

Promec

F I T T I N G S

MOULD CONCEPTS



DAHANAN

Tel: +31 (315) 23 11 14

www.dahanan.eu



PlaSteel
group

Innesti rapidi per acqua, acqua pressurizzata, aria, olio; raccordi, componenti per raccordatura tubi, tubi flessibili, piastre multi-connesione, distributori, macchine e attrezzature per collaudo e pulizia circuiti di termoregolazione, sistemi digitali di controllo capillare portate e temperatura.

Quick couplings for water, pressurized, air and oil; fittings, components for hose clamping, hoses, piping, multi-coupling plates, manifolds, machines and accessories for mould cooling test and cleaning, cooling multi-channel flow and temperature monitoring systems.

www.promecfittings.com

Cat_08.01-2026

**CONNESSIONI RAPIDE
QUICK COUPLINGS**



7

**TAPPI E RACCORDI
PLUGS & FITTINGS**



111

**RACCORDATURA TUBI
HOSE FITTINGS**



135

**DEVIAZIONE FLUSSO
FLOW DIVERTING**



159

**TUBI FLESSIBILI
FLEXIBLE HOSES**



171

**SISTEMI PER TUBI RIGIDI
STEEL PIPING SYSTEMS**



195

**DISTRIBUTORI SEMPLICI
SIMPLE MANIFOLDS**



209

**DISTRIBUTORI ALLESTITI
ASSEMBLED MANIFOLDS**



221

**VALVOLE A SFERA
BALL VALVES**



237

**CONTROLLO FLUSSO
FLOW CONTROL**



245

**ATTREZZATURE E ACCESSORI
EQUIPEMENTS AND
ACCESSORIES**



263



Plasteel group

Plasteel Group nasce dalla passione per la ricerca dell'eccellenza volta a soddisfare al meglio ogni singola esigenza del nostro cliente.

Ranco: normalizzati ed elementi di guida per plastica e lamiera, autolubrificanti, componenti ingegnerizzati, particolari lavorati a disegno.

iHR: sistemi di iniezione e centraline di controllo per stampi a iniezione plastica, lavorazioni meccaniche di precisione.

Tecnostar Group: portastampi serie Europa, utensileria meccanica.

Technology & Solutions: macchine Laser e accessori per saldatura, taglio, tempra, cladding, incisione e marcatura.

Promec Fittings: innesti rapidi, raccordi, tubi flessibili, collettori specifici per il mondo del condizionamento degli stampi iniezione

Plasteel Group was born thanks to the passion for the pursuit of excellence in order to satisfy every single customer's need in the best way.

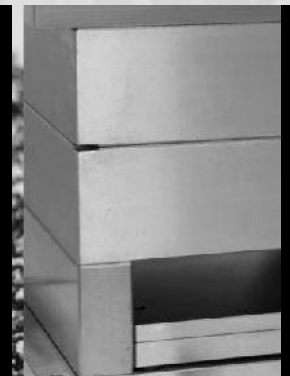
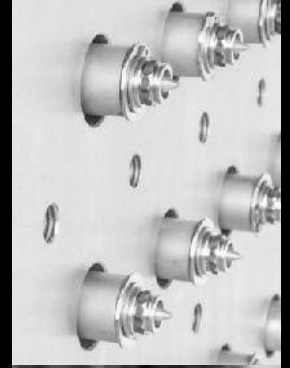
Ranco: standard parts and guiding elements for injection moulds and die sets, self-lubricating and engineered components, customized parts.

iHR: manufacturing, sale and servicing of injection systems and control units for plastic injection moulds, precision mechanics machining.

Tecnostar Group: European Series mould bases, mechanical tools.

Technology & Solutions: laser machines and welding accessories, cutting, hardening, cladding, engraving and marking.

Promec Fittings: hydraulic quick couplings, fittings, flexible hoses, manifolds, thermoregulation technology for moulds and injection machines.



Promec

F I T T I N G S



Promec è specializzata nella fornitura di componenti per connessioni di aria, acqua, acqua e additivi, olio a bassa pressione ed olio ad alta pressione (oleodinamica).

Specializzazione basata su oltre vent'anni di esperienza, ampiezza di gamma, possibilità di esecuzioni speciali e rapidi tempi di risposta e consegna sono i nostri punti di forza per la piena soddisfazione di tutti i soggetti coinvolti nella progettazione, costruzione ed utilizzo degli stampi e di molteplici applicazioni industriali.

Raccordi, innesti rapidi dei più svariati standard di uso comune, tubi flessibili per temperature da 60 a 260°C, distributori e multi-connessione.

Promec is a specialized supplier of a wide range of components for low- and high-pressure quick couplings of the main Standards, fittings, flexible hoses, manifold, flow-regulators, thermoregulation, ball valves, and many other specific accessories. Applications with compressed air, water, pressurized water, mineral oil and diathermic oil. Temperature from +60 to +260°C; pressure up to 400 Bar.

Our competence is based on over 25 years of experience in the fluid technology applied on injection moulds, pre-sale and after sale service, fast delivery time are our skills.



<p>9 PC1100 STANDARD EUROPA EUROPEAN STANDARD</p>		<p>21 PC1200 STD. INTERNAZIONALE INTERNATIONAL STD.</p>
<p>33 PC1300 STD. FRANCESE FRENCH STD.</p>		<p>39 PC1500 STD. FRANCESE FRENCH STD.</p>
<p>47 PC1600 STANDARD ITALIANO ITALIAN STANDARD</p>		<p>51 PC1700 STANDARD ITALIANO ITALIAN STANDARD</p>
<p>55 PC1800 INNESTI PORTATE ELEVATE HIGH FLOW COUPLINGS</p>		<p>57 PC2900 CAMLOCK</p>
<p>60 PH1260 ISO7241-B OTTONE BRASS ISO7241-B</p>		<p>61 PH1210 INNESTI RAPIDI ISO7241-A ISO7241-A QUICK COUPLINGS</p>
<p>62 PH1220 INNESTI RAPIDI ISO7241-B ISO7241-B QUICK COUPLINGS</p>		<p>63 PH1250 INNESTI ALTA PRESSIONE STD. ITALIA - ITALIAN STD. HIGH PRESSURE COUPLINGS</p>
<p>64 PH1230 INNESTI RAPIDI ISO16028 ISO16028 QUICK COUPLINGS</p>		<p>65 PH1240 INNESTI ALTA PRESSIONE HIGH PRESSURE COUPLINGS</p>
<p>67 PA1600 SUPER RAPIDI OTTONE BRASS ULTRA RAPID</p>		<p>73 PA1300 INNESTI A CALZAMENTO PUSH-IN COUPLINGS</p>
<p>81 PM1600 PIASTRE MULTI CONNESSIONE PER ACQUA - WATER MULTI-COUPLING PLATES</p>		<p>84 PM1300 PIASTRE MULTI- CONNESSIONE PER ACQUA - WATER MULTI- COUPLING PLATES</p>
<p>100 PM0115 MULTI-CONNESSIONE ALTA PRESSIONE HIGH PRESSURE MULTI- COUPLING</p>		<p>104 PM0108 MULTI-CONNESSIONE ALTA PRESSIONE HIGH PRESSURE MULTI-COUPLING</p>



PC1100

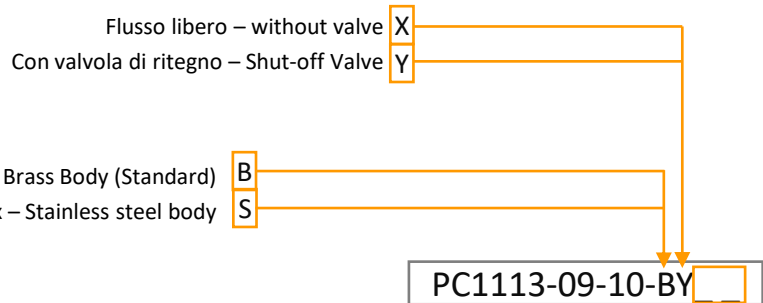
Innesti rapidi standard Europa, intercambiabili con altri marchi con la stessa denominazione o profilo. Utilizzabili con acqua, acqua pressurizzata fino a 150°C o con olio diatermico fino a 200°C. Pressione massima di esercizio 15 Bar. Con la versione Temp-Secure® possibilità di utilizzo con acqua pressurizzata fino a 180°C ed olio diatermico a 220°C.

European Standard Quick couplings, fully interchangeable with other brands with the same plug profile. Can be used with water, pressurized water up to 150°C or diathermic oil up to 200°C. If selected Temp-Secure® version it can be used with steam up to 180°C and diathermic oil up-to 220°C.

CARATTERISTICHE COSTRUTTIVE – CONSTRUCTION FEATURES

Corpo – Socket Body	Ottone – Brass (Acciaio Inox opzionale - Stainless Steel Option)
Ghiera – Sleeve	Ottone; ottone nichelato per versione senza valvola – Brass; Nikel Plated Brass for version without valve (Acciaio Inox opzionale - Stainless Steel Option)
Valvola – Valve	Ottone – Brass
Molle – Springs	Acciaio Inox – Stainless Steel
Sfere – Balls	Acciaio Inox – Stainless Steel
Nipplo – Nipple	Ottone – Brass (Acciaio Inox opzionale - Stainless Steel Option)
Standard O-Rings	FKM (FKMH opzionale – FKM Opional)

OPTIONALS



Sfondo ottone giallo = disconnesso
Yellow brass background = disconnected

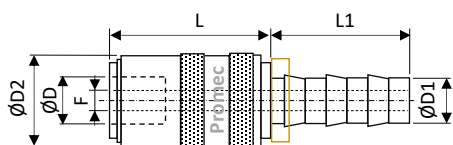


Sfondo verde = connesso
Green background = connected

PER APPLICAZIONI CON ACQUA PRESSURIZZATA O VAPORE FINO A 180°C AGGIUNGERE «TH-T» IN FONDO AL CODICE. L'INNESTO SARA' DOTATO DI GUARNIZIONI SPECIALI E SISTEMA DI BLOCCAGGIO DI SICUREZZA.

FOR APPLICATION WITH PRESSURIZED WATER OR STEAM UP TO 180°C ADD THE CODE «TH-T» IN THE END. IN THIS CASE THE SOCKET WILL BE EQUIPPED WITH SPECIAL SEALS AND A SAFE-LOCK SYSTEM.

PC1101 INNESTO RAPIDO CON PORTA-GOMMA EASY-LOCK - EASY-LOCK HOSE STEM SOCKET

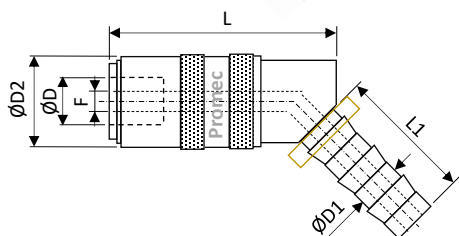


Codice-Code | misura size | ØD | ØD1 | ØD2 | ØF | L | L1

Senza valvola - without valve

	PC1101-09-06-BX	9	9	6.3	17	4.7	30.5	28
stock	PC1101-09-10-BX	9	9	9.5	17	6	30.5	28
	PC1101-13-10-BX	13	13	9.5	22	7	36.5	28
stock	PC1101-13-13-BX	13	13	12.7	22	9	36.5	28
	PC1101-19-16-BX	19	19	16	31	13	58	38
stock	PC1101-19-19-BX	19	19	19	31	13	58	38
	Con valvola - with valve							
	PC1101-09-06-BY	9	9	6.3	17	4.7	30.5	28
stock	PC1101-09-10-BY	9	9	9.5	17	6	30.5	28
	PC1101-13-10-BY	13	13	9.5	22	7	36.5	28
stock	PC1101-13-13-BY	13	13	12.7	22	9	36.5	28
	PC1101-19-16-BY	19	19	16	31	13	58	38
stock	PC1101-19-19-BY	19	19	19	31	13	58	38

PC1105 INNESTO RAPIDO CON PORTA-GOMMA EASY-LOCK 45° - 45° EASY-LOCK HOSE STEM SOCKET

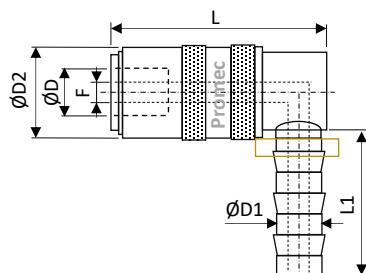
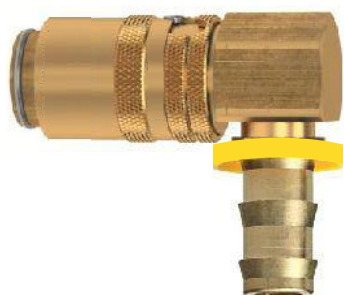


Codice-Code | misura size | ØD | ØD1 | ØD2 | ØF | L | L1

Senza valvola - without valve

	PC1105-09-06-BX	9	9	6.3	17	4.7	42.5	33
stock	PC1105-09-10-BX	9	9	9.5	17	6	42.5	33
	PC1105-13-10-BX	13	13	9.5	22	7	51	33
stock	PC1105-13-13-BX	13	13	12.7	22	9	51	33
	PC1105-19-16-BX	19	19	16	31	13	82	38
	Con valvola - with valve							
	PC1105-09-06-BY	9	9	6.3	17	4.7	42.5	33
stock	PC1105-09-10-BY	9	9	9.5	17	6	42.5	33
	PC1105-13-10-BY	13	13	9.5	22	7	51	33
stock	PC1105-13-13-BY	13	13	12.7	22	9	51	33
	PC1105-19-16-BY	19	19	16	31	13	82	38

PC1109 INNESTO RAPIDO CON PORTA-GOMMA EASY-LOCK 90° - 90° EASY-LOCK HOSE STEM SOCKET



Codice-Code | misura size | ØD | ØD1 | ØD2 | ØF | L | L1

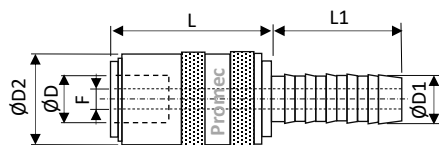
Senza valvola - without valve

	PC1109-09-06-BX	9	9	6.3	17	4.7	42.5	28
stock	PC1109-09-10-BX	9	9	9.5	17	6	42.5	28
	PC1109-13-10-BX	13	13	9.5	22	7	51	33
stock	PC1109-13-13-BX	13	13	12.7	22	9	51	33
	PC1109-19-16-BX	19	19	16	31	13	82	38
	Con valvola - with valve							
	PC1109-09-06-BY	9	9	6.3	17	4.7	42.5	28
stock	PC1109-09-10-BY	9	9	9.5	17	6	42.5	28
	PC1109-13-10-BY	13	13	9.5	22	7	51	33
stock	PC1109-13-13-BY	13	13	12.7	22	9	51	33
	PC1109-19-16-BY	19	19	16	31	13	82	38



ANELLO COLORATO IN PLASTICA PER PORTA-GOMMA EASYLOCK vedere a pag. 20
 COLORED PLASTIC RING FOR EASY-LOCK HOSE STEM see at page 20

PC1103 INNESTO RAPIDO CON PORTA-GOMMA - HOSE STEM SOCKET



Codice-Code	misura size	ØD	ØD1	ØD2	ØF	L	L1
-------------	-------------	----	-----	-----	----	---	----

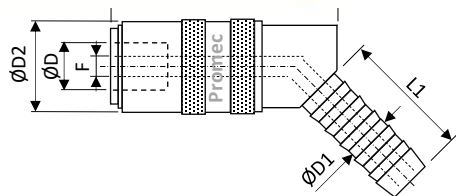
Senza valvola - without valve

PC1103-09-06-BX	9	9	6	17	5	30.5	22.5
stock PC1103-09-09-BX	9	9	9	17	6	30.5	22.5
PC1103-09-13-BX	9	9	13	17	6	30.5	25
stock PC1103-13-09-BX	13	13	9	22	7	36.5	25
stock PC1103-13-13-BX	13	13	13	22	9	36.5	25
stock PC1103-19-19-BX	19	19	19	31	13	58	34

Con valvola - with valve

PC1103-09-06-BY	9	9	6	17	5	30.5	22.5
stock PC1103-09-09-BY	9	9	9	17	6	30.5	22.5
PC1103-09-13-BY	9	9	13	17	6	30.5	25
stock PC1103-13-09-BY	13	13	9	22	7	36.5	25
stock PC1103-13-13-BY	13	13	13	22	9	36.5	25
stock PC1103-19-19-BY	19	19	19	31	13	58	34

PC1107 INNESTO RAPIDO CON PORTA-GOMMA 45° - 45° HOSE STEM SOCKET



Codice-Code	misura size	ØD	ØD1	ØD2	ØF	L	L1
-------------	-------------	----	-----	-----	----	---	----

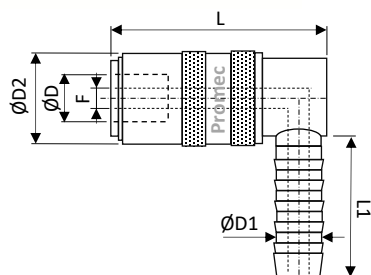
Senza valvola - without valve

PC1107-09-06-BX	9	9	6	17	5	42.5	25.5
PC1107-09-09-BX	9	9	9	17	6	42.5	25.5
PC1107-13-09-BX	13	13	9	22	7	51	30
PC1107-13-13-BX	13	13	13	22	9	51	30
PC1107-19-19-BX	19	19	19	31	13	78	36

Con valvola - with valve

PC1107-09-06-BY	9	9	6	17	5	42.5	25.5
PC1107-09-09-BY	9	9	9	17	6	42.5	25.5
PC1107-13-09-BY	13	13	9	22	7	51	30
PC1107-13-13-BY	13	13	13	22	9	51	30
PC1107-19-19-BY	19	19	19	31	13	78	36

PC1111 INNESTO RAPIDO CON PORTA-GOMMA 90° - 90° HOSE STEM SOCKET



Codice-Code	misura size	ØD	ØD1	ØD2	ØF	L	L1
-------------	-------------	----	-----	-----	----	---	----

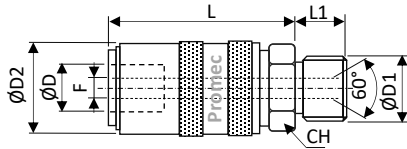
Senza valvola - without valve

PC1111-09-06-BX	9	9	6	17	5	42.5	25.5
stock PC1111-09-09-BX	9	9	9	17	6	42.5	25.5
PC1111-13-09-BX	13	13	9	22	7	51	30
stock PC1111-13-13-BX	13	13	13	22	9	51	30
stock PC1111-19-19-BX	19	19	19	31	13	78	34

Con valvola - with valve

PC1111-09-06-BY	9	9	6	17	5	42.5	22.5
stock PC1111-09-09-BY	9	9	9	17	6	42.5	22.5
PC1111-13-09-BY	13	13	9	22	7	51	30
stock PC1111-13-13-BY	13	13	13	22	9	51	30
stock PC1111-19-19-BY	19	19	19	31	13	78	34

PC1113 INNESTO RAPIDO CON FILETTO MASCHIO BSPP- BSPP MALE THREAD SOCKET



Cono interno DIN 3863
inner cone DIN3863

Codice-Code	misura size	CH	ØD	ØD1	ØD2	ØF	L	L1
-------------	-------------	----	----	-----	-----	----	---	----

Senza valvola - without valve

stock	PC1113-09-G14-BX	9	17	9	G 1/4"	17	6	39	11
	PC1113-09-M10-BX	9	17	9	M10x1	17	6	39	7
	PC1113-09-M14-BX	9	17	9	M14x1.5	17	6	39	11
stock	PC1113-13-G38-BX	13	22	13	G 3/8"	22	9	43	11
	PC1113-13-G12-BX	13	22	13	G 1/2"	22	9	43	14
	PC1113-13-M14-BX	13	22	13	M14x1.5	22	9	45	11
	PC1113-13-M16-BX	13	22	13	M16x1.5	22	9	43	9
	PC1113-13-M18-BX	13	22	13	M18x1.5	22	9	43	11
	PC1113-19-G12-BX	19	30	19	G 1/2"	31	13	62	12
	PC1113-19-G34-BX	19	30	19	G 3/4"	31	13	62	16
	PC1113-19-M24-BX	19	30	19	M24x1.5	31	13	62	16

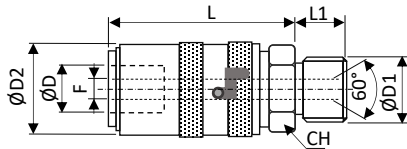
Con valvola - with valve

stock	PC1113-09-G14-BY	9	17	9	G 1/4"	17	6	39	11
	PC1113-09-M10-BY	9	17	9	M10x1	17	6	39	7
	PC1113-09-M14-BY	9	17	9	M14x1.5	17	6	39	11
stock	PC1113-13-G38-BY	13	22	13	G 3/8"	22	9	43	11
	PC1113-13-G12-BY	13	22	13	G 1/2"	22	9	43	14
	PC1113-13-M14-BY	13	22	13	M14x1.5	22	9	45	11
	PC1113-13-M16-BY	13	22	13	M16x1.5	22	9	43	9
	PC1113-13-M18-BY	13	22	13	M18x1.5	22	9	43	11
	PC1113-19-G12-BY	19	30	19	G 1/2"	31	13	62	12
	PC1113-19-G34-BY	19	30	19	G 3/4"	31	13	62	16
	PC1113-19-M24-BY	19	30	19	M24x1.5	31	13	62	16

PC1113 INNESTO RAPIDO CON FILETTO MASCHIO BSPP TEMP-SECURE® ALTA TEMPERATURA
TEMP-SECURE® HIGH TEMPERATURE BSPP MALE THREAD SOCKET

LUDECKE

Since 1930. The perfect connection.



Cono interno DIN 3863
inner cone DIN3863

Codice-Code	misura size	CH	ØD	ØD1	ØD2	ØF	L	L1
-------------	-------------	----	----	-----	-----	----	---	----

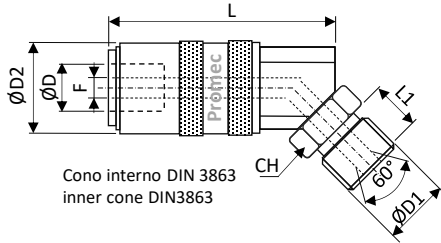
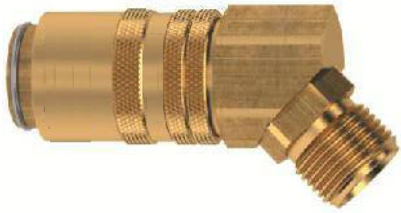
Senza valvola - without valve

stock	PC1113-09-G14-BXTH-T	9	17	9	G 1/4"	18	6	47	11
	PC1113-09-G38-BXTH-T	9	19	9	G 3/8"	18	6	46	11
	PC1113-09-M14-BXTH-T	9	17	9	M14x1.5	18	6	47	11
	PC1113-09-M16-BXTH-T	9	19	9	M16x1.5	18	6	46	11
	PC1113-13-G14-BXTH-T	13	22	13	G 1/4"	22	9	43.5	12.5
stock	PC1113-13-G38-BXTH-T	13	22	13	G 3/8"	22	9	43.5	12.5
	PC1113-13-M16-BXTH-T	13	22	13	M16x1.5	22	9	43.5	12.5
	PC1113-13-M18-BXTH-T	13	22	13	M18x1.5	22	9	43.5	12.5
	PC1113-19-G12-BXTH-T	19	30	19	G 1/2"	31	13	63	15
	PC1113-19-G34-BXTH-T	19	30	19	G 3/4"	31	13	64	16
	PC1113-19-M24-BXTH-T	19	30	19	M24x1.5	31	13	64	16

Con valvola - with valve

stock	PC1113-09-G14-BYTH-T	9	17	9	G 1/4"	18	6	47	11
	PC1113-09-G38-BYTH-T	9	19	9	G 3/8"	18	6	46	11
	PC1113-09-M14-BYTH-T	9	17	9	M14x1.5	18	6	47	11
	PC1113-09-M16-BYTH-T	9	19	9	M16x1.5	18	6	46	11
	PC1113-13-G14-BYTH-T	13	22	13	G 1/4"	22	9	43.5	12.5
stock	PC1113-13-G38-BYTH-T	13	22	13	G 3/8"	22	9	43.5	12.5
	PC1113-13-M16-BYTH-T	13	22	13	M16x1.5	22	9	43.5	12.5
	PC1113-13-M18-BYTH-T	13	22	13	M18x1.5	22	9	43.5	12.5
	PC1113-19-G12-BYTH-T	19	30	19	G 1/2"	31	13	63	15
	PC1113-19-G34-BYTH-T	19	30	19	G 3/4"	31	13	64	16
	PC1113-19-M24-BYTH-T	19	30	19	M24x1.5	31	13	64	16

PC1115 INNESTO RAPIDO CON FILETTO MASCHIO BSPP 45° - BSPP 45° MALE THREAD SOCKET



Codice-Code	misura size	ØD	ØD1	ØD2	ØF	L	L1	CH
-------------	-------------	----	-----	-----	----	---	----	----

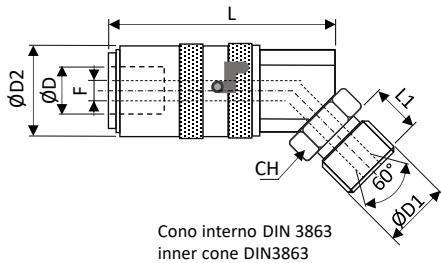
Senza valvola - without valve

PC1115-09-G14-BX	9	9	G 1/4"	17	6	47	9	17
PC1115-09-M14-BX	9	9	M14x1.5	17	6	47	9	17
PC1115-13-G38-BX	13	13	G 3/8"	22	9	54	11	22
PC1115-13-M14-BX	13	13	M14x1.5	22	9	54	11	22
PC1115-13-M16-BX	13	13	M16x1.5	22	9	54	9	22
PC1115-19-G34-BX	19	19	G 3/4"	31	13	81	18	30
PC1115-19-M24-BX	19	19	M24x1.5	31	13	81	18	30

Con valvola - with valve

PC1115-09-G14-BY	9	9	G 1/4"	17	6	47	9	17
PC1115-09-M14-BY	9	9	M14x1.5	17	6	47	9	17
PC1115-13-G38-BY	13	13	G 3/8"	22	9	54	11	22
PC1115-13-M14-BY	13	13	M14x1.5	22	9	54	11	22
PC1115-13-M16-BY	13	13	M16x1.5	22	9	54	9	22
PC1115-19-G34-BY	19	19	G 3/4"	31	13	81	18	30
PC1115-19-M24-BY	19	19	M24x1.5	31	13	81	18	30

PC1115 INNESTO RAPIDO CON FILETTO MASCHIO BSPP 45° TEMP-SECURE® ALTA TEMPERATURA TEMP-SECURE® HIGH TEMPERATURE 45° BSPP MALE THREAD SOCKET



Codice-Code	misura size	ØD	ØD1	ØD2	ØF	L	L1	CH
-------------	-------------	----	-----	-----	----	---	----	----

Senza valvola - without valve

PC1115-09-G14-BXTH-T	9	9	G 1/4"	18	6	52	11	17
PC1115-09-G38-BXTH-T	9	9	G 3/8"	18	6	52	11	17
PC1115-09-M14-BXTH-T	9	9	M14x1.5	18	6	52	11	17
PC1115-13-G14-BXTH-T	13	13	G 1/4"	22	9	55	12	22
PC1115-13-G38-BXTH-T	13	13	G 3/8"	22	9	55	12	22
PC1115-13-M16-BXTH-T	13	13	M16x1.5	22	9	55	12	22
PC1115-19-G12-BXTH-T	19	19	G 1/2"	32.5	13	81	16	30
PC1115-19-G34-BXTH-T	19	19	G 3/4"	32.5	13	81	16	30
PC1115-19-M24-BXTH-T	19	19	M24x1.5	32.5	13	81	17	30

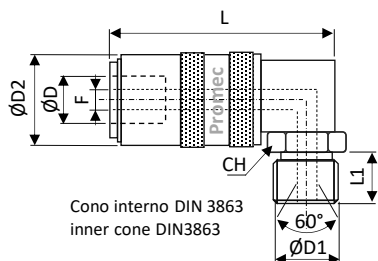
Con valvola - with valve

PC1115-09-G14-BYTH-T	9	9	G 1/4"	18	6	52	11	17
PC1115-09-G38-BYTH-T	9	9	G 3/8"	18	6	52	11	17
PC1115-09-M14-BYTH-T	9	9	M14x1.5	18	6	52	11	17
PC1115-13-G14-BYTH-T	13	13	G 1/4"	22	9	55	12	22
PC1115-13-G38-BYTH-T	13	13	G 3/8"	22	9	55	12	22
PC1115-13-M16-BYTH-T	13	13	M16x1.5	22	9	55	12	22
PC1115-19-G12-BYTH-T	19	19	G 1/2"	32.5	13	81	16	30
PC1115-19-G34-BYTH-T	19	19	G 3/4"	32.5	13	81	16	30
PC1115-19-M24-BYTH-T	19	19	M24x1.5	32.5	13	81	17	30

LUDECKE

Since 1930. The perfect connection.

PC1117 INNESTO RAPIDO CON FILETTO MASCHIO BSPP 90° - BSPP 90° MALE THREAD SOCKET



Codice-Code	misura size	CH	ØD	ØD1	ØD2	ØF	L	L1
-------------	-------------	----	----	-----	-----	----	---	----

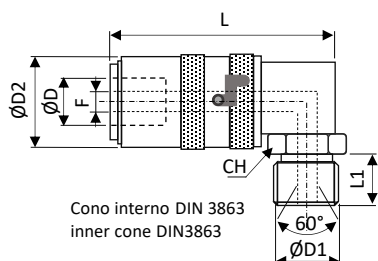
Senza valvola - without valve

PC1117-09-G14-BX	9	17	9	G 1/4"	17	6	47	9
PC1117-09-M14-BX	9	17	9	M14x1.5	17	6	47	9
PC1117-13-G38-BX	13	22	13	G 3/8"	22	9	54	11
PC1117-13-M14-BX	13	22	13	M14x1.5	22	9	56	11
PC1117-13-M16-BX	13	22	13	M16x1.5	22	9	54	9
PC1117-19-G34-BX	19	30	19	G 3/4"	31	13	81	18
PC1117-19-M24-BX	19	30	19	M24x1.5	31	13	81	18

Con valvola - with valve

PC1117-09-G14-BY	9	17	9	G 1/4"	17	6	47	9
PC1117-09-M14-BY	9	17	9	M14x1.5	17	6	47	9
PC1117-13-G38-BY	13	22	13	G 3/8"	22	9	54	11
PC1117-13-M14-BY	13	22	13	M14x1.5	22	9	56	11
PC1117-13-M16-BY	13	22	13	M16x1.5	22	9	54	9
PC1117-19-G34-BY	19	30	19	G 3/4"	31	13	81	18
PC1117-19-M24-BY	19	30	19	M24x1.5	31	13	81	18

PC1117 INNESTO RAPIDO CON FILETTO MASCHIO BSPP 90° TEMP-SECURE® ALTA TEMPERATURA
 TEMP-SECURE® HIGH TEMPERATURE 90° BSPP MALE THREAD SOCKET



Codice-Code	misura size	CH	ØD	ØD1	ØD2	ØF	L	L1
-------------	-------------	----	----	-----	-----	----	---	----

Senza valvola - without valve

PC1117-09-G14-BXTH-T	9	17	9	G 1/4"	18	6	52	11
PC1117-09-G38-BXTH-T	9	17	9	G 3/8"	18	6	52	11
PC1117-09-M14-BXTH-T	9	17	9	M14x1.5	18	6	52	11
PC1117-09-M16-BXTH-T	9	17	9	M16x1.5	18	6	52	11
PC1117-13-G14-BXTH-T	13	22	13	G 1/4"	23.5	9	55	12.5
PC1117-13-G38-BXTH-T	13	22	13	G 3/8"	23.5	9	55	12.5
PC1117-13-M16-BXTH-T	13	22	13	M16x1.5	23.5	9	55	10
PC1117-19-G12-BXTH-T	19	30	19	G 1/2"	32.5	13	81	16
PC1117-19-G34-BXTH-T	19	30	19	G 3/4"	32.5	13	81	16
PC1117-19-M24-BXTH-T	19	30	19	M24x1.5	32.5	13	81	17

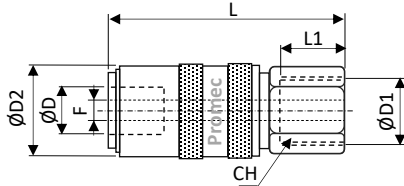
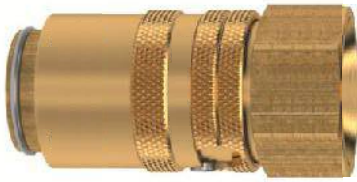
Con valvola - with valve

PC1117-09-G14-BYTH-T	9	17	9	G 1/4"	18	6	52	11
PC1117-09-G38-BYTH-T	9	17	9	G 3/8"	18	6	52	11
PC1117-09-M14-BYTH-T	9	17	9	M14x1.5	18	6	52	11
PC1117-09-M16-BYTH-T	9	17	9	M16x1.5	18	6	52	11
PC1117-13-G14-BYTH-T	13	22	13	G 1/4"	23.5	9	55	12.5
PC1117-13-G38-BYTH-T	13	22	13	G 3/8"	23.5	9	55	12.5
PC1117-13-M16-BYTH-T	13	22	13	M16x1.5	23.5	9	55	10
PC1117-19-G12-BYTH-T	19	30	19	G 1/2"	32.5	13	81	16
PC1117-19-G34-BYTH-T	19	30	19	G 3/4"	32.5	13	81	16
PC1117-19-M24-BYTH-T	19	30	19	M24x1.5	32.5	13	81	17

LUDECKE

Since 1930. The perfect connection.

PC1119 INNESTO RAPIDO CON FILETTO FEMMINA BSPP - BSPP FEMALE THREAD SOCKET



Codice-Code	misura size	CH	ØD	ØD1	ØD2	ØF	L	L1
-------------	-------------	----	----	-----	-----	----	---	----

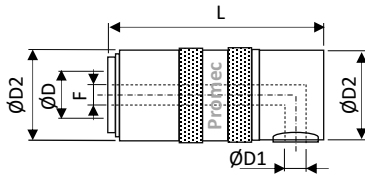
Senza valvola - without valve

PC1119-09-G14-BX	9	17	9	G 1/4"	17	6	41.5	9
PC1119-09-G38-BX	9	21	9	G 3/8"	17	6	42	9
PC1119-09-M10-BX	9	17	9	M10x1	17	6	41.5	9
PC1119-09-M14-BX	9	17	9	M14x1.5	17	6	41.5	9
PC1119-13-G14-BX	13	17	13	G 1/4"	22	9	44.5	9
PC1119-13-G38-BX	13	22	13	G 3/8"	22	9	46	9
PC1119-13-G12-BX	13	24	13	G 1/2"	22	9	49	12
PC1119-19-G34-BX	19	33	19	G 3/4"	31	13	78	16

Con valvola - with valve

PC1119-09-G14-BY	9	17	9	G 1/4"	17	6	41.5	9
PC1119-09-G38-BY	9	21	9	G 3/8"	17	6	42	9
PC1119-09-M10-BY	9	17	9	M10x1	17	6	41.5	9
PC1119-09-M14-BY	9	17	9	M14x1.5	17	6	41.5	9
PC1119-13-G14-BY	13	17	13	G 1/4"	22	9	44.5	9
PC1119-13-G38-BY	13	22	13	G 3/8"	22	9	46	9
PC1119-13-G12-BY	13	24	13	G 1/2"	22	9	49	12
PC1119-19-G34-BY	19	33	19	G 3/4"	31	13	78	16

PC1131 INNESTO RAPIDO PER PONTE – BRIDGE SOCKET



Codice-Code	misura size	CH	ØD	ØD1	ØD2	ØF	L
-------------	-------------	----	----	-----	-----	----	---

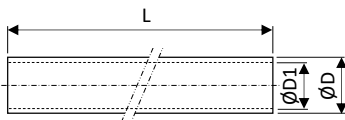
Senza valvola - without valve

PC1131-09-08-BX	9	-	9	8	17	6	43
PC1131-13-10-BX	13	-	13	10	22	8	53
PC1131-19-14-BX	19	-	19	14	31	12	80

Con valvola - with valve

PC1131-09-08-BY	9	-	9	8	17	6	43
PC1131-13-10-BY	13	-	13	10	22	8	53
PC1131-19-14-BY	19	-	19	14	31	12	80

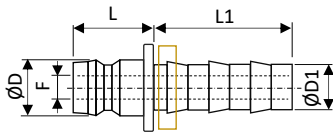
PC1190 TUBO LISCIO PER PONTE - STRAIGHT TUBE FOR BRIDGE



Codice-Code	misura size	CH	ØD	ØD1	ØD2	ØF	L
-------------	-------------	----	----	-----	-----	----	---

PC1190-08-06-250-B-T	8	-	8	6	-	6	250
PC1190-08-06-500-B-T	8	-	8	6	-	6	500
PC1190-10-08-250-B-T	10	-	10	8	-	8	250
PC1190-10-08-500-B-T	10	-	10	8	-	8	500
PC1190-14-12-500-B-T	14	-	14	12	-	12	500

PC1102 NIPPLO CON PORTAGOMMA EASY-LOCK - EASY-LOCK HOSE STEM PLUG

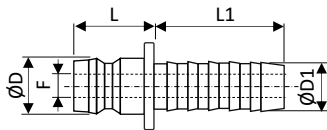


Codice-Code	misura size	CH	ØD	ØD1	ØF	L	L1
-------------	-------------	----	----	-----	----	---	----

Senza valvola - without valve

PC1102-09-06-B-T	9	-	9	6,3	5	44	28
PC1102-09-10-B-T	9	-	9	9,5	6	44	28
PC1102-13-10-B-T	13	-	13	9,5	7	43,5	28
PC1102-13-13-B-T	13	-	13	12,7	9	43,5	28
PC1102-19-16-B-T	19	-	19	16	13	67	38
PC1102-19-19-B-T	19	-	19	19	13	67	38

PC1104 NIPPLO CON PORTAGOMMA STANDARD - STANDARD HOSE STEM PLUG

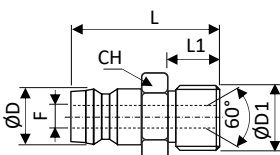


Codice-Code	misura size	CH	ØD	ØD1	ØF	L	L1
-------------	-------------	----	----	-----	----	---	----

Senza valvola - without valve

PC1104-09-06-B-T	9	-	9	6	5	39,5	22,5
PC1104-09-09-B-T	9	-	9	9	6	39,5	22,5
PC1104-09-13-B-T	9	-	9	13	7	39,5	22,5
PC1104-13-09-B-T	13	-	13	9	7	39,5	22,5
PC1104-13-13-B-T	13	-	13	13	9	39,5	25
PC1104-19-13-B-T	19	-	19	13	9	54	25
PC1104-19-19-B-T	19	-	19	19	13	63	34

PC1114 NIPPLO FILETTO MASCHIO BSPP OTTONE GIALLO TEFLONATO
YELLOW BRASS PLUG WITH BSPP MALE TAPERED THREAD



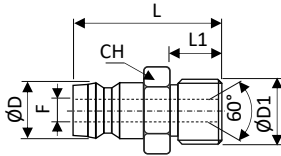
Cono interno DIN 3863
inner cone DIN3863

Codice-Code	misura size	CH	ØD	ØD1	ØF	L	L1
-------------	-------------	----	----	-----	----	---	----

Senza valvola - without valve

stock PC1114-09-G18-B	9	11	9	G1/8"	5	24	7
stock PC1114-09-G14-B	9	15	9	G1/4"	6	26	9
stock PC1114-13-G14-B	13	15	13	G1/4"	6	26	9
stock PC1114-13-G38-B	13	17	13	G3/8"	9	26	9
PC1114-13-G12-B	13	22	13	G1/2"	9	30	12

PC1114 NIPPO OTTONE GIALLO FILETTO MASCHIO - YELLOW BRASS THREAD PLUG

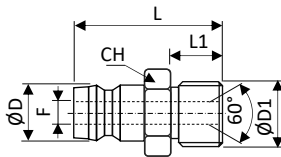


Cono interno DIN 3863
inner cone DIN3863

	Codice-Code	misura size	CH	ØD	ØD1	ØF	L	L1
	Senza valvola - without valve							
stock	PC1114-09-G18-B-E	9	11	9	G1/8"	5	24	7
stock	PC1114-09-G14-B-E	9	15	9	G1/4"	6	26	9
	PC1114-09-G38-B-E	9	17	9	G3/8"	6	26	9
	PC1114-09-M8-B-E	9	11	9	M8x0.75	4.5	24	7
	PC1114-09-M10-B-E	9	11	9	M10x1	6	24	7
	PC1114-09-M14-B-E	9	15	9	M14x1.5	6	26	9
	PC1114-13-G18-B-E	13	15	13	G1/8"	5	24	7
stock	PC1114-13-G14-B-E	13	15	13	G1/4"	6	26	9
stock	PC1114-13-G38-B-E	13	17	13	G3/8"	9	26	9
	PC1114-13-G12-B-E	13	21	13	G1/2"	9	30	12
	PC1114-13-M10-B-E	13	15	13	M10x1	6.5	26	9
	PC1114-13-M14-B-E	13	15	13	M14x1.5	9	26	9
	PC1114-13-M16-B-E	13	17	13	M16x1.5	9	26	9
stock	PC1114-19-G12-B-E	19	22	19	G1/2"	13	47	12
stock	PC1114-19-G34-B-E	19	27	19	G3/4"	13	51	16
	PC1114-19-M24-B-E	19	27	19	M24x1.5	13	51	16

PC1114 NIPPO FILETTO MASCHIO BSPP OTTONE NICHELATO NIKEL PLATED BRASS PLUG WITH BSPP MALE THREAD

Versione con valvola raccomandata per temperatura superiore a 100°C
Recommended version for temperature higher than 100°C if used with valve

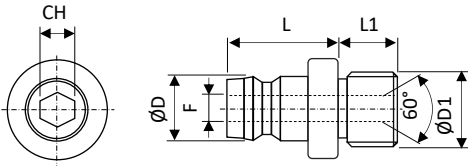


Cono interno DIN 3863
inner cone DIN3863

	Codice-Code	misura size	CH	ØD	ØD1	ØF	L	L1
	Senza valvola - without valve							
stock	PC1114-09-G18-B-T	9	11	9	G1/8"	6	24	7
stock	PC1114-09-G14-B-T	9	15	9	G1/4"	6	26	9
	PC1114-09-G38-B-T	9	17	9	G3/8"	6	27	9
	PC1114-09-M10-B-T	9	11	9	M10x1	6	24	7
	PC1114-09-M14-B-T	9	15	9	M14x1.4	6	26	9
	PC1114-13-G18-B-T	13	15	13	G1/8"	6	24	7
stock	PC1114-13-G14-B-T	13	15	13	G1/4"	9	26	9
stock	PC1114-13-G38-B-T	13	17	13	G3/8"	9	26	9
	PC1114-13-G12-B-T	13	22	13	G1/2"	9	31	12
	PC1114-13-G34-B-T	13	27	13	G3/4"	9	35	16
	PC1114-19-G12-B-T	19	22	19	G1/2"	13	47	12
	PC1114-19-G34-B-T	19	27	19	G3/4"	13	51	16
	Con valvola - with valve							
stock	PC1114-09-G18-BYV-T	9	15	9	G1/8"	6	36	8
stock	PC1114-09-G14-BYV-T	9	15	9	G1/4"	6	29	12
	PC1114-09-G38-BYV-T	9	17	9	G3/8"	6	30	12
	PC1114-09-M14-BYV-T	9	15	9	M14x1.5	6	29	12
stock	PC1114-13-G14-BYV-T	13	15	13	G1/4"	6	30	11
stock	PC1114-13-G38-BYV-T	13	17	13	G3/8"	9	31	12
	PC1114-13-G12-BYV-T	13	22	13	G1/2"	9	31	12
	PC1114-19-G12-BYV-T	19	22	19	G1/2"	13	47	12
	PC1114-19-G34-BYV-T	19	27	19	G3/4"	13	51	16

Per Inox sostituire «B» con «S» - For Stainless steel replace «B» with «S»

PC1116 NIPPO FILETTO MASCHIO BSPP ESAGONO INTERNO - BSPP MALE THREAD INT. HEXAGON PLUG



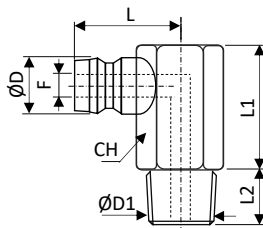
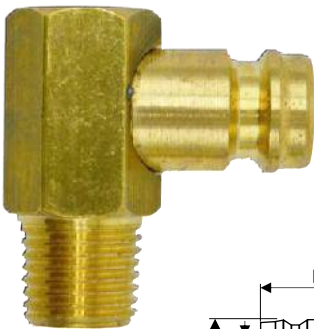
Cono interno DIN 3863
 inner cone DIN3863

Codice-Code	misura size	CH	ØD	ØD1	ØD2	ØF	L	L1
-------------	-------------	----	----	-----	-----	----	---	----

Senza valvola - without valve

PC1116-09-G18-B-T	9	5	9	G1/8"	-	6	17	7
PC1116-09-G14-B-T	9	5	9	G1/4"	-	6	17	9
PC1116-09-M10-B-T	9	5	9	M10x1	-	6	17	7
PC1116-09-M14-B-T	9	5	9	M14x1.5	-	6	17	9
PC1116-13-G14-B-T	13	8	13	G1/4"	-	9	26	9
PC1116-13-M14-B-T	13	8	13	M14x1.5	-	9	26	9

PC1126 NIPPO FILETTO MASCHIO BSPT 90° - BSPT 90° MALE THREAD PLUG

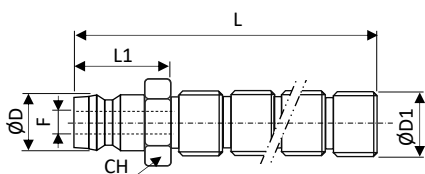


Codice-Code	misura size	CH	ØD	ØD1	ØD2	ØF	L1	L2
-------------	-------------	----	----	-----	-----	----	----	----

Senza valvola - without valve

stock PC1126-09-R18-B-E	9	15	9	R1/8"	6	28	8	9
stock PC1126-09-R14-B-E	9	15	9	R1/4"	6	17	12	11
PC1126-09-R38-B-E	9	17	9	R3/8"	6	18	12	12
stock PC1126-13-R14-B-E	13	17	13	R1/4"	9	23	11	11
PC1126-13-R38-B-E	13	17	13	R3/8"	9	23	12	12
PC1126-19-R12-B-E	19	24	19	R1/2"	13	31	16	16

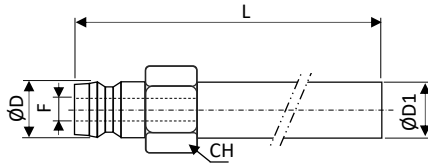
PC1140 NIPPO PROLUNGATO FILETTATO BSPP - EXTENDED STRAIGHT BSPP THREAD PLUG



Codice-Code	misura size	CH	ØD	ØD1	ØD2	ØF	L	L1
-------------	-------------	----	----	-----	-----	----	---	----

stock PC1140-09-G18-100-E	9	11	9	G1/8"	-	6	100	40
stock PC1140-09-G14-100-E	9	14	9	G1/4"	-	6	100	40
PC1140-09-G38-100-E	9	17	9	G3/8"	-	6	100	40
stock PC1140-13-G14-100-E	13	14	13	G1/4"	-	9	100	40
PC1140-13-G38-100-E	13	17	13	G3/8"	-	9	100	40

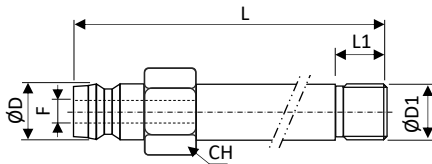
PC1134 NIPPO PROLUNGATO LISCIO - EXTENDED STRAIGHT TUBE PLUG



Codice-Code | misura size | CH | ØD | ØD1 | ØF | L | L1

PC1134-09-08-063-E	9	9	9	8	5	63	-
PC1134-09-08-100-E	9	9	9	8	5	100	-
PC1134-09-10-063-E	9	11	9	10	6	63	-
PC1134-09-10-100-E	9	11	9	10	6	100	-
PC1134-09-10-120-E	9	11	9	10	6	120	-
PC1134-09-10-240-E	9	11	9	10	6	240	-
PC1134-09-10-360-E	9	11	9	10	6	360	-
PC1134-09-14-150-E	9	11	9	14	6	150	-
PC1134-13-10-150-E	13	15	13	10	6	150	-
PC1134-13-14-150-E	13	15	13	14	9	150	-
PC1134-13-14-300-E	13	15	13	14	9	300	-
PC1134-13-14-400-E	13	15	13	14	9	400	-
PC1134-13-14-550-E	13	15	13	14	9	550	-
PC1134-19-21-300-E	19	22	19	21	13	300	-
PC1134-19-21-300-E	19	22	19	21	13	900	-

PC1136 NIPPO PROLUNGATO ESTREMITA' FILETTO MASCHIO BSPP EXTENDED STRAIGHT TUBE AND BSPP MALE THREAD PLUG



Codice-Code | misura size | CH | ØD | ØD1 | ØF | L | L1

stock	PC1136-09-G18-060-E	9	11	9	G1/8"	6	60	7
stock	PC1136-09-G18-100-E	9	11	9	G1/8"	6	100	7
	PC1136-09-G18-150-E	9	11	9	G1/8"	6	150	7
	PC1136-09-G14-060-E	9	13	9	G1/4"	6	60	9
stock	PC1136-09-G14-100-E	9	13	9	G1/4"	6	100	9
stock	PC1136-09-G14-150-E	9	13	9	G1/4"	6	150	9
	PC1136-13-G14-060-E	13	14	13	G1/4"	9	60	9
stock	PC1136-13-G14-100-E	13	14	13	G1/4"	9	100	9
stock	PC1136-13-G14-150-E	13	14	13	G1/4"	9	150	9
stock	PC1136-13-G14-200-E	13	14	13	G1/4"	9	200	9
stock	PC1136-13-G14-250-E	13	14	13	G1/4"	9	250	9
	PC1136-13-G14-300-E	13	14	13	G1/4"	9	300	9
	PC1136-13-G14-400-E	13	14	13	G1/4"	9	400	9
	PC1136-13-G38-060-E	13	17	13	G3/8"	9	60	9
	PC1136-13-G38-100-E	13	17	13	G3/8"	9	100	9
stock	PC1136-13-G38-150-E	13	17	13	G3/8"	9	150	9
	PC1136-13-G38-200-E	13	17	13	G3/8"	9	200	9
stock	PC1136-13-G38-250-E	13	17	13	G3/8"	9	250	9
	PC1136-13-G38-300-E	19	17	19	G3/8"	13	300	9
	PC1136-13-G38-400-E	19	17	19	G3/8"	13	400	9
	PC1136-19-G12-150-E	19	22	19	G1/2"	13	150	12
	PC1136-19-G12-300-E	19	22	19	G1/2"	13	300	12
	PC1136-19-G12-500-E	19	22	19	G1/2"	13	500	12

ANELLO COLORATO IN PLASTICA PER PORTA-GOMMA EASYLOCK
 COLORED PLASTIC RING FOR EASY-LOCK HOSE STEM



	Codice-Code	Øtubo Øhose	colore color
	PC2200-06-AB	6	Blue
	PC2200-09-AR		Red
stock	PC2200-06-AY		Yellow
	PC2200-10-AB	10	Blue
	PC2200-10-AR		Red
stock	PC2200-10-AY		Yellow
	PC2200-13-AB	13	Blue
	PC2200-13-AR		Red
stock	PC2200-13-AY		Yellow
	PC2200-16-AB	16	Blue
	PC2200-16-AR		Red
stock	PC2200-16-AY		Yellow
	PC2200-19-AR	19	Red



PC1200

Innesti rapidi standard Internazionale, intercambiabili con altri marchi con la stessa denominazione o profilo. Utilizzabili con acqua non pressurizzata fino a 150°C o con olio diatermico fino a 200°C. Pressione massima di esercizio 15 Bar. Con la versione «Temp-Secure®» possibilità di utilizzo con acqua pressurizzata fino a 180°C.

International Standard Quick couplings, fully interchangeable with other brands with the same plug profile. Can be used with non-pressurized water up to 150°C or diathermic oil up to 200°C. If selected «Temp-Secure®» version it can be used with steam up to 180°C.

CARATTERISTICHE COSTRUTTIVE – CONSTRUCTION FEATURES

Corpo – Socket Body	Ottone – Brass (Acciaio Inox opzionale - Stainless Steel Option)
Ghiera – Sleeve	Ottone; ottone nichelato per versione senza valvola – Brass; Nikel Plated Brass for version without valve (Acciaio Inox opzionale - Stainless Steel Option)
Valvola – Valve	Ottone – Brass
Molle – Springs	Acciaio Inox – Stainless Steel
Sfere – Balls	Acciaio Inox – Stainless Steel
Nipplo – Nipple	Ottone – Brass (Acciaio Inox opzionale - Stainless Steel Option)
Standard O-Rings	FKM (FKMH opzionale – FKM Opional)

OPTIONALS

Flusso libero – without valve **X**
Con valvola di ritegno – Shut-off Valve **Y**

Corpo in ottone – Brass Body (Standard) **B**
Corpo Acciaio Inox – Stainless steel body **S**

PC1213-09-10-BY

Sfondo ottone giallo = disconnesso
Yellow brass background = disconnected



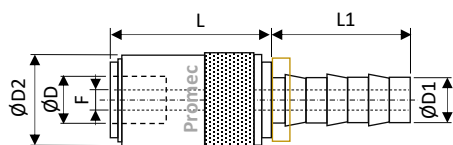
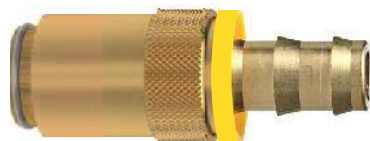
Sfondo verde = connesso
Green background = connected

PER APPLICAZIONI CON ACQUA PRESSURIZZATA O VAPORE FINO A 180°C AGGIUNGERE «TH-T» IN FONDO AL CODICE. L'INNESTO SARA' DOTATO DI GUARNIZIONI SPECIALI E SISTEMA DI BLOCCAGGIO DI SICUREZZA.

FOR APPLICATION WITH PRESSURIZED WATER OR STEAM UP TO 180°C ADD THE CODE «TH-T» IN THE END. IN THIS CASE THE SOCKET WILL BE EQUIPPED WITH SPECIAL SEALS AND A SAFE-LOCK SYSTEM.

TH-T

PC1201 INNESTO RAPIDO CON PORTA-GOMMA EASY-LOCK - EASY-LOCK HOSE STEM SOCKET



Codice-Code	misura size	ØD	ØD1	ØD2	ØF	L	L1
-------------	-------------	----	-----	-----	----	---	----

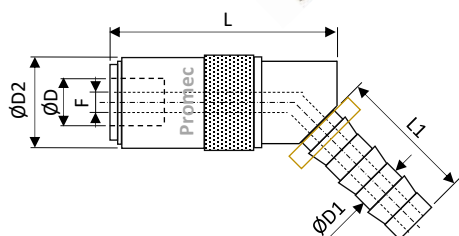
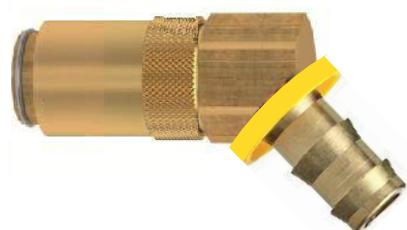
Senza valvola - without valve

stock	PC1201-09-06-BX	6	9,4	6,3	17	5	29	26
	PC1201-09-10-BX	6	9,4	9,5	17	6	29	26
	PC1201-13-10-BX	9	14	9,5	22	6	37	25
stock	PC1201-13-13-BX	9	14	12,7	22	9	37	25
	PC1201-20-19-BXNV	16	20	19	30	14	36.5	25

Con valvola - with valve

stock	PC1201-09-06-BY	6	9,4	6,3	17	5	29	26
	PC1201-09-10-BY	6	9,4	9,5	17	6	29	26
	PC1201-13-10-BY	9	14	9,5	22	6	37	25
stock	PC1201-13-13-BY	9	14	12,7	22	9	37	25
	PC1201-20-19-BYNV	16	20	19	30	14	36.5	25

PC1205 INNESTO RAPIDO CON PORTA-GOMMA EASY-LOCK 45° - 45° EASY-LOCK HOSE STEM SOCKET



Codice-Code	misura size	ØD	ØD1	ØD2	ØF	L	L1
-------------	-------------	----	-----	-----	----	---	----

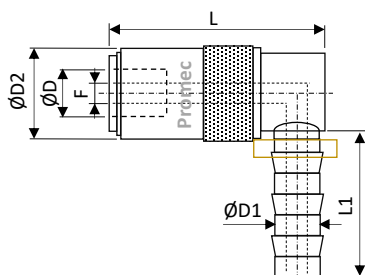
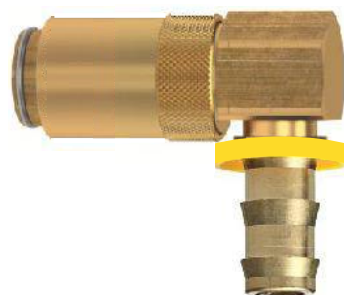
Senza valvola - without valve

	PC1205-09-10-BX	6	9,4	9,5	17	6	41	26
	PC1205-13-10-BX	9	14	12,7	22	9	51	30
	PC1205-13-13-BX	9	14	12,7	22	9	51	30

Con valvola - with valve

	PC1205-09-10-BY	6	9,4	9,5	17	6	41	26
	PC1205-13-10-BY	9	14	12,7	22	9	51	30
	PC1205-13-13-BY	9	14	12,7	22	9	51	30

PC1209 INNESTO RAPIDO CON PORTA-GOMMA EASY-LOCK 90° - 90° EASY-LOCK HOSE STEM SOCKET



Codice-Code	misura size	ØD	ØD1	ØD2	ØF	L	L1
-------------	-------------	----	-----	-----	----	---	----

Senza valvola - without valve

stock	PC1209-09-10-BX	6	9,4	9,5	17	6	41	26
	PC1209-13-10-BX	9	14	12,7	22	9	51	30
stock	PC1209-13-13-BX	9	14	12,7	22	9	51	30
	PC1209-20-19-BXNV	16	20	19	30	14	68	46

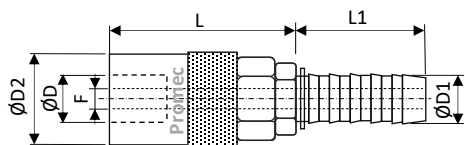
Con valvola - with valve

stock	PC1209-09-10-BY	6	9,4	9,5	17	6	41	26
	PC1209-13-10-BY	9	14	12,7	22	9	51	30
stock	PC1209-13-13-BY	9	14	12,7	22	9	51	30
	PC1209-20-19-BYNV	16	20	19	30	14	51	30



ANELLO COLORATO IN PLASTICA PER PORTA-GOMMA EASYLOCK vedere a pag. 31
 COLORED PLASTIC RING FOR EASY-LOCK HOSE STEM see at page 31

PC1203 INNESTO RAPIDO CON PORTA-GOMMA STANDARD - STANDARD HOSE STEM SOCKET



Codice-Code	misura size	ØD	ØD1	ØD2	ØF	L	L1
-------------	-------------	----	-----	-----	----	---	----

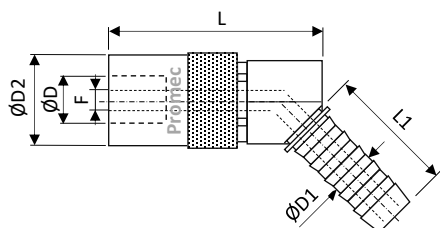
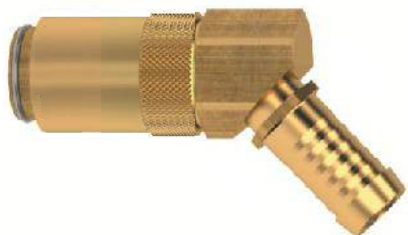
Senza valvola - without valve

PC1203-09-06-BX	6	9.4	6	17	4.5	28.5	22.5
stock PC1203-09-09-BX	6	9.4	9	17	6	28.5	22.5
stock PC1203-09-13-BX	6	9.4	13	17	6	28.5	22.5
PC1203-13-09-BX	9	13.5	9	22	7	36.5	25
stock PC1203-13-13-BX	9	13.5	13	22	9	36.5	25
PC1203-20-19-BXNV	16	20	19	30	14	57	46

Con valvola - with valve

PC1203-09-06-BY	6	9.4	6	17	4.5	28.5	22.5
stock PC1203-09-09-BY	6	9.4	9	17	6	28.5	22.5
stock PC1203-09-13-BY	6	9.4	13	17	6	28.5	22.5
PC1203-13-09-BY	9	13.5	9	22	7	36.5	25
stock PC1203-13-13-BY	9	13.5	13	22	9	36.5	25
PC1203-20-19-BYNV	16	20	19	30	14	57	46

PC1207 INNESTO RAPIDO CON PORTA-GOMMA STANDARD 45° - 45° STANDARD HOSE STEM SOCKET



Codice-Code	misura size	ØD	ØD1	ØD2	ØF	L	L1
-------------	-------------	----	-----	-----	----	---	----

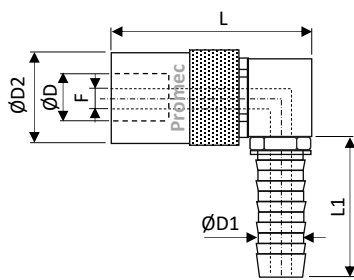
Senza valvola - without valve

PC1207-09-06-BX	6	9.4	6	17	4.5	40.5	25.5
PC1207-09-09-BX	6	9.4	9	17	6	40.5	25.5
PC1207-13-09-BX	9	13.5	9	22	7	51	30
PC1207-13-13-BX	9	13.5	13	22	9	51	30

Con valvola - with valve

PC1207-09-06-BY	6	9.4	6	17	4.5	40.5	25.5
PC1207-09-10-BY	6	9.4	9	17	6	40.5	25.5
PC1207-13-09-BY	9	13.5	9	22	7	51	30
PC1207-13-13-BY	9	13.5	13	22	9	51	30

PC1211 INNESTO RAPIDO CON PORTA-GOMMA STANDARD 90° - WITH 90° STANDARD HOSE STEM SOCKET



Codice-Code	misura size	ØD	ØD1	ØD2	ØF	L	L1
-------------	-------------	----	-----	-----	----	---	----

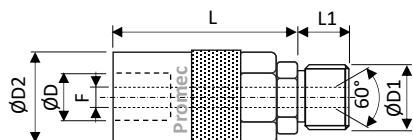
Senza valvola - without valve

PC1211-09-06-BX	6	9.4	6	17	4.5	40.5	25.5
stock PC1211-09-09-BX	6	9.4	9	17	6	40.5	25.5
PC1211-13-09-BX	9	13.5	9	22	7	51	30
stock PC1211-13-13-BX	9	13.5	13	22	9	51	30
PC1211-20-19-BXNV	16	20	19	30	14	74	40

Con valvola - with valve

PC1211-09-06-BY	6	9.4	6	17	4.5	40.5	25.5
stock PC1211-09-09-BY	6	9.4	9	17	6	40.5	25.5
PC1211-13-09-BY	9	13.5	9	22	7	51	30
stock PC1211-13-13-BY	9	13.5	13	22	9	51	30
PC1211-20-19-BYNV	16	20	19	30	14	74	40

PC1213 INNESTO RAPIDO CON FILETTO MASCHIO BSPP - BSPP MALE THREAD SOCKET



Cono interno DIN 3863
 inner cone DIN3863

Codice-Code	misura size	CH	ØD	ØD1	ØD2	ØF	L	L1
-------------	----------------	----	----	-----	-----	----	---	----

Senza valvola - without valve

in stock	PC1213-09-G14-BX	6	17	9.4	G1/4"	17	6	37	13
	PC1213-09-M14-BX	6	17	9.4	M14x1.5	17	6	37	13
in stock	PC1213-13-G38-BX	9	22	13.5	G3/8"	22	9	43	11
	PC1213-13-G12-BX	9	24	13.5	G1/2"	22	9	43	12
	PC1213-13-M16-BX	9	22	13.5	M16x1.5	22	9	43	11
	PC1213-20-G12-BXNV	16	-	20	G1/2"	30	13	64	12

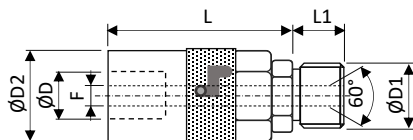
Con valvola - with valve

in stock	PC1213-09-G14-BY	6	17	9.4	G1/4"	17	6	37	13
	PC1213-09-M14-BY	6	17	9.4	M14x1.5	17	6	37	13
in stock	PC1213-13-G38-BY	9	22	13.5	G3/8"	22	9	43	11
	PC1213-13-G12-BY	9	24	13.5	G1/2"	22	9	43	12
	PC1213-13-M16-BY	9	22	13.5	M16x1.5	22	9	43	11
	PC1213-20-G12-BYNV	16	-	20	G1/2"	30	13	64	12

PC1213 INNESTO RAPIDO CON FILETTO MASCHIO BSPP TEMP-SECURE® ALTA TEMPERATURA
 TEMP-SECURE® HIGH TEMPERATURE BSPP MALE THREAD SOCKET

LUDECKE

Since 1930. The perfect connection.



Cono interno DIN 3863
 inner cone DIN3863

Codice-Code	misura size	CH	ØD	ØD1	ØD2	ØF	L	L1
-------------	----------------	----	----	-----	-----	----	---	----

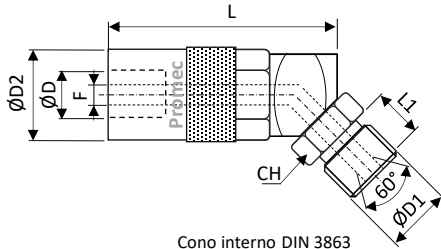
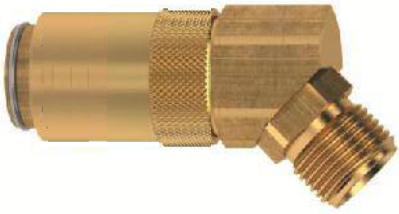
Senza valvola - without valve

in stock	PC1213-09-G14-BXTH-T	6	17	9.4	G1/4"	18	6	44.5	11
	PC1213-09-M14-BXTH-T	6	17	9.4	M14x1.5	18	6	44.5	11
in stock	PC1213-13-G38-BXTH-T	9	22	13.5	G3/8"	24	9	45	12.5
	PC1213-13-M16-BXTH-T	9	22	13.5	M16x1.5	24	9	45	12.5

Con valvola - with valve

in stock	PC1213-09-G14-BYTH-T	6	17	9.4	G1/4"	18	6	44.5	11
	PC1213-09-M14-BYTH-T	6	17	9.4	M14x1.5	18	6	44.5	11
in stock	PC1213-13-G38-BYTH-T	9	22	13.5	G3/8"	24	9	45	12.5
	PC1213-13-M16-BYTH-T	9	22	13.5	M16x1.5	24	9	45	12.5

PC1215 INNESTO RAPIDO CON FILETTO MASCHIO BSPP 45° - BSPP 45° MALE THREAD SOCKET



Cono interno DIN 3863
inner cone DIN3863

Codice-Code	misura size	CH	ØD	ØD1	ØD2	ØF	L	L1
-------------	----------------	----	----	-----	-----	----	---	----

Senza valvola - without valve

PC1215-09-G14-BX	6	17	9.4	G1/4"	17	6	36	9
PC1215-13-G38-BX	9	22	13.5	G3/8"	22	9	43	11

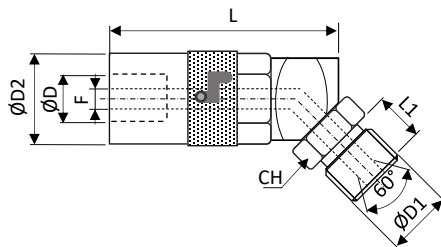
Con valvola - with valve

PC1215-09-G14-BY	6	17	9.4	G1/4"	17	6	36	9
PC1215-13-G38-BY	9	22	13.5	G3/8"	22	9	43	11

PC1215 INNESTO RAPIDO CON FILETTO MASCHIO BSPP 45° TEMP-SECURE® ALTA TEMPERATURA
TEMP-SECURE® HIGH TEMPERATURE 45° BSPP MALE THREAD SOCKET



LUDECKE
Since 1930. The perfect connection.



Cono interno DIN 3863
inner cone DIN3863

Codice-Code	misura size	CH	ØD	ØD1	ØD2	ØF	L	L1
-------------	----------------	----	----	-----	-----	----	---	----

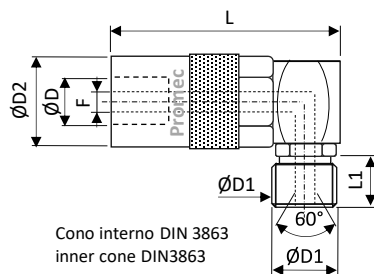
Senza valvola - without valve

PC1215-09-G14-BXTH-T	6	17	9.4	G1/4"	17	6	36	9
PC1215-13-G38-BXTH-T	9	22	13.5	G3/8"	22	9	43	12.5

Con valvola - with valve

PC1215-09-G14-BYTH-T	6	17	9.4	G1/4"	17	6	36	9
PC1215-13-G38-BYTH-T	9	22	13.5	G3/8"	22	9	43	12.5

PC1217 INNESTO RAPIDO CON FILETTO MASCHIO BSPP 90° - BSPP 90° MALE THREAD SOCKET



Codice-Code	misura size	CH	ØD	ØD1	ØD2	ØF	L	L1
-------------	-------------	----	----	-----	-----	----	---	----

Senza valvola - without valve

PC1217-09-G14-BX	6	17	9.4	G1/4"	17	6	45	9
PC1217-09-M14-BX	6	17	9.4	M14x1.5	17	6	45	9
PC1217-13-G38-BX	9	22	13.5	G3/8"	22	9	54	11
PC1217-13-M16-BX	9	17	13.5	M16x1.5	22	9	54	9

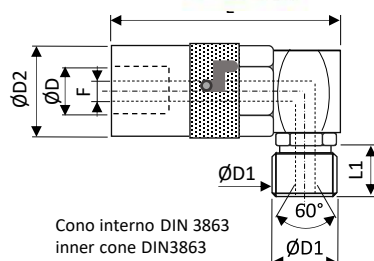
Con valvola - with valve

PC1217-09-G14-BY	6	17	9.4	G1/4"	17	6	45	9
PC1217-09-M14-BY	6	17	9.4	M14x1.5	17	6	45	9
PC1217-13-G38-BY	9	22	13.5	G3/8"	22	9	54	11
PC1217-13-M16-BY	9	17	13.5	M16x1.5	22	9	54	9

PC1217 INNESTO RAPIDO CON FILETTO MASCHIO BSPP 90° TEMP-SECURE® ALTA TEMPERATURA
TEMP-SECURE® HIGH TEMPERATURE 90° BSPP MALE THREAD SOCKET

LUDECKE

Since 1930. The perfect connection.



Codice-Code	misura size	CH	D	D1	D2	F	L	L1
-------------	-------------	----	---	----	----	---	---	----

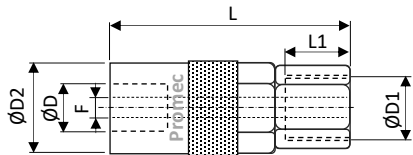
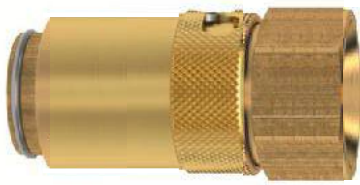
Senza valvola - without valve

PC1217-09-G14-BXTH-T	6	18	9.4	G1/4"	18	6	55	11
PC1217-09-M14-BXTH-T	6	18	9.4	M14x1.5	18	6	55	11
PC1217-13-G38-BXTH-T	9	22	13.5	G3/8"	24	9	57	12.5
PC1217-13-M16-BXTH-T	9	17	13.5	M16x1.5	24	9	57	12.5

Con valvola - with valve

PC1217-09-G14-BYTH-T	6	17	9.4	G1/4"	18	6	55	11
PC1217-09-M14-BYTH-T	6	17	9.4	M14x1.5	18	6	55	11
PC1217-13-G38-BYTH-T	9	22	13.5	G3/8"	24	9	57	12.5
PC1217-13-M16-BYTH-T	9	17	13.5	M16x1.5	24	9	57	12.5

PC1219 INNESTO RAPIDO CON FILETTO FEMMINA BSPP - BSPP FEMALE THREAD SOCKET



Codice-Code	misura size	CH	ØD	ØD1	ØD2	ØF	L	L1
-------------	-------------	----	----	-----	-----	----	---	----

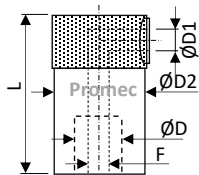
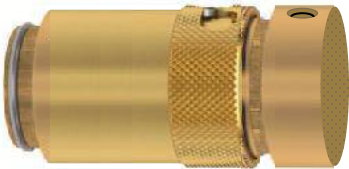
Senza valvola - without valve

in stock	PC1219-09-G14-BX	6	17	9.4	G1/4"	17	6	40	9
	PC1219-09-G38-BX	6	21	9.4	G3/8"	17	6	40	9
	PC1219-13-G14-BX	9	17	13.5	G1/4"	22	9	37	9
in stock	PC1219-13-G38-BX	9	22	13.5	G3/8"	22	9	37	9
	PC1219-13-G12-BX	9	24	13.5	G1/2"	22	9	37	12
	PC1219-20-G12-BXNV	16	-	20	G1/2"	30	13	59	-

Con valvola - with valve

in stock	PC1219-09-G14-BY	6	17	9.4	G1/4"	17	6	40	9
	PC1219-09-G38-BY	6	21	9.4	G3/8"	17	6	40	9
	PC1219-13-G14-BY	9	17	13.5	G1/4"	22	9	37	9
in stock	PC1219-13-G38-BY	9	22	13.5	G3/8"	22	9	37	9
	PC1219-13-G12-BY	9	24	13.5	G1/2"	22	9	37	12
	PC1219-20-G12-BYNV	16	-	20	G1/2"	30	13	59	-

PC1231 INNESTO RAPIDO PER PONTE - BRIDGE SOCKET



Codice-Code	misura size	CH	ØD	ØD1	ØD2	ØF	L	L1
-------------	-------------	----	----	-----	-----	----	---	----

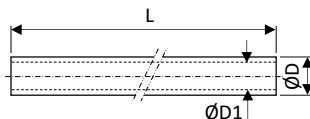
Senza valvola - without valve

	PC1231-09-08-BX	6	-	9.4	8	17	6	41	-
	PC1231-13-10-BX	9	-	13.5	10	17	9	53	-

Con valvola - with valve

	PC1231-09-08-BY	6	-	9.4	8	17	6	41	-
	PC1231-13-10-BY	9	-	13.5	10	17	9	53	-

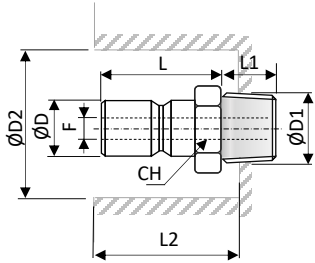
PC1290 TUBO LISCI PER PONTE - STRAIGHT TUBE FOR BRIDGE



Codice-Code	misura size	CH	ØD	ØD1	ØD2	ØF	L	L1
-------------	-------------	----	----	-----	-----	----	---	----

	PC1290-08-250-B-T	8	-	8	6	-	-	250	-
	PC1290-08-500-B-T	8	-	8	6	-	-	500	-
	PC1290-10-250-B-T	10	-	10	8	-	-	250	-
	PC1290-10-500-B-T	10	-	10	8	-	-	500	-

PC1222 NIPPO FILETTO MASCHIO BSPT CON TEFLON - BSPT MALE THREAD TAPERED PLUG



Codice-Code	misura size	CH	ØD	ØD1	ØD2	ØF	L	L1	L2 min
-------------	-------------	----	----	-----	-----	----	---	----	--------

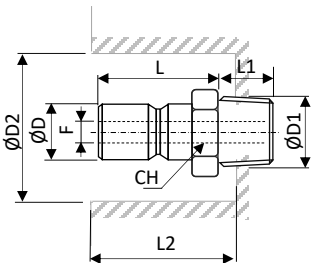
Senza valvola - without valve

stock	PC1222-09-R18-B-E	6	13	9.4	R1/8"	19	6	17	7	20
stock	PC1222-09-R14-B-E	6	16	9.4	R1/4"	19	6	19	8	18
stock	PC1222-09-R38-B-E	6	19	9.4	R3/8"	19	6	21	10	18
stock	PC1222-13-R14-B-E	9	16	13.5	R1/4"	24	9	25	11	25
stock	PC1222-13-R38-B-E	9	19	13.5	R3/8"	24	9	26	12	25
stock	PC1222-13-R12-B-E	9	24	13.5	R1/2"	24	9	26	14	25
	PC1222-20-R38-B-E	16	21	19.8	R3/8"	32	13	24.5	12	31
stock	PC1222-20-R12-B-E	16	22	19.8	R1/2"	32	15	24.5	14	33
stock	PC1222-20-R34-B-E	16	29	19.8	R3/4"	32	15	25.5	16	33

Con valvola - with valve

stock	PC1222-09-R14-BYV-E	6	14	9.4	R1/4"	19	6	14.5	14	18
stock	PC1222-13-R14-BYV-E	9	14	13.5	R1/4"	24	9	20.5	14	25
stock	PC1222-13-R38-BYV-E	9	17	13.5	R3/8"	24	9	20.5	14	25

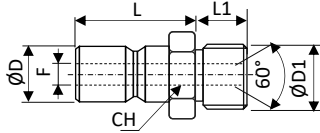
PC1222 NIPPO FILETTO MASCHIO BSPT NICHELATO - NIKEL PLATED BSPT MALE THREAD PLUG



Codice-Code	misura size	CH	ØD	ØD1	ØD2	ØF	L	L1	L2 min
-------------	-------------	----	----	-----	-----	----	---	----	--------

stock	PC1222-09-R18-B-T	6	13	9.4	R1/8"	19	6	17	7	20
stock	PC1222-09-R14-B-T	6	16	9.4	R1/4"	19	6	19	8	18
stock	PC1222-13-R14-B-T	9	16	13.5	R1/4"	24	9	25	11	25
stock	PC1222-13-R38-B-T	9	19	13.5	R3/8"	24	9	26	12	25

PC1214 NIPPLO FILETTO MASCHIO **CILINDRICO** NICHELATO - NIKEL PLATED **PARALLEL** MALE THREAD PLUG



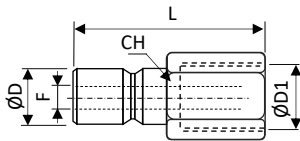
Cono interno DIN 3863
inner cone DIN3863

Codice-Code | misura size | CH | ØD | ØD1 | ØF | L | L1

Senza valvola - without valve

PC1214-09-G18-B-T	6	11	9.4	G1/8"	6	13	9
PC1214-09-G14-B-T	6	14	9.4	G1/4"	6	13	9
PC1214-09-G38-B-T	6	17	9.4	G3/8"	6	12	10
PC1214-13-G18-B-T	9	15	13.5	G1/8"	6	20	7
PC1214-13-G14-B-T	9	15	13.5	G1/4"	9	20	9
PC1214-13-G38-B-T	9	17	13.5	G3/8"	9	20	9
PC1214-13-G12-B-T	9	22	13.5	G1/2"	9	20	12
PC1214-13-G34-B-T	9	27	13.5	G3/4"	9	20.5	16

PC1230 NIPPLO FILETTO FEMMINA BSPP - BSPP FEMALE THREAD PLUG

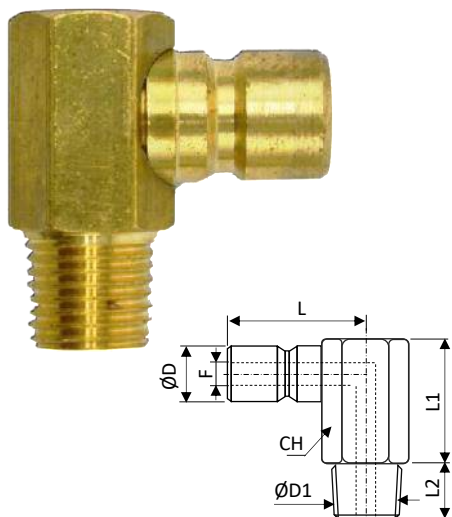


Codice-Code | misura size | CH | ØD | ØD1 | ØF | L | L1

Senza valvola - without valve

PC1230-09-G18-B-T	6	13	9.4	G1/8"	6	26	-
PC1230-09-G14-B-T	6	16	9.4	G1/4"	6	26	-
PC1230-09-G38-B-T	6	19	9.4	G3/8"	6	26	-
PC1230-13-G14-B-T	9	16	13.5	G1/4"	9	37	-
PC1230-13-G38-B-T	9	19	13.5	G3/8"	9	39	-
PC1230-20-G12-B-T	16	24	19.8	G1/2"	15	35	-

PC1226 NIPPO FILETTO MASCHIO BSPT 90° - BSPT 90° MALE THREAD PLUG



Codice-Code	misura size	CH	ØD	ØD1	ØF	L	L1	L2
-------------	-------------	----	----	-----	----	---	----	----

Senza valvola - without valve

stock	PC1226-09-R18-B-E	6	11	9.4	R1/8"	6	23	16	11
stock	PC1226-09-R14-B-E	6	11	9.4	R1/4"	6	23	16	11
	PC1226-09-R38-B-E	6	15	9.4	R3/8"	6	23	23	11
	PC1226-09-M10-B-E	6	17	9.4	M10x1.5	6	23	23	11
	PC1226-09-M14-B-E	6	17	9.4	M14x1.5	6	23	23	11
stock	PC1226-13-R14-B-E	9	15	13.5	R1/4"	9	24	22	12
	PC1226-13-R38-B-E	9	17	13.5	R3/8"	9	24	22	12

PC1202 NIPPO CON PORTAGOMMA EASY-LOCK - EASY-LOCK HOSE STEM PLUG

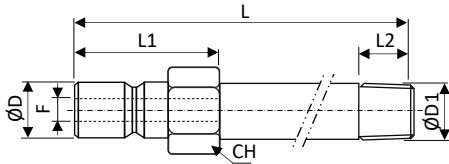


Codice-Code	misura size	CH	ØD	ØD1	ØF	L	L1	L2
-------------	-------------	----	----	-----	----	---	----	----

Senza valvola - without valve

	PC1202-09-10-B-E	6	-	9.4	9.5	5	14	24	-
	PC1202-09-13-B-E	6	-	9.4	12.7	6	14	24	-
	PC1202-13-10-B-E	9	-	13.5	9.5	8	21	24	-
	PC1202-13-13-B-E	9	-	13.5	12.7	9	21	28	-
	PC1202-20-13-B-E	16	-	19.8	12.7	15	23	28	-
	PC1202-20-19-B-E	16	-	19.8	19	15	23	38	-

PC1238 NIPPLO PROLUNGATO ESTREMITA' FILETTO MASCHIO BSPT
EXTENDED STRAIGHT TUBE AND BSPT MALE THREAD PLUG



	Codice-Code	misura size	CH	ØD	ØD1	ØF	L	L1	L2
stock	PC1238-09-R18-100-E	6	11	9,4	R1/8"	6	100	17	7
stock	PC1238-09-R18-150-E	6	11	9,4	R1/8"	6	150	17	7
stock	PC1238-09-R18-200-E	6	11	9,4	R1/8"	6	200	17	7
stock	PC1238-09-R14-100-E	6	14	9,4	R1/4"	6	100	17	9
stock	PC1238-09-R14-150-E	6	14	9,4	R1/4"	6	150	17	9
stock	PC1238-09-R14-200-E	6	14	9,4	R1/4"	6	200	17	9
	PC1238-09-R14-250-E	6	14	9,4	R1/4"	6	250	17	9
	PC1238-09-M10-100-E	6	11	9,4	M10x1	6	100	17	9
stock	PC1238-13-R14-50-E	9	15	13,5	R1/4"	9	50	23	9
stock	PC1238-13-R14-100-E	9	15	13,5	R1/4"	9	100	23	9
stock	PC1238-13-R14-150-E	9	15	13,5	R1/4"	9	150	23	9
stock	PC1238-13-R14-200-E	9	15	13,5	R1/4"	9	200	23	9
stock	PC1238-13-R14-250-E	9	15	13,5	R1/4"	9	250	23	9
stock	PC1238-13-R38-100-E	9	17	13,5	R3/8"	9	100	23	9
stock	PC1238-13-R38-150-E	9	17	13,5	R3/8"	9	150	23	9
stock	PC1238-13-R38-200-E	9	17	13,5	R3/8"	9	200	23	9
stock	PC1238-13-R38-250-E	9	17	13,5	R3/8"	9	250	23	9
	PC1238-13-R12-100-E	9	22	13,5	R1/2"	9	100	23	9
	PC1238-13-M14-100-E	9	17	13,5	M14x1,5	9	100	23	9

ANELLO COLORATO IN PLASTICA PER PORTA-GOMMA EASYLOCK
COLORED PLASTIC RING FOR EASY-LOCK HOSE STEM



	Codice-Code	Øtubo Øhose	colore color
	PC2200-06-AB	6	Blue/Red
stock	PC2200-09-AR		
	PC2200-06-AY	10	Yellow/Red
stock	PC2200-10-AB		
	PC2200-10-AR	13	Blue/Red
stock	PC2200-10-AY		
	PC2200-13-AB	16	Blue/Red
stock	PC2200-13-AR		
	PC2200-13-AY	19	Blue/Red
stock	PC2200-16-AB		
	PC2200-16-AR	19	Blue/Red
stock	PC2200-16-AY		
	PC2200-19-AR		



PC1300

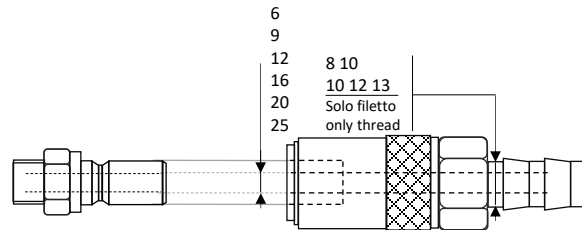
Innesti rapidi serie Francese, intercambiabili con altri marchi con la stessa denominazione o profilo.

French Standard Quick couplings. Fully interchangeable with other brands with the same plug profile.

CARATTERISTICHE DI FUNZIONAMENTO – TECHNICAL FEATURES

Temperatura max. di esercizio:	Ø6 e Ø9 acqua +180°C; olio diatermico +200°C;
Pressione max. di esercizio:	Ø12, Ø16, Ø20 e Ø25 acqua non pressurizzata 120°C; olio diatermico 150°C 15 Bar
Max working temperature:	Ø6 e Ø9 water +180°C; diathermic oil +200°C;
Max working pressure:	Ø12, Ø16, Ø20 e Ø25 non pressurized water 120°C; diathermic oil 150°C 15 Bar

Diametri e passaggio flusso:
Size and flow size:



CARATTERISTICHE COSTRUTTIVE – CONSTRUCTION FEATURES

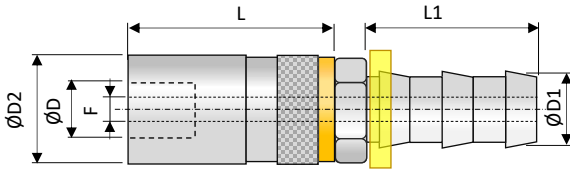
Corpo – Socket Body	Ottone – Brass
Ghiera – Sleeve	Acciaio Inox – Stainless Steel
Valvola – Valve	Ottone-Brass
Molle – Springs	Acciaio Inox – Stainless Steel
Sfere – Balls	Acciaio Inox – Stainless Steel
Nipplo – Nipple	Ottone per ØF fino a 16. Acciaio inox da ØF 20 in su – Brass for ØF up to 16. Stainless steel for ØF 20 and higher
O-Rings	FKM

OPTIONALS

Con valvola di ritegno – With shut-off valve Y
Senza valvola – Without valve X

PC1311-09-06-10-BX

PC1301 INNESTO RAPIDO CON PORTA-GOMMA EASY-LOCK -EASY-LOCK HOSE STEM SOCKET



Codice-Code | misura size | ØD | ØD1 | ØD2 | ØF | L | L1

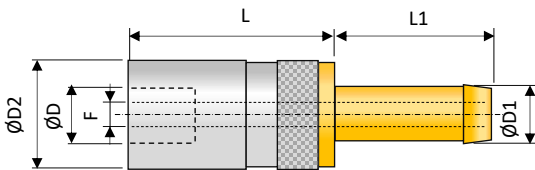
Senza valvola - without valve

PC1301-06-06-X	6	9.4	6.3	19.5	4	47	24
PC1301-06-10-X	6	9.4	9.5	19.5	6	47	24
PC1301-09-10-X	9	13.7	12.7	24	9	51	24
PC1301-09-13-X	9	13.7	12.7	24	9	51	28
PC1301-12-13-BXNV	12	17.8	12.7	31	12	54	38
PC1301-16-16-BXNV	16	22.4	16	38	16	81	38
PC1301-16-19-BXNV	16	22.4	19	38	16	81	38

Con valvola - with valve

PC1301-06-06-Y	6	9.4	6.3	19.5	4	47	24
PC1301-06-10-Y	6	9.4	9.5	19.5	6	47	24
PC1301-09-10-Y	9	13.7	12.7	24	9	51	24
PC1301-09-13-Y	9	13.7	12.7	24	9	51	28
PC1301-12-13-BYNV	12	17.8	12.7	31	12	54	38
PC1301-16-16-BYNV	16	22.4	16	38	12	81	38
PC1301-16-19-BYNV	16	22.4	19	38	12	81	38

PC1303 INNESTO RAPIDO CON PORTA-GOMMA STANDARD - STANDARD HOSE STEM SOCKET



Codice-Code | misura size | ØD | ØD1 | ØD2 | ØF | L | L1

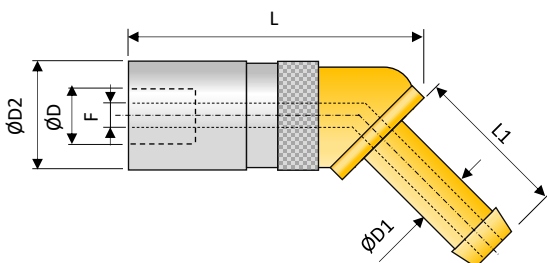
Senza valvola - without valve

PC1303-06-09-X	6	9.4	9	19.5	6	36.5	22.5
PC1303-09-13-X	9	13.7	13	24	9	42	25
PC1303-12-16-BXNV	12	17.8	16	31	12	54	28
PC1303-16-19-BXNV	16	22.4	19	38	16	81	33

Con valvola - with valve

PC1303-06-09-Y	6	9.4	9	19.5	6	36.5	22.5
PC1303-09-13-Y	9	13.7	13	24	9	42	25
PC1303-12-16-BYNV	12	17.8	16	31	12	54	28
PC1303-16-19-BYNV	16	22.4	19	38	16	81	33

PC1307 INNESTO RAPIDO CON PORTA-GOMMA STANDARD 45° - 45° STANDARD HOSE STEM SOCKET



Codice-Code | misura size | ØD | ØD1 | ØD2 | ØF | L | L1

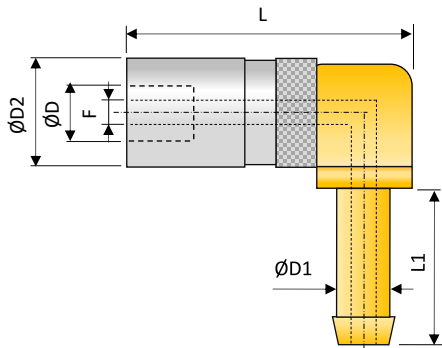
Senza valvola - without valve

PC1307-06-09-X	6	9.4	9	19.5	6	52	22.5
PC1307-06-09-X	9	13.7	13	24	9	59	22.5

Con valvola - with valve

PC1307-06-09-Y	6	9.4	9	19.5	6	52	22.5
PC1307-06-09-Y	9	13.7	13	24	9	59	22.5

PC1311 INNESTO RAPIDO CON PORTA-GOMMA STANDARD 90° - WITH 90° STANDARD HOSE STEM SOCKET



Codice-Code	misura size	CH	ØD	ØD1	ØD2	ØF	L	L1
-------------	-------------	----	----	-----	-----	----	---	----

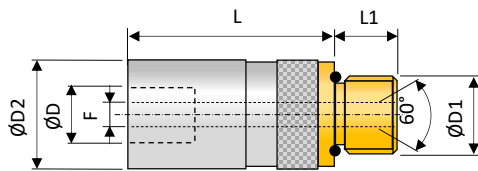
Senza valvola - without valve

PC1311-06-09-X	6	-	9.4	9	19.5	6	50	22.5
PC1311-09-13-X	9	-	13.7	13	24	9	59	25
PC1311-12-16-BXNV	12	-	17.8	16	31	12	54	28
PC1311-16-19-BXNV	16	-	22.4	19	38	16	72	60

Con valvola - with valve

PC1311-06-09-Y	6	-	9.4	9	19.5	6	50	22.5
PC1311-09-13-Y	9	-	13.7	13	24	9	59	25
PC1311-12-16-BYNV	12	-	17.8	16	31	12	54	28
PC1311-16-19-BYNV	16	-	22.4	19	38	16	72	60

PC1313 INNESTO RAPIDO CON FILETTO MASCHIO BSPP ED O-RING BSPP MALE THREAD SOCKET WITH O-RING



Codice-Code	misura size	CH	ØD	ØD1	ØD2	ØF	L	L1
-------------	-------------	----	----	-----	-----	----	---	----

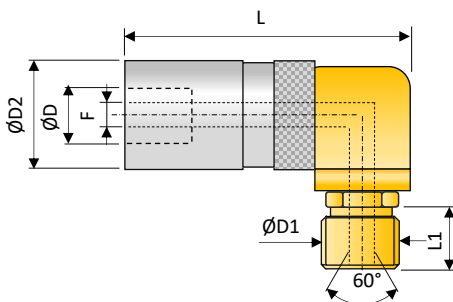
Senza valvola - without valve

PC1313-06-G14-X	6	17	9.4	G1/4"	19.5	6	45	9
PC1313-09-G38-X	9	22	13.7		24	9	48	9
PC1313-12-G12-BXNV	12	27	17.8	G1/2"	31	12	58	14
PC1313-16-G34-BXNV	16	32	22.4	G3/4"	38	16	97.5	14

Con valvola - with valve

PC1313-06-G14-Y	6	17	9.4	G1/4"	19.5	6	45	9
PC1313-09-G38-Y	9		13.7		24	9	48	9
PC1313-12-G12-BYNV	12	27	16.6	G1/2"	31	12	58	14
PC1313-16-G34-BYNV	16	32	22.4	G3/4"	38	16	97.5	14
PC1313-20-G1-BYNV	20	42	28	G1"	53	20	112	20
PC1313-25-G1-BYNV	25	50	36	G1"	60	25	143	21
PC1313-25-G114-BYNV	25	50	36	G1"1/4	60	25	146	21

PC1317 INNESTO RAPIDO CON FILETTO MASCHIO BSPP 90° - BSPP 90° MALE THREAD SOCKET



Codice-Code	misura size	CH	ØD	ØD1	ØD2	ØF	L	L1
-------------	-------------	----	----	-----	-----	----	---	----

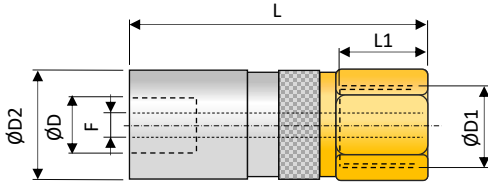
Senza valvola - without valve

PC1317-06-G14-X	6	16	9.4	G1/4"	19.5	6	52	9
PC1317-09-G38-X	9	21	13.7	G3/8"	24	9	59	9
PC1317-12-G12-BXNV	12	27	17.8	G1/2"	31	12	81.5	14
PC1317-16-G34-BXNV	16	32	22.4	41	38	16	121	18

Con valvola - with valve

PC1317-06-G14-Y	6	17	9.4	G1/4"	19.5	6	52	9
PC1317-09-G38-Y	9	21	13.7	G3/8"	24	9	59	9
PC1317-12-G12-BYNV	12	27	17.8	G1/2"	31	12	81.5	14
PC1317-16-G34-BYNV	16	32	22.4	G3/4"	38	16	121	18

PC1319 INNESTO RAPIDO CON FILETTO FEMMINA BSPP - BSPP FEMALE THREAD SOCKET



Codice-Code	misura size	CH	ØD	ØD1	ØD2	ØF	L	L1
-------------	----------------	----	----	-----	-----	----	---	----

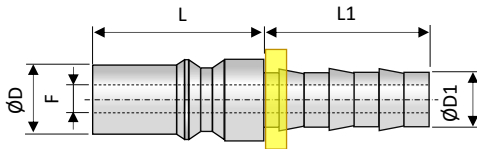
Senza valvola - without valve

PC1319-06-G14-X	6	17	9.4	G1/4"	19.5	8	47	12
PC1319-09-G38-X	9	22	13.7	G3/8"	24	9	58	9
PC1319-12-G12-BXNV	12	27	17.8	G1/2"	31	12	67	-
PC1319-16-G34-BXNV	16	35	22.4	G3/4"	38	16	55	-

Con valvola - with valve

PC1319-06-G14-Y	6	17	9.4	G1/4"	19.5	8	47	12
PC1319-09-G38-Y	9	22	13.7	G3/8"	24	9	58	9
PC1319-12-G12-Y	12	27	17.8	G1/2"	31	12	67	-
PC1319-16-G34-Y	16	35	22.4	G3/4"	38	16	90.5	-
PC1319-20-G1-BYNV	20	53	28	G1"	53	20	119.5	-
PC1319-25-G114-BYNV	25	60	36	G1 1/4"	60	25	140	-

PC1302 NIPLO CON PORTAGOMMA EASY-LOCK - EASY-LOCK HOSE STEM PLUG

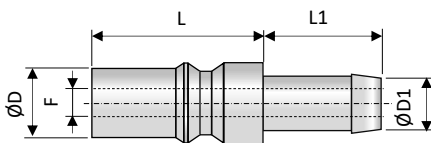


Codice-Code	misura size	CH	ØD	ØD1	ØD2	ØF	L	L1
-------------	----------------	----	----	-----	-----	----	---	----

Senza valvola - without valve

PC1302-06-10-B	6	-	9.4	9.5	-	6	45	24
PC1302-09-10-B	9	-	13.7	9.5	-	9	46.5	24
PC1302-09-13-B	9	-	13.7	12.7	-	9	50.5	28
PC1302-12-16-B	12	-	17.8	16	-	12	67	28
PC1302-16-19-B	16	-	22.4	19	-	16	75	38

PC1304 NIPLO CON PORTAGOMMA STANDARD - STANDARD HOSE STEM PLUG

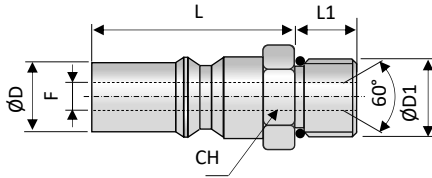


Codice-Code	misura size	CH	ØD	ØD1	ØD2	ØF	L	L1
-------------	----------------	----	----	-----	-----	----	---	----

Senza valvola - without valve

PC1304-06-08-B	6	-	9.4	8	-	6	24.5	23
PC1304-09-12-B	9	-	13.7	12	-	9	25.5	27
PC1304-12-16-B	12	-	17.8	16	-	12	30	33
PC1304-16-19-B	16	-	22.4	19	-	16	37	33

PC1318 NIPPO FILETTO MASCHIO BSPP CON O-RING - BSPP MALE THREAD PLUG WITH O-RING

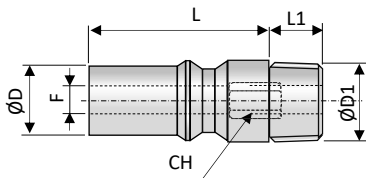


Codice-Code	misura size	CH	ØD	ØD1	ØF	L	L1
-------------	----------------	----	----	-----	----	---	----

Con valvola - with valve

PC1318-06-G14-Y	6	17	9.4	G1/4"	6	36	9
PC1318-09-G14-Y	9	19	13.7	G1/4"	9	40.5	9
PC1318-09-G38-Y	9	19	13.7	G3/8"	9	38.5	9.5
PC1318-12-G38-BYV	12	24	17.8	G3/8"	12	53.5	10
PC1318-12-G12-BYV	12	24	17.8	G1/2"	12	50	12
PC1318-16-G34-BYV	16	32	22.4	G3/4"	16	67	14
PC1318-20-G1-BYV	20	42	28	G1"	20	120	20
PC1318-25-G1-BYV	25	42	36	G1"	25	127	20
PC1318-25-G114-BYV	25	42	36	G1"1/4	25	131.5	21

PC1324 NIPPO FILETTO MASCHIO BSPT CHIAVE ESAGONO INTERNO BSPT MALE THREAD PLUG WITH INTERNAL HEXAGON

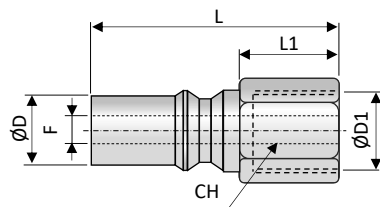


Codice-Code	misura size	CH	ØD	ØD1	ØF	L	L1
-------------	----------------	----	----	-----	----	---	----

Senza valvola - without valve

PC1324-06-R18	6	5	9.4	R1/4"	5	21	11
PC1324-06-R14	6	5	9.4	R1/8"	5	21	10
PC1324-09-R14	9	8	13.7	R1/4"	8.2	23	11
PC1324-09-R38	9	8	13.7	R3/8"	8.2	23	11
PC1324-12-R38-B	12	10	17.8	R3/8"	12	26	11

PC1330 NIPPO FILETTO FEMMINA BSPP - BSPP FEMALE THREAD PLUG



Codice-Code	misura size	CH	ØD	ØD1	ØF	L	L1
-------------	----------------	----	----	-----	----	---	----

Senza valvola - without valve

PC1330-06-G14	6	17	9.4	G1/4"	6	34	11
PC1330-09-G38	9	22	13.7	G3/8"	9.5	37	12
PC1330-12-G12-B	12	27	17.8	G1/2"	12	45	-
PC1330-16-G34-B	16	32	22.4	G3/4"	16	58	-
PC1330-20-G1-B	20	41	17.8	G1"	20	92	-
PC1330-25-G112-B	25	50	22.4	G1"1/2	25	105	-



PC1500

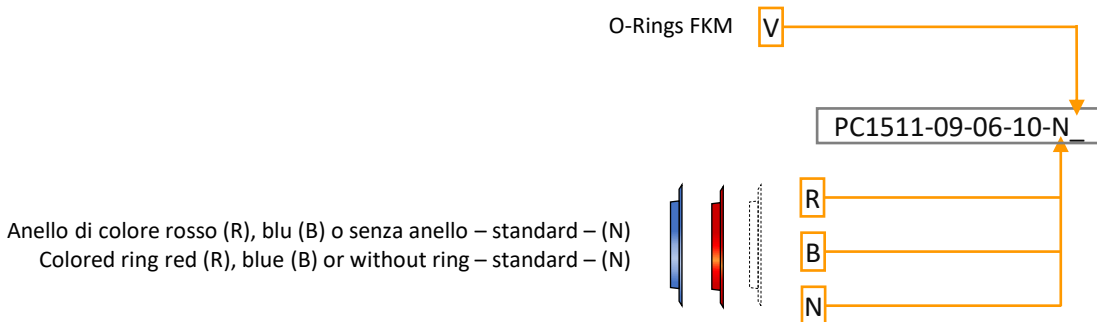
Innesti rapidi standard Francese, intercambiabili con altri marchi con la stessa denominazione o profilo. Utilizzabili con acqua fino a 90°C. Con O-Rings FKM (opzionali) fino a 120°C con acqua non pressurizzata o 160°C con olio diatermico. Pressione massima di esercizio 10 Bar.

French standard quick coupling. Fully interchangeable with other brands with the same plug profile. It can be used with water up to 90°C. With FKM O-Rings (optionals) with non-pressurized water up to 120°C or diathermic oil up to 160°C. Max working pressure 10 Bar.

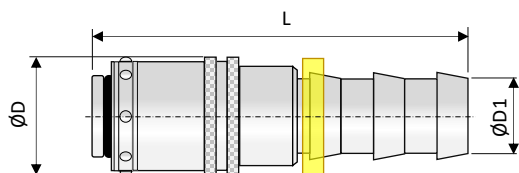
CARATTERISTICHE COSTRUTTIVE – CONSTRUCTION FEATURES

Corpo – Socket Body	Ottone nichelato – Brass
Ghiera – Sleeve	Acciaio Inox – Stainless Steel
Valvola – Valve	Ottone-Brass
Molle – Springs	Acciaio Inox – Stainless Steel
Sfere – Balls	Acciaio Inox – Stainless Steel
Nipplo – Nipple	Ottone – Brass
O-rings	NBR

OPTIONALS



PC1501 INNESTO RAPIDO CON PORTA-GOMMA EASY-LOCK - EASY-LOCK HOSE STEM SOCKET

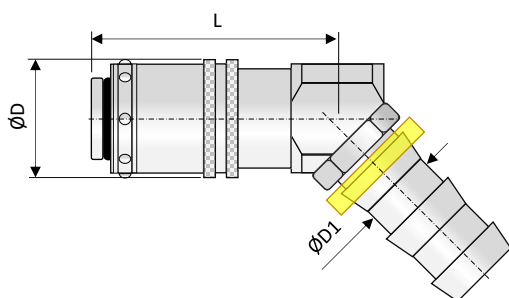


Codice-Code	MISURA SIZE	ØD	ØD1	L
-------------	----------------	----	-----	---

Senza valvola - without valve

PC1501-08-10-N	8	20	9.5 - 3/8"	66
PC1501-08-13-N	8	20	12.7 -	66
PC1501-12-13-N	12	28	12.7 -	71
PC1501-12-16-N	12	28	16 - 5/8"	82

PC1505 INNESTO RAPIDO CON PORTA-GOMMA EASY-LOCK 45° - 45° EASY-LOCK HOSE STEM SOCKET

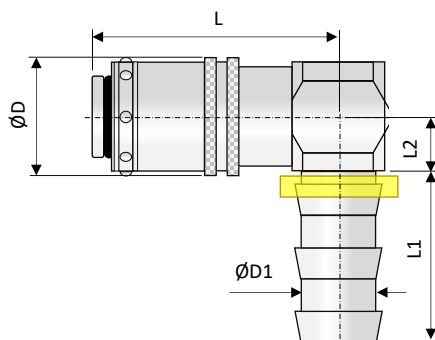


Codice-Code	MISURA SIZE	ØD	ØD1	L
-------------	----------------	----	-----	---

Senza valvola - without valve

PC1505-08-10-N	8	20	9.5 - 3/8"	45.5
PC1505-08-13-N	8	20	12.7 -	45.5
PC1505-12-13-N	12	28	12.7 -	54
PC1505-12-16-N	12	28	16 - 5/8"	54

PC1509 INNESTO RAPIDO CON PORTA-GOMMA EASY-LOCK 90° - 90° EASY-LOCK HOSE STEM SOCKET

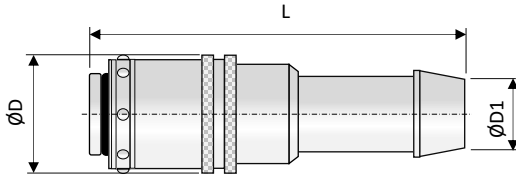


Codice-Code	MISURA SIZE	ØD	ØD1	L
-------------	----------------	----	-----	---

Senza valvola - without valve

PC1509-08-10-N	8	20	9.5 - 3/8"	45.5
PC1509-08-13-N	8	20	12.7 -	45.5
PC1509-12-13-N	12	28	12.7 -	54
PC1509-12-16-N	12	28	16 - 5/8"	54

PC1503 INNESTO RAPIDO CON PORTA-GOMMA STANDARD - STANDARD HOSE STEM SOCKET

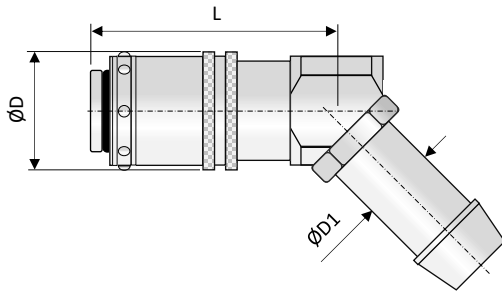


Codice-Code	MISURA SIZE	ØD	ØD1	L
-------------	----------------	----	-----	---

Senza valvola - without valve

PC1503-06-06-N	6	17	6 - 1/4"	55
PC1503-06-08-N	6	17	8 - 5/16"	55
PC1503-08-06-N	8	20	6 - 1/4"	66
PC1503-08-08-N	8	20	8 - 5/16"	66
PC1503-08-10-N	8	20	10 - 3/8"	66
PC1503-08-12-N	8	20	12 -	66
PC1503-08-13-N	8	20	13 - 1/2"	66
PC1503-12-13-N	12	28	13 - 1/2"	78
PC1503-12-16-N	12	28	16 - 5/8"	78

PC1507 INNESTO RAPIDO CON PORTA-GOMMA STANDARD 45° - 45° STANDARD HOSE STEM SOCKET

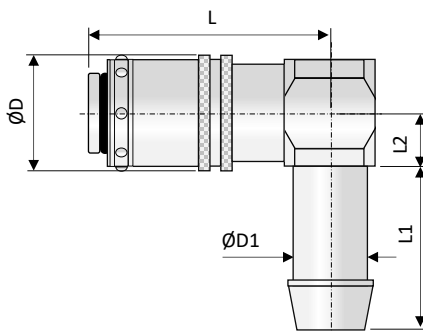


Codice-Code	MISURA SIZE	ØD	ØD1	L
-------------	----------------	----	-----	---

Senza valvola - without valve

PC1507-08-06-N	8	20	6 - 1/4"	47.5
PC1507-08-08-N	8	20	8 - 5/16"	47.5
PC1507-08-10-N	8	20	10 - 3/8"	47.5
PC1507-08-12-N	8	20	12 -	47.5
PC1507-08-13-N	8	20	13 - 1/2"	47.5
PC1507-12-13-N	12	28	13 - 1/2"	54
PC1507-12-16-N	12	28	16 - 5/8"	54

PC1511 INNESTO RAPIDO CON PORTA-GOMMA STANDARD 90° - WITH 90° STANDARD HOSE STEM SOCKET

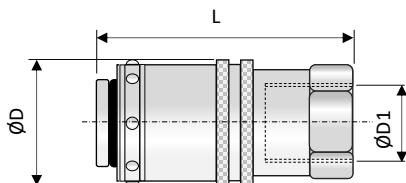


Codice-Code	MISURA SIZE	ØD	ØD1	L
-------------	----------------	----	-----	---

Senza valvola - without valve

PC1511-08-06-N	8	20	6 - 1/4"	45.5
PC1511-08-08-N	8	20	8 - 5/16"	45.5
PC1511-08-10-N	8	20	10 - 3/8"	45.5
PC1511-08-12-N	8	20	12 -	45.5
PC1511-08-13-N	8	20	13 - 1/2"	45.5
PC1511-12-13-N	12	28	13 - 1/2"	54
PC1511-12-16-N	12	28	16 - 5/8"	54

PC1519 INNESTO RAPIDO CON FILETTO FEMMINA BSPP IN LINEA - BSPP FEMALE THREAD SOCKET

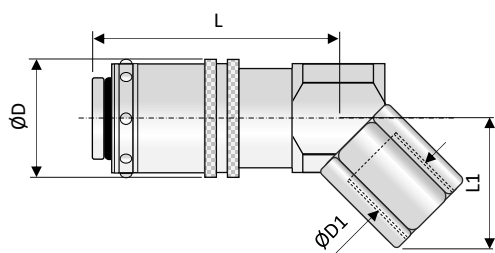


Codice-Code	MISURA SIZE	ØD	ØD1	L	L1
-------------	----------------	----	-----	---	----

Senza valvola - without valve

PC1519-08-G14-N	8	20	G 1/4"	48.5	-
PC1519-08-G38-N	8	20	G 3/8"	48.5	-
PC1519-12-G12-N	12	28	G 1/2"	71	-
PC1519-12-G34-N	12	28	G 3/4"	82	-

PC1521 INNESTO RAPIDO CON FILETTO FEMMINA BSPP 45° - 45° BSPP FEMALE THREAD SOCKET

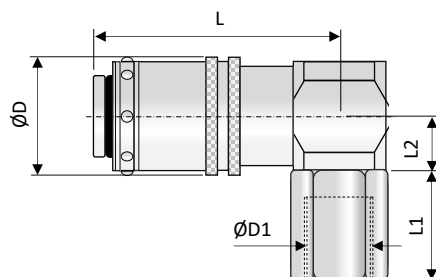


Codice-Code	MISURA SIZE	ØD	ØD1	L	L1
-------------	----------------	----	-----	---	----

Senza valvola - without valve

PC1521-08-G14-N	8	20	G 1/4"	43	14
PC1521-08-G38-N	8	20	G 3/8"	72	14.5
PC1521-12-G12-N	12	28	G 1/2"	72	17
PC1521-12-G34-N	12	28	G 3/4"	72	17

PC1523 INNESTO RAPIDO CON FILETTO FEMMINA BSPP 90° - 90° BSPP FEMALE THREAD SOCKET

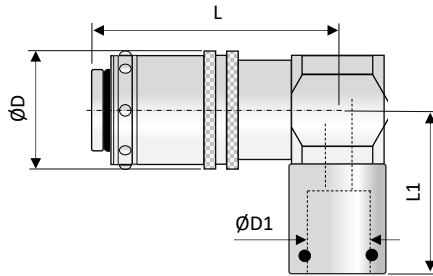


Codice-Code	MISURA SIZE	ØD	ØD1	L	L1
-------------	----------------	----	-----	---	----

Senza valvola - without valve

PC1523-08-G14-N	8	20	G 1/4"	48.5	14
PC1523-08-G38-N	8	20	G 3/8"	75	14.5
PC1523-12-G12-N	12	28	G 1/2"	75.5	20
PC1523-12-G34-N	12	28	G 3/4"	75.5	20

PC1531 INNESTO RAPIDO PER PONTE - BRIDGE SOCKET

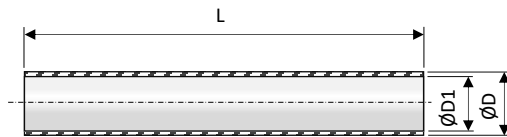


Codice-Code	MISURA SIZE	ØD	ØD1	F	L	L1
-------------	----------------	----	-----	---	---	----

Senza valvola - without valve

PC1531-08-11-N	8	20	10	8	-	54
PC1531-12-14-N	12	28	14	12	-	73

PC1590 TUBO LISCIO PER PONTE STRAIGHT TUBE FOR BRIDGE



PC1590-11-100-X	8	10	8	-	100	-
PC1590-11-250-X	8	10	8	-	250	-
PC1590-11-500-X	8	10	8	-	500	-

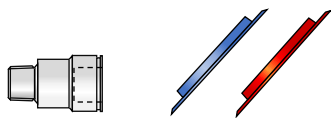
PC1597 ANELLO COLORATO PER INNESTO RAPIDO COLORED RING FOR SOCKET



Codice-Code	MISURA SIZE	Colore - Color
-------------	----------------	----------------

PC1597-06-R	6	rosso - red
PC1597-06-B	6	blu - blue
PC1597-08-R	8	rosso - red
PC1597-08-B	8	blu - blue
PC1597-12-R	12	rosso - red
PC1597-12-B	12	blu - blue

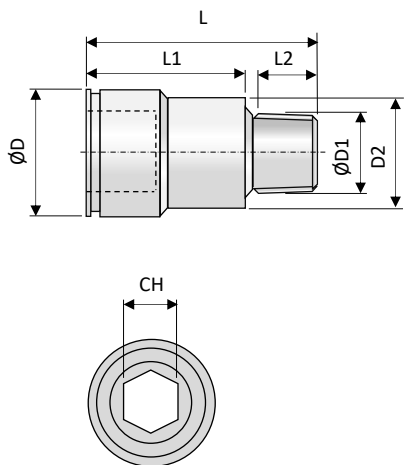
PC1598 ANELLO COLORATO PER NIPPLO COLORED RING FOR PLUG



Codice-Code	MISURA SIZE	Colore - Color
-------------	----------------	----------------

PC1598-06-R	6	rosso - red
PC1598-06-B	6	blu - blue
PC1598-08-R	8	rosso - red
PC1598-08-B	8	blu - blue
PC1598-12-R	12	rosso - red
PC1598-12-B	12	blu - blue

PC1522 NIPPLO CON FILETTO MASCHIO BSPT - BSPT MALE THREAD PLUG



Codice-Code	MISURA SIZE	CH	ØD	ØD1	D2	L	L1	L2
-------------	----------------	----	----	-----	----	---	----	----

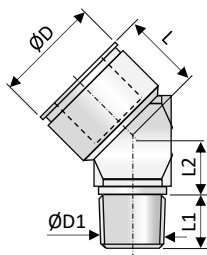
Senza valvola - without valve

PC1522-06-M10-N	6	6	17	M10x1.5	17.5	28.5	18.5	10
PC1522-06-R18-N	6	6	17	R 1/8"	17.5	28.5	18.5	10
PC1522-06-R14-N	6	6	17	R 1/4"	17.5	30.5	18.5	12
PC1522-08-M10-N	8	6	21	M10x1.5	17.5	31	21	10
PC1522-08-M101-N	8	6	21	M10x1	17.5	31	21	10
PC1522-08-M14-N	8	8	21	M14x1.5	17.5	31	21	11
PC1522-08-R18-N	8	6	21	R 1/8"	17.5	31	21	7
PC1522-08-R14-N	8	8	21	R 1/4"	17.5	33	21	11
PC1522-08-R38-N	8	8	21	R 3/8"	17.5	24	21	11
PC1522-12-R38-N	12	8	32	R 3/8"	25	41	28	11
PC1522-12-R12-N	12	8	32	R 1/2"	25	44	28	16
PC1522-12-R34-N	12	8	32	R 3/4"	25	32	28	14

Con valvola - with valve

PC1522-08-R18-BYN-N	8	6	21	R 1/8"	17.5	31	21	11
PC1522-08-R14-BYN-N	8	8	21	R 1/4"	17.5	33	21	11
PC1522-08-R38-BYN N	8	8	21	R 3/8"	17.5	24	21	11

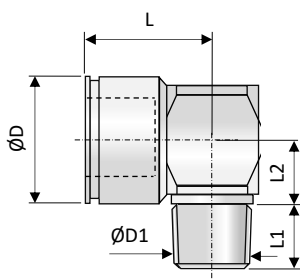
PC1548 NIPPLO FILETTO MASCHIO BSPT 45° - 45° BSPT MALE THREAD PLUG



Codice-Code	MISURA SIZE	CH	ØD	ØD1	D2	L	L1	L2
-------------	----------------	----	----	-----	----	---	----	----

PC1548-08-R18-N	8	-	21	R 1/8"	17.5	33	24	10
PC1548-08-R14-N	8	-	21	R 1/4"	17.5	33	24	12
PC1548-08-R38-N	8	-	21	R 3/8"	17.5	33	24	13

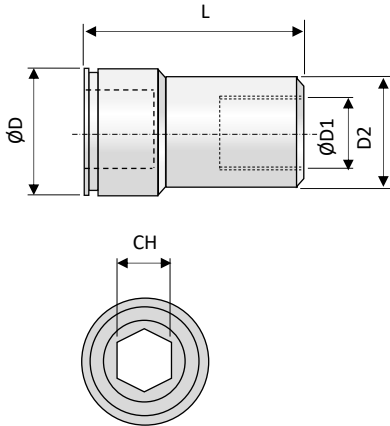
PC1526 NIPPLO FILETTO MASCHIO BSPT 90° - 90° BSPT MALE THREAD PLUG



Codice-Code	MISURA SIZE	CH	ØD	ØD1	D2	L	L1	L2
-------------	----------------	----	----	-----	----	---	----	----

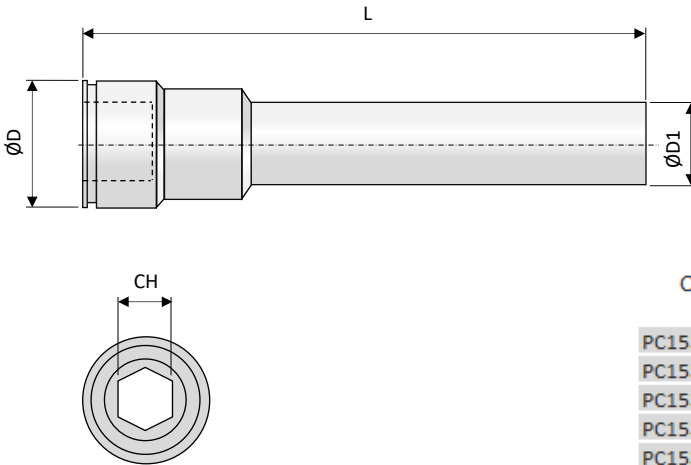
PC1526-08-G18-N	8	-	21	G 1/8"	17.5	33	24	10
PC1526-08-G14-N	8	-	21	G 1/4"	17.5	33	24	12
PC1526-08-G38-N	8	-	21	G 3/8"	17.5	33	24	13

PC1530 NIPPLO CON FILETTO FEMMINA BSPP - BSPP FEMALE THREAD PLUG



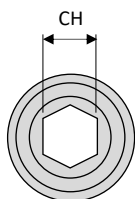
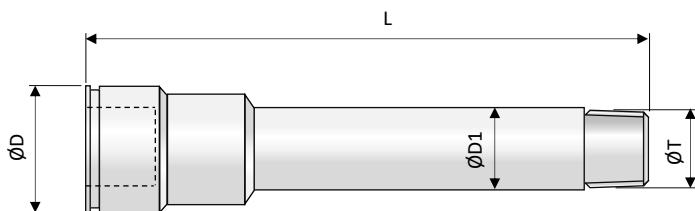
Codice-Code	MISURA SIZE	CH	ØD	ØD1	D2	L
PC1530-08-G18-N	8	6	21	G 1/8"	17.5	39
PC1530-08-G14-N	8	8	21	G 1/4"	17.5	39
PC1530-12-G38-N	12	12	32	G 3/8"	25	49
PC1530-12-G12-N	12	12	32	G 1/2"	25	50

PC1534 NIPPLO PROLUNGATO LISCIO - EXTENDED STRAIGHT TUBE PLUG



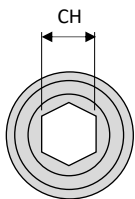
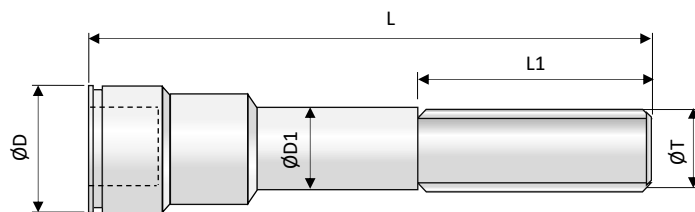
Codice-Code	MISURA SIZE	CH	ØD	ØD1	D2	L
PC1534-08-10-050-N	8	6	21	10.2	17.5	50
PC1534-08-10-100-N	8	6	21	10.2	17.5	100
PC1534-08-10-150-N	8	6	21	10.2	17.5	150
PC1534-08-10-200-N	8	6	21	10.2	17.5	200
PC1534-08-10-250-N	8	6	21	10.2	17.5	250
PC1534-08-13-100-N	8	8	32	13.5	17.5	100
PC1534-08-13-150-N	8	8	32	13.5	17.5	150
PC1534-08-13-200-N	8	8	32	13.5	17.5	200
PC1534-08-13-250-N	8	8	32	13.5	17.5	250

PC1538 NIPPLO PROLUNGATO ESTREMITA' FILETTO MASCHIO BSPT
 EXTENDED STRAIGHT TUBE AND BSPT MALE THREAD PLUG



Codice-Code	MISURA SIZE	CH	ØD	ØD1	L	L1	ØT
PC1538-08-R18-L100-N	8	6	21	10.2	100	-	R 1/8"
PC1538-08-R18-L150-N	8	6	21	10.2	150	-	R 1/8"
PC1538-08-R18-L200-N	8	6	21	10.2	200	-	R 1/8"
PC1538-08-R18-L250-N	8	6	21	10.2	250	-	R 1/8"
PC1538-08-R14-L100-N	8	6	21	10.2	100	-	R 1/4"
PC1538-08-R14-L150-N	8	6	21	10.2	150	-	R 1/4"
PC1538-08-R14-L200-N	8	6	21	10.2	200	-	R 1/4"
PC1538-08-R14-L250-N	8	6	21	10.2	250	-	R 1/4"
PC1538-12-R38-L100-N	12	8	32	13.5	100	-	R 3/8"
PC1538-12-R38-L150-N	12	8	32	13.5	150	-	R 3/8"
PC1538-12-R38-L200-N	12	8	32	13.5	200	-	R 3/8"
PC1538-12-R38-L250-N	12	8	32	13.5	250	-	R 3/8"
PC1538-12-R12-L100-N	12	8	32	13.5	100	-	R 1/2"
PC1538-12-R12-L150-N	12	8	32	13.5	150	-	R 1/2"
PC1538-12-R12-L200-N	12	8	32	13.5	200	-	R 1/2"
PC1538-12-R12-L250-N	12	8	32	13.5	250	-	R 1/2"

PC1540 NIPPLO PROLUNGATO ESTREMITA' FILETTO MASCHIO BSPP LUNGO
 EXTENDED STRAIGHT TUBE AND LONG BSPP MALE THREAD PLUG



Codice-Code	MISURA SIZE	CH	ØD	ØD1	L	L1	ØT
PC1540-08-G18-L050-N	8	6	21	10.2	50	26	G 1/8"
PC1540-08-G18-L100-N	8	6	21	10.2	100	60	G 1/8"
PC1540-08-G18-L150-N	8	6	21	10.2	150	60	G 1/8"
PC1540-08-G14-L050-N	8	8	21	10.2	50	27	G 1/4"
PC1540-08-G14-L100-N	8	8	21	10.2	100	60	G 1/4"
PC1540-08-G14-L150-N	8	8	21	10.2	150	60	G 1/4"
PC1540-08-G14-L200-N	8	8	21	10.2	200	60	G 1/4"



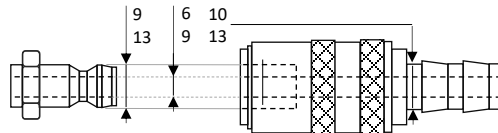
PC1600

Innesti rapidi standard Italiano, intercambiabili con altri marchi con la stessa denominazione o profilo.
 Italian Standard Quick couplings, Fully interchangeable with other brands with the same plug profile.

CARATTERISTICHE DI FUNZIONAMENTO – TECHNICAL FEATURES

Range di temperatura di esercizio:	acqua non pressurizzata +120°C; olio diatermico +180°C
Pressione max. di esercizio:	15 Bar
Working temperature range:	Non-pressurized water +120°C; diathermic oil +180°C
Max. working pressure:	15 Bar

Diametri e passaggio flusso:
 Size and flow size:



CARATTERISTICHE COSTRUTTIVE – CONSTRUCTION FEATURES

Corpo – Socket Body	Ottone – Brass
Ghiera – Sleeve	Ottone – Brass (nichelato per versione senza valvola /Nickel plated for version without shut-off)
Valvola – Valve	Ottone – Brass
Molle – Springs	Acciaio Inox – Stainless Steel
Sfere – Balls	Acciaio Inox – Stainless Steel
Nipplo – Nipple	Ottone – Brass
O-Rings	FKM

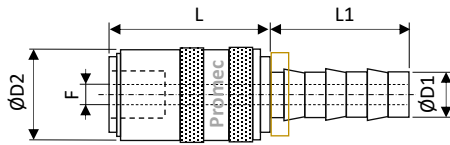
OPTIONALS

Con valvola di ritegno – With shut-off Valve
 Senza valvola – Without valve

Y
 N

PC1611-09-10-BYNV

PC1601 INNESTO RAPIDO CON PORTA-GOMMA EASY-LOCK - EASY-LOCK HOSE STEM SOCKET



Codice-Code	misura size	ØD1	ØD2	ØF	L	L1
-------------	-------------	-----	-----	----	---	----

Senza valvola - without valve

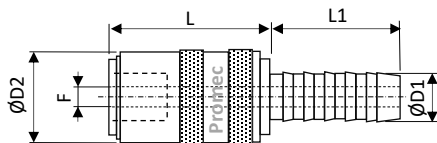
PC1101-09-10-XNV	6	10	18	6	30	24
PC1601-09-13-XLV	9	13	25	9	36.4	28

Con valvola - with valve

PC1101-09-10-YNV	6	10	18	6	30	24
PC1601-09-13-YLX	9	13	25	9	36.4	28

La misura da 6 è compatibile con serie Europa
 Size 6 is compatible with European series

PC1603 INNESTO RAPIDO CON PORTA-GOMMA STANDARD - STANDARD HOSE SOCKET



Codice-Code	misura size	ØD1	ØD2	ØF	L	L1
-------------	-------------	-----	-----	----	---	----

Senza valvola - without valve

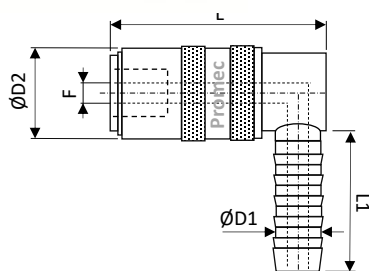
PC1103-09-10-XNV	6	10	18	6	30	18
PC1603-09-13-XNV	9	13	25	9	36.4	24.8

Con valvola - with valve

PC1103-09-10-YNV	6	10	18	6	30	18
PC1603-09-13-YNV	9	13	25	9	36.4	24.8

La misura da 6 è compatibile con serie Europa
 Size 6 is compatible with European series

PC1611 INNESTO RAPIDO CON PORTA-GOMMA STANDARD 90° - WITH 90° STANDARD HOSE STEM SOCKET



Codice-Code	misura size	ØD1	ØD2	ØF	L	L1
-------------	-------------	-----	-----	----	---	----

Senza valvola - without valve

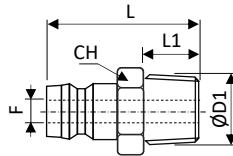
PC1111-09-09-XNV	6	10	18	6	42	26
PC1611-09-13-XNV	9	13	25	9	52	24

Con valvola - with valve

PC1111-09-09-YNV	6	10	18	6	42	26
PC1611-09-13-YNV	9	13	25	9	52	24

La misura da 6 è compatibile con serie Europa
 Size 6 is compatible with European series

PC1622 NIPPLO FILETTO MASCHIO BSPT - BSPT MALE THREAD PLUG

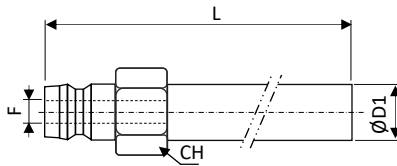


Codice-Code | misura size | CH | ØD1 | ØF | L

Senza valvola - without valve

PC1622-06-R18	6	11	R 1/8"	6	28
PC1622-06-M10	6	11	M10	6	28
PC1622-06-R14	6	14	R 1/4"	6	28
PC1622-09-R14	9	14	R 1/4"	9	29
PC1622-09-R38	9	17	R 3/8"	9	29
PC1622-09-R12	9	22	R 1/2"	9	29

PC1634 NIPPLO PROLUNGATO LISCIO - EXTENDED STRAIGHT TUBE PLUG



Codice-Code | misura size | CH | ØD1 | ØF | L

Senza valvola - without valve

PC1634-06-B-120	6	14	10	6	120
PC1634-06-B-240	6	14	10	6	240
PC1634-06-B-360	6	14	10	6	360
PC1634-09-B-150	9	17	14	9	150
PC1634-09-B-300	9	17	14	9	300



PC1700

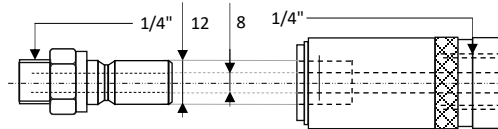
Innesti rapidi standard Italiano, intercambiabili con altri marchi con la stessa denominazione o profilo.

Italian Standard Quick couplings, Fully interchangeable with other brands with the same plug profile.

CARATTERISTICHE DI FUNZIONAMENTO – TECHNICAL FEATURES

Range di temperatura di esercizio:	acqua non pressurizzata\olio diatermico -20\+120°C
Pressione max. di esercizio:	18 Bar
Working temperature range:	water\diathermic oil -20\+120°C with FKM seals (standard)
Max. working pressure:	18 Bar

Diametri e passaggio flusso:
Size and flow size:



CARATTERISTICHE COSTRUTTIVE – CONSTRUCTION FEATURES

Corpo – Socket Body	Ottone nichelato – Nickel plated brass
Ghiera – Sleeve	Ottone nichelato – Nickel plated brass
Valvola – Valve	Ottone nichelato – Nickel plated brass
Molle – Springs	Acciaio Inox Aisi 302– Stainless Steel
Sfere – Balls	Acciaio Inox – Stainless Steel
Nipplo – Nipple	Ottone – Brass
O-Rings	FKM

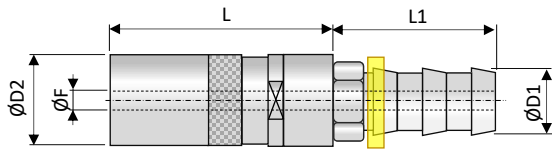
OPTIONALS

Con valvola di ritegno – With shut-off Valve
Senza valvola – Without valve

Y
X

PC1719-08-G14-BYNV

PC1701 INNESTO RAPIDO CON PORTA-GOMMA EASY-LOCK - EASY-LOCK HOSE STEM SOCKET



Codice-Code	CH	F	ØD1	D2	L	L1
-------------	----	---	-----	----	---	----

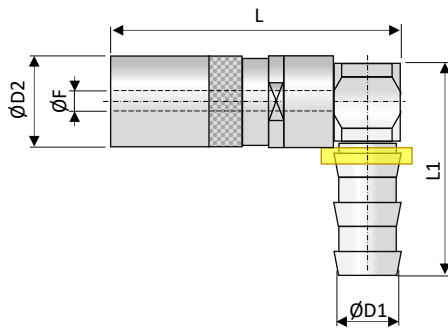
Senza valvola - without valve

PC1701-08-10-BX	21	8	10	25	56	31
PC1701-08-13-BX			13			32

Con valvola - with valve

PC1701-08-10-BY	21	8	10	25	56	31
PC1701-08-13-BY			13			32

PC1709 INNESTO RAPIDO CON PORTA-GOMMA EASY-LOCK 90° - 90° EASY-LOCK HOSE STEM SOCKET



Codice-Code	CH	F	ØD1	D2	L	L1
-------------	----	---	-----	----	---	----

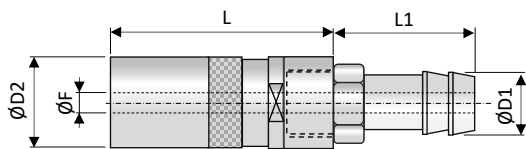
Senza valvola - without valve

PC1709-08-10-BX	21	8	10	25	76	51
PC1709-08-13-BX			13			51

Con valvola - with valve

PC1709-08-10-BY	21	8	10	25	76	51
PC1709-08-13-BY			13			51

PC1703 INNESTO RAPIDO CON PORTA-GOMMA STANDARD- STANDARD HOSE STEM SOCKET



Codice-Code	CH	F	ØD1	D2	L	L1
-------------	----	---	-----	----	---	----

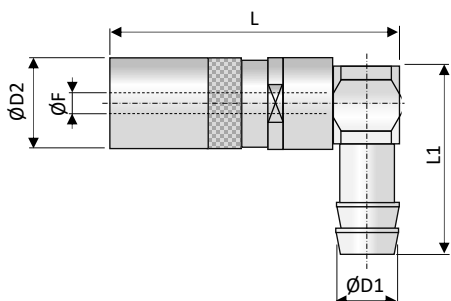
Senza valvola - without valve

PC1703-08-10-BX	21	8	10	25	56	25
PC1703-08-13-BX			13			34.5

Con valvola - with valve

PC1703-08-10-BY	21	8	10	25	56	25
PC1703-08-13-BY			13			34.5

PC1711 INNESTO RAPIDO CON PORTA-GOMMA STANDARD 90° - 90° STANDARD HOSE STEM SOCKET



Codice-Code	CH	F	ØD1	D2	L	L1
-------------	----	---	-----	----	---	----

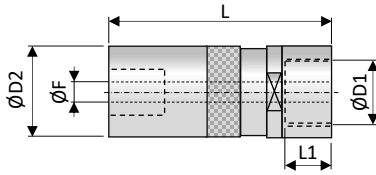
Senza valvola - without valve

PC1711-08-10-BX	21	8	10	25	76	52
PC1711-08-13-BX			13			54

Con valvola - with valve

PC1711-08-10-BY	21	8	10	25	76	52
PC1711-08-13-BY			13			54

PC1719 INNESTO RAPIDO CON FILETTO FEMMINA BSPP
BSPP FEMALE THREAD SOCKET



Codice-Code	CH	F	D1	D2	L	L1	L2
-------------	----	---	----	----	---	----	----

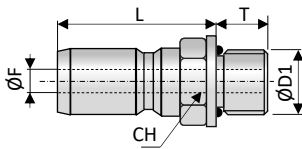
Senza valvola - without valve

PC1719-08-G014-BXNV	21	8	G1/4"	25	56	8	-
---------------------	----	---	-------	----	----	---	---

Con valvola - with valve

PC1719-08-G014-BYNV	21	8	G1/4"	25	56	8	-
---------------------	----	---	-------	----	----	---	---

PC1718 NIPPLO FILETTO MASCHIO BSPP CON O-RING
BSPP MALE THREAD PLUG WITH O-RING

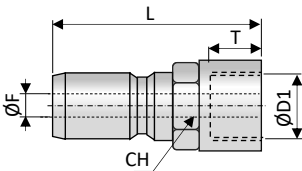


Codice-Code	CH	F	D1	D2	L	L1	L2
-------------	----	---	----	----	---	----	----

Senza valvola - without valve

PC1718-08-G014	14	8	G1/4"	18	37	8	-
----------------	----	---	-------	----	----	---	---

PC1730 NIPPLO FILETTO FEMMINA BSPP
BSPP FEMALE THREAD PLUG

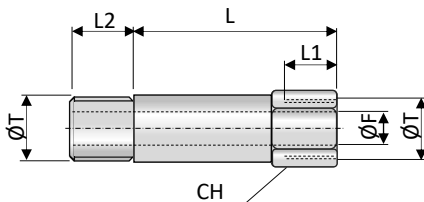


Codice-Code	CH	F	D1	D2	L	L1	L2
-------------	----	---	----	----	---	----	----

Senza valvola - without valve

PC1730-08-G014	-	8	G1/4"	17	37,5	8	-
----------------	---	---	-------	----	------	---	---

PC1738 PROLUNGA FILETTO MASCHIO-FEMMINA BSPP
BSPP MALE-FEMALE EXTENSION PLUG



Codice-Code	CH	F	L	L1	L2	T
-------------	----	---	---	----	----	---

PC1738-08-G014-L035	17	8	35	11	8	G1/4"
---------------------	----	---	----	----	---	-------

PC1738-08-G014-L051	17	8	51	11	8	G1/4"
---------------------	----	---	----	----	---	-------

PC1800

Innesti rapidi per portate elevate intercambiabili con altri marchi con la stessa denominazione o profilo.

High flow Quick couplings series. Fully interchangeable with other brands with the same plug profile.



CARATTERISTICHE DI FUNZIONAMENTO – TECHNICAL FEATURES

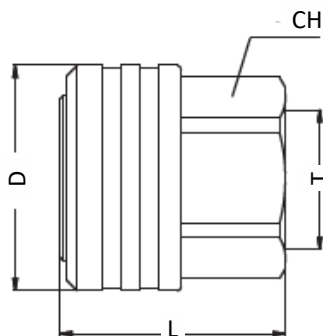
Range di temperatura di esercizio: -20\+100°C con guarnizioni standard NBR
Pressione max. di esercizio: 15 Bar

Working temperature range: -20\+100°C with NBR standard seals
Max. working pressure: 15 Bar

CARATTERISTICHE COSTRUTTIVE – CONSTRUCTION FEATURES

Corpo – Socket Body	Ottone nichelato – Nickel plated brass
Ghiera – Sleeve	Ottone nichelato – Nickel plated brass
Molle – Springs	Acciaio Inox Aisi 302– Stainless Steel
Sfere – Balls	Acciaio Inox – Stainless Steel
Nipplo – Nipple	Ottone – Brass
O-Rings	NBR (FKM optional)

PC1819 INNESTO RAPIDO CON FILETTO FEMMINA BSPP - BSPP FEMALE THREAD SOCKET

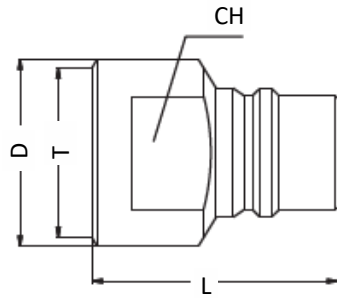


Codice-Code	CH	ØD	L	ØT
-------------	----	----	---	----

Senza valvola - without valve

PC1819-25-G1-B	41	57	57	G1"
PC1819-33-G114-B	50	65	62	G1"1/4
PC1819-50-G112-B	60	78	66	G1"1/2
PC1819-50-G2-B	70	89	70	G2"

PC1830 NIPPO RAPIDO CON FILETTO FEMMINA BSPP - BSPP FEMALE THREAD PLUG

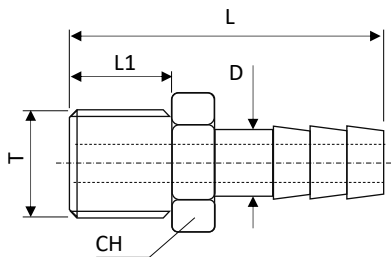


Codice-Code | CH | ϕ D | L | L1 | ϕ T

Senza valvola - without valve

PC1830-25-G1-B	41	45	61	-	G1"
PC1830-33-G114-B	50	55	66	-	G1"1/4
PC1830-50-G0-B	71	75	78	-	G2"

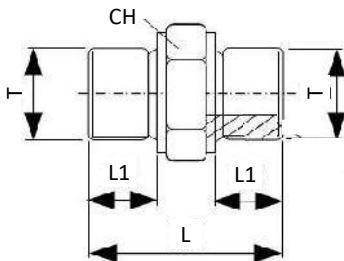
PC2226 RACCORDO PORTAGOMMA IN OTTONE CON FILETTO MASCHIO BSPP
BRASS HOSE TAIL WITH BSPP MALE THREAD



Codice-Code | CH | ϕ D | L | L1 | ϕ T

PC2226-25-G1	40	30	70	19	G1"
PC2226-33-G114	50	40	69	21	G1"1/4
PC2226-50-G2	70	50	85	25	G2"

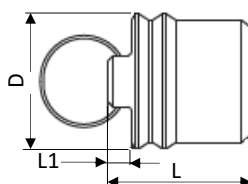
PC2205 NIPPO IN OTTONE CON FILETTO MASCHIO\MASCHIO BSPP
MALE\MALE FITTING WITH BSPP THREAD



Codice-Code | CH | ϕ D | L | L1 | ϕ T

PC2205-G1	50	-	52	19	G1"
PC2205-G114	52	-	52	21	G1"1/4
PC2205-G2	65	-	65	25	G2"

PC1819-P TAPPO DI PROTEZIONE PER INNESTO FEMMINA - PROTECTION PLUG FOR SOCKET



Codice-Code | CH | ϕ D | L | L1 | ϕ T

PC1819-25-P	-	34	41	10	-
PC1819-33-P	-	42	46	10	-
PC1819-50-P	-	60	55	10	-



PC2900

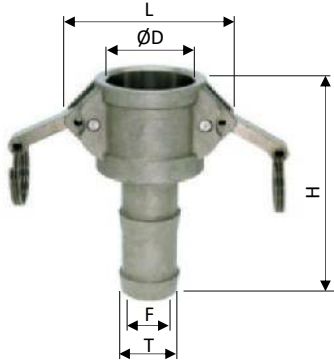
Innesti rapidi Camlock DIN EN 14 420-7 per portate elevate intercambiabili con altri marchi con la stessa denominazione o profilo. Costruzione in Aisi 1.4401.

Camlock quick couplings DIN EN 14 420-7 (MIL-C.-27487) for high flow connections. Fully interchangeable with other brands with the same plug profile.

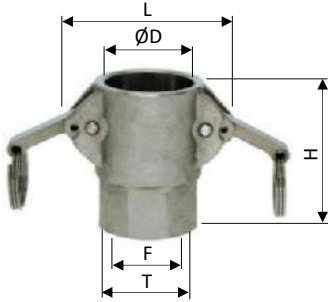
Aisi 1.4401 construction.

CARATTERISTICHE DI FUNZIONAMENTO – TECHNICAL FEATURES

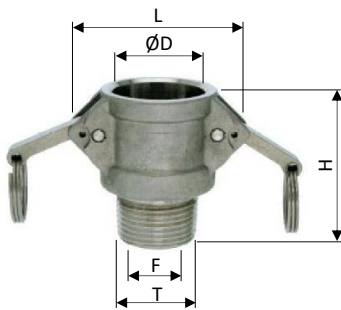
Range di temperatura di esercizio:	-40\+95°C con guarnizioni standard NBR
Pressione max. di esercizio:	16 Bar
Working temperature range:	-40\+95°C with NBR standard seals
Max. working pressure:	16 Bar

PC2901 INNESTO CON PORTAGOMMA - COUPLING WITH HOSE STEM


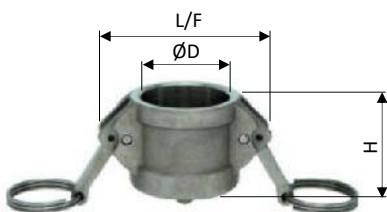
Codice - Code	misura size	ØD	DN	ØF	H _{max}	L _{max}	ØT
PC2901-075-019	75=3/4"	32.4	20	14.7	80	63	19/20.4
PC2901-100-025	100=1"	37.3	25	20.6	94	63	25/26.5
PC2901-125-032	125=1 1/4"	46	32	27.5	106	79	32/33
PC2901-150-038	150=1 1/2"	54	40	34	107	83	38/40
PC2901-200-050	200=2"	63.8	50	45	126	96	50/53

PC2903 INNESTO CON FILETTO FEMMINA - BSPP COUPLING WITH BSPP FEMALE THREAD


Codice - Code	misura size	ØD	DN	ØF	H _{max}	L _{max}	ØT
PC2903-075-G34	75=3/4"	32.4	20	20	52	63	G3/4"
PC2903-100-G1	100=1"	37.3	25	25	62	63	G1"
PC2903-125-G114	125=1 1/4"	46	32	32	70	79	G1"1/4
PC2903-150-G112	150=1 1/2"	54	40	40	71	80	G1"1/2
PC2903-200-G2	200=2"	63.8	50	50	78	96	G2"

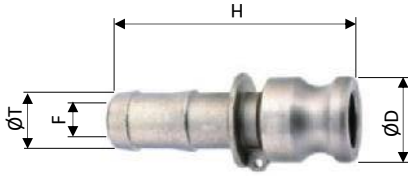
PC2905 INNESTO CON FILETTO MASCHIO BSPT - COUPLING WITH BSPT MALE THREAD


Codice - Code	misura size	ØD	DN	ØF	H _{max}	L _{max}	ØT
PC2905-075-R34	75=3/4"	32.4	20	19	54	63	R3/4"
PC2905-100-R1	100=1"	37.3	25	26	64	63	R1"
PC2905-125-R114	125=1 1/4"	46	32	33	70	79	R1"1/4
PC2905-150-R112	150=1 1/2"	54	40	39	71	80	R1"1/2
PC2905-200-R2	200=2"	63.8	50	50	78	96	R2"

PC2907 INNESTO CIECO - BLIND COUPLING


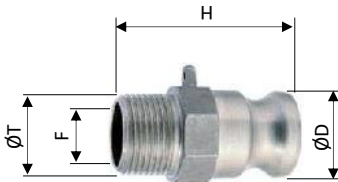
Codice - Code	misura size	ØD	DN	ØF	H _{max}	L _{max}	ØT
PC2907-075	75=3/4"	32.4	20	-	42	63	-
PC2907-100	100=1"	37.3	25	-	49	63	-
PC2907-125	125=1 1/4"	46	32	-	57	79	-
PC2907-150	150=1 1/2"	54	40	-	59	80	-
PC2907-200	200=2"	63.8	50	-	63	96	-

PC2902 NIPPLO CON PORTAGOMMA - PLUG WITH HOSE STEM



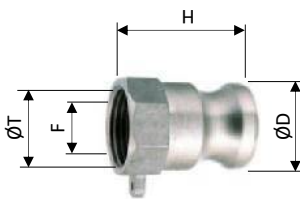
Codice - Code	misura size	ØD	DN	ØF	H max	ØT
PC2902-075-019	75=3/4"	32.1	20	14	88	19/20
PC2902-100-025	100=1"	36.7	25	20	103	25/27
PC2902-125-032	125=1	45.5	32	25	110	32/33
PC2902-150-038	150=1	53.4	40	32	120	38/40
PC2902-200-050	200=2"	63	50	43	146	50/53

PC2904 NIPPLO CON FILETTO MASCHIO BSPT - PLUG WITH BSPT MALE THREAD



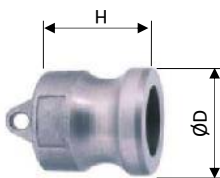
Codice - Code	misura size	ØD	DN	ØF	H max	ØT
PC2904-075-R34	75=3/4"	32.1	20	22	64	R3/4"
PC2904-100-R100	100=1"	36.7	25	24	72	R1"
PC2904-125-R114	125=1	45.5	32	29	81	R1"1/4
PC2904-150-R112	150=1	53.4	40	38	84	R1"1/2
PC2904-200-R200	200=2"	63	50	51	90	R2"

PC2906 NIPPLO CON FILETTO FEMMINA BSPP - PLUG WITH BSPP FEMALE THREAD



Codice - Code	misura size	ØD	DN	ØF	H max	ØT
PC2906-075-G34	75=3/4"	32.1	20	22	42	G3/4"
PC2906-100-G100	100=1"	36.7	25	24	52	G1"
PC2906-125-G114	125=1	45.5	32	29	58	G1"1/4
PC2906-150-G112	150=1	53.4	40	38	62	G1"1/2
PC2906-200-G200	200=2"	63	50	51	71	G2"

PC2908 NIPPLO CIECO - BLIND PLUG



Codice - Code	misura size	ØD	DN	ØF	H max	ØT
PC2908-075	75=3/4"	32.1	20	-	39	-
PC2908-100	100=1"	36.7	25	-	46	-
PC2908-125	125=1	45.5	32	-	55	-
PC2908-150	150=1	53.4	40	-	57	-
PC2908-200	200=2"	63	50	-	60	-

PH1260 INNESTI RAPIDI IN OTTONE A NORMA ISO7241-B
ISO7241-B BRASS QUICK COUPLINGS

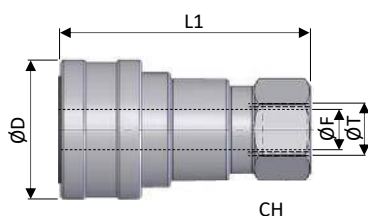


Intercambiabili con altri marchi con la stessa denominazione o profilo.
Costruzione in ottone (molla, anello di tenuta, sfere in acciaio Inox).
Utilizzo con acqua o olio.
Fully interchangeable with couplings of other Brands with the same
Norm. Made with brass (balls, rings, springs in Stainless Steel). Usable
with wate or oil.

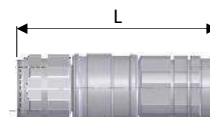
CARATTERISTICHE DI FUNZIONAMENTO – TECHNICAL FEATURES

Temperatura max. di esercizio:	+110°C con O-Rings standard NBR. Opzione O-Rings FKM
Pressione max. di esercizio:	Vedere tabella in basso.
Max working temperature:	+110°C with NBR standard seals FKM O-Rings option.
Max. working pressure:	According to the below table

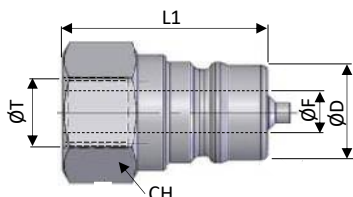
PH1260 INNESTO RAPIDO FEMMINA
FEMALE QUICK COUPLING



Codice-Code	misura size	CH	ØD	ØF	L	L1	ØT	max Bar
PH1260-04-G14	6,3 - 1/4"	19	27	6	70.5	57	G1/4"	185
PH1260-06-G38	10 - 3/8"	24	34	10	82.5	66	G3/8"	150
PH1260-08-G12	12,5 - 1/2"	27	42	12	92.5	74	G1/2"	150
PH1260-12-G34	20 - 3/4"	36	50	20	110	90	G3/4"	140
PH1260-16-G1	25 - 1"	41	60	25	133	106	G1"	105



PH1261 INNESTO RAPIDO MASCHIO
MALE QUICK COUPLING



Codice-Code	misura size	CH	ØD	ØF	L	L1	ØT	max Bar
PH1261-04-G14	6,3 - 1/4"	19	-	6	70.5	35	G1/4"	185
PH1261-06-G38	10 - 3/8"	24	-	10	82.5	42	G3/8"	150
PH1261-08-G12	12,5 - 1/2"	27	-	12	92.5	46	G1/2"	150
PH1261-12-G34	20 - 3/4"	36	-	20	110	55	G3/4"	140
PH1261-16-G1	25 - 1"	41	-	25	133	66	G1"	105

PH1210 INNESTI RAPIDI IN ACCIAIO A NORMA ISO7241-A ISO7241-A STEEL QUICK COUPLINGS



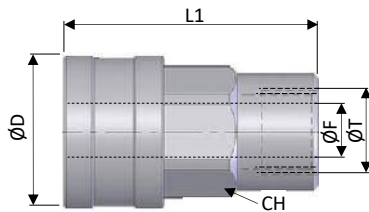
Intercambiabili con altri marchi con la stessa denominazione o profilo. Costruzione in acciaio al carbonio (maschio in acciaio temprato). Utilizzabile con acqua o olio.

Fully interchangeable with couplings of other Brands with the same Norm. Made with carbon steel (male plug hardened steel). Usable with water or oil.

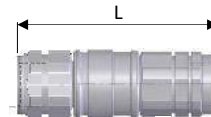
CARATTERISTICHE DI FUNZIONAMENTO – TECHNICAL FEATURES

Temperatura max. di esercizio:	+110°C con O-Rings standard NBR. Opzione O-Rings FKM
Pressione max. di esercizio:	Vedere tabella in basso.
Max working temperature:	+110°C with NBR standard seals FKM O-Rings option.
Max. working pressure:	According to the below table

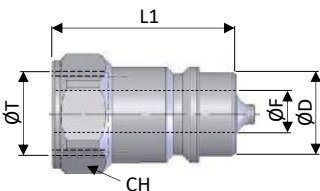
PH1210 INNESTO RAPIDO FEMMINA FEMALE QUICK COUPLING



Codice-Code	misura size	CH	ØD	ØF	L	L1	ØT	max Bar
PH1210-04-G14	6.3 - 1/4"	19	25	6	68	47	G1/4"	350
PH1210-06-G38	10 - 3/8"	24	31	10	80	58	G3/8"	315
PH1210-08-G12	12.5 - 1/2"	30	38	12	91	67	G1/2"	250
PH1210-12-G34	20 - 3/4"	38	46	20	109	81	G3/4"	250
PH1210-16-G1	25 - 1"	45	55	25	124	96	G1"	230
PH1210-20-G114	32 - 1.1/4"	50	65	32	151	117	G1 1/4"	230
PH1210-24-G112	38 - 1.1/2"	60	80	38	171	123	G1 1/2"	190



PH1211 INNESTO RAPIDO MASCHIO MALE QUICK COUPLING



Codice-Code	misura size	CH	ØD	ØF	L	L1	ØT	max Bar
PH1211-04-G14	6.3 - 1/4"	19	-	6	68	34.5	G1/4"	350
PH1211-06-G38	10 - 3/8"	22	-	10	80	39	G3/8"	315
PH1211-08-G12	12.5 - 1/2"	27	-	12	91	45	G1/2"	250
PH1211-12-G34	20 - 3/4"	34	-	20	109	54.5	G3/4"	250
PH1211-16-G1	25 - 1"	41	-	25	124	62	G1"	230
PH1211-20-G114	32 - 1.1/4"	55	-	32	151	75	G1 1/4"	230
PH1211-24-G112	38 - 1.1/2"	60	-	38	171	85	G1 1/2"	190

PH1220 INNESTI RAPIDI IN ACCIAIO A NORMA ISO7241-B
ISO7241-B STEEL QUICK COUPLINGS



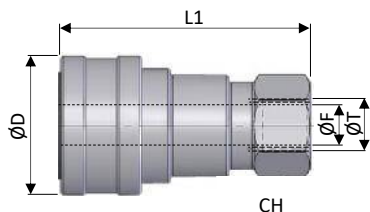
Intercambiabili con altri marchi con la stessa denominazione o profilo. Costruzione in acciaio al carbonio (maschio in acciaio temprato). Utilizzabile con acqua o olio.

Fully interchangeable with couplings of other Brands with the same Norm. Made with carbon steel (male plug hardened steel). Usable with water or oil.

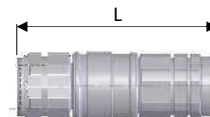
CARATTERISTICHE DI FUNZIONAMENTO – TECHNICAL FEATURES

Temperatura max. di esercizio:	+110°C con O-Rings standard NBR. Opzione O-Rings FKM
Pressione max. di esercizio:	Vedere tabella in basso.
Max working temperature:	+110°C with NBR standard seals FKM O-Rings option.
Max. working pressure:	According to the below table

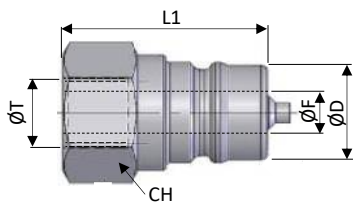
PH1220 INNESTO RAPIDO FEMMINA
FEMALE QUICK COUPLING



Codice-Code	misura size	CH	ØD	ØF	L	L1	ØT	max Bar
PH1220-04-G14	6.3 - 1/4"	19	27	6	70.5	57	G1/4"	350
PH1220-06-G38	10 - 3/8"	24	34	10	82.5	66	G3/8"	350
PH1220-08-G12	12.5 - 1/2"	27	42	12	92.5	74	G1/2"	300
PH1220-12-G34	20 - 3/4"	36	50	20	110	90	G3/4"	280
PH1220-16-G1	25 - 1"	41	60	25	133	106	G1"	230



PH1221 INNESTO RAPIDO MASCHIO
MALE QUICK COUPLING



Codice-Code	misura size	CH	ØD	ØF	L	L1	ØT	max Bar
PH1221-04-G14	6.3 - 1/4"	19	-	6	70.5	35	G1/4"	350
PH1221-06-G38	10 - 3/8"	24	-	10	82.5	42	G3/8"	350
PH1221-08-G12	12.5 - 1/2"	27	-	12	92.5	46	G1/2"	300
PH1221-12-G34	20 - 3/4"	36	-	20	110	55	G3/4"	280
PH1221-16-G1	25 - 1"	41	-	25	133	66	G1"	230

PH1250 INNESTI RAPIDI IN ACCIAIO STANDARD ITALIANO ITALIAN STANDARD STEEL QUICK COUPLINGS



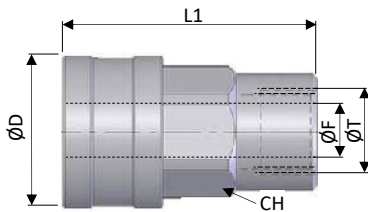
Intercambiabili con altri marchi con la stessa denominazione o profilo. Costruzione in acciaio al carbonio (maschio in acciaio temprato). Utilizzabile con acqua o olio.

Fully interchangeable with couplings of other Brands with the same Norm. Made with carbon steel (male plug hardened steel). Usable with water or oil.

CARATTERISTICHE DI FUNZIONAMENTO – TECHNICAL FEATURES

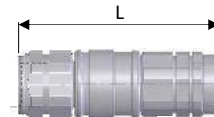
Temperatura max. di esercizio:	+110°C con O-Rings standard NBR. Opzione O-Rings FKM
Pressione max. di esercizio:	Vedere tabella in basso.
Max working temperature:	+110°C with NBR standard seals FKM O-Rings option.
Max. working pressure:	According to the below table

PH1250 INNESTO RAPIDO FEMMINA FEMALE QUICK COUPLING

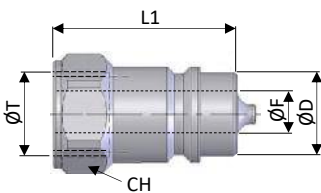


Codice-Code	misura size	CH	ØD	ØF	L	L1	ØT	max Bar
PH1250-04-G14	6.3 - 1/4"	19	27.6	6	74.7	55.5	G1/4"	400
PH1250-06-G38	10 - 3/8"	20	34	10	80.7	60.5	G3/8"	350

Per la misura da 1/2" selezionare il PH1210 - For 1/2" size select PH1210



PH1251 INNESTO RAPIDO MASCHIO MALE QUICK COUPLING



Codice-Code	misura size	CH	ØD	ØF	L	L1	ØT	max Bar
PH1251-04-G14	6.3 - 1/4"	22	14.22	6	74.7	36	G1/4"	400
PH1251-06-G38	10 - 3/8"	24	19	10	80.7	40	G3/8"	350

Per la misura da 1/2" selezionare il PH1211 - For 1/2" size select PH1211

PH1230 INNESTI RAPIDI IN ACCIAIO CON VALVOLA FACCIA PIANA NORMA ISO 16028
ISO 16028 NORM STEEL QUICK COUPLINGS WITH FLAT FACE VALVE



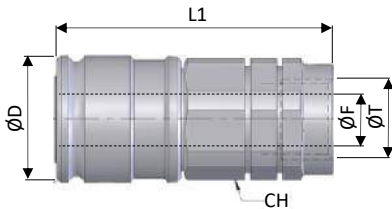
Intercambiabili con altri marchi con la stessa denominazione o profilo. Costruzione in acciaio al carbonio (maschio in acciaio temprato). Utilizzabile con acqua o olio.

Fully interchangeable with couplings of other Brands with the same Norm. Made with carbon steel (male plug hardened steel). Usable with water or oil.

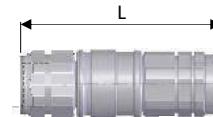
CARATTERISTICHE DI FUNZIONAMENTO – TECHNICAL FEATURES

Temperatura max. di esercizio:	+110°C con O-Rings standard NBR. Opzione O-Rings FKM
Pressione max. di esercizio:	Vedere tabella in basso.
Max working temperature:	+110°C with NBR standard seals FKM O-Rings option.
Max. working pressure:	According to the below table

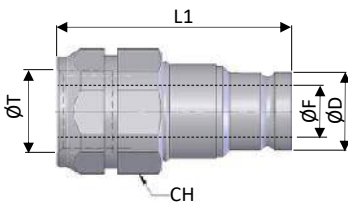
PH1230 INNESTO RAPIDO FEMMINA
FEMALE QUICK COUPLING



Codice-Code	misura size	CH	ØD	ØF	L	L1	ØT	max Bar
PH1230-04-G14	6.3 - 1/4"	24	28	6.3	108	63	G1/4"	400
PH1230-06-G38	10 - 3/8"	30	32	10	122	69	G3/8"	350
PH1230-06-G12	10 - 3/8"	30	32	10	122	69	G1/2"	350
PH1230-08-G12	12.5 - 1/2"	36	38	12.5	136	82	G1/2"	350
PH1230-08-G34	12.5 - 1/2"	36	38	12.5	136	82	G3/4"	350
PH1230-12-G34	16 - 5/8"	38	42	16	142	90	G3/4"	330
PH1230-16-G34	19 - 3/4"	46	48	19	158	98	G3/4"	330
PH1230-16-G1	19 - 3/4"	46	48	19	158	98	G1"	330
PH1230-20-G114	25 - 1"	55	55	25	180	144	G1 1/4"	300



PH1231 INNESTO RAPIDO MASCHIO
MALE QUICK COUPLING



Codice-Code	misura size	CH	ØD	ØF	L	L1	ØT	max Bar
PH1231-04-G14	6.3 - 1/4"	22	16.1	6.3	108	57	G1/4"	400
PH1231-06-G38	10 - 3/8"	24	19.7	10	122	68	G3/8"	350
PH1231-06-G12	10 - 3/8"	27	19.7	10	122	68	G1/2"	350
PH1231-08-G12	12.5 - 1/2"	32	24.5	12.5	136	70	G1/2"	350
PH1231-08-G34	12.5 - 1/2"	36	24.5	12.5	136	70	G3/4"	350
PH1231-12-G34	16 - 5/8"	36	27	16	142	70	G3/4"	330
PH1231-16-G34	19 - 3/4"	41	30	19	158	83	G3/4"	330
PH1231-16-G1	19 - 3/4"	36	30	19	158	83	G1"	330
PH1231-20-G114	25 - 1"	55	36	25	180	90	G1 1/4"	300

PH1240 INNESTI RAPIDI IDRAULICI ALTISSIMA PRESSIONE IN ACCIAIO INOX ULTRA HIGH PRESSURE STAINLESS STEEL QUICK COUPLING



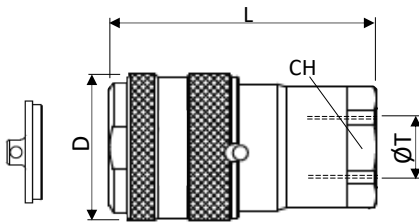
Intercambiabili con innesti rapidi di altri marchi rispondenti allo stesso Standard. Costruzione in acciaio Inox (ghiera colorata in alluminio anodizzato). Utilizzabili con acqua o olio.

Fully interchangeable with couplings of other Brands with the same Norm. Made with stainless steel (anodized aluminum). Useable with water and oil.

CARACTÉRISTIQUES DE FONCTIONNEMENT– TECHNICAL FEATURES

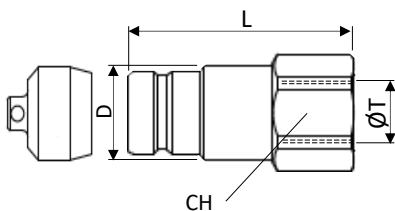
Temperatura massima d'esercizio:	+110°C	cpm O-Rings standard NBR.
		Opzione O-Rings FKM
Pressione massima d'esercizio:		Vedere le tabelle sotto.
Max working temperature:	+110°C	with NBR standard seals
		FKM O-Rings option.
Max. working pressure:		According to the below table

PH1240 INNESTO RAPIDO FEMMINA MALE QUICK COUPLING



Codice-Code	CH	ØD	ØF	L	ØT	max l/min	max Bar connesso connected	max Bar disconnesso disconnected	Cod tappo-plug
PH1240-07-G38-B	25	31.5	8	57.5	G3/8"	15	500	180	PH1240-07-P
PH1240-07-G38-R	25	31.5	8	57.5	G3/8"	15	500		PH1240-07-P
PH1240-08-G12-B	30	40	10	72	G1/2"	30	450		PH1240-08-P
PH1240-08-G12-R	30	40	10	72	G1/2"	30	450		PH1240-08-P
PH1240-11-G12-B	30	40	11	72	G1/2"	50	450		PH1240-08-P
PH1240-11-G12-R	30	40	11	72	G1/2"	50	450		PH1240-08-P
PH1240-12-G34-B	41	50	12	89	G3/4"	80	400		PH1240-12-P
PH1240-12-G34-R	41	50	12	89	G3/4"	80	400		PH1240-12-P

PH1241 COUPLEUR RAPIDE MÂLE MALE QUICK COUPLING



Codice-Code	CH	ØD	ØF	L	ØT	max l/min	max Bar connesso connected	max Bar disconnesso disconnected	Cod tappo-plug
PH1241-07-G38	22	21.5	8	49.3	G3/8"	15	500	180	PH1241-07-P
PH1241-08-G12	30	32.5	10	63	G1/2"	30	450		PH1241-08-P
PH1241-11-G12	30	32.5	11	63	G1/2"	50	450		PH1241-08-P
PH1241-12-G34	41	44.5	12	74	G3/4"	80	400		PH1241-12-P



PA1600

Innesti rapidi pneumatici in ottone nichelato standard Iso 14743, robusti ma compatti, utilizzabili con tubazioni in Poliammide, Polietilene e Poliuretano, per acqua (non potabile) per aria, aria compressa e vuoto.

Nickel-plated quick couplings with, Iso 14743 norm. Adapt for use with Polyamide, Polyurethane and Polyethylene hoses, for fluids as non drinkable water, air, compressed air and vacuum.

CARATTERISTICHE TECNICHE e DI FUNZIONAMENTO

CORPO: Ottone Nichelato UNI EN 12164 CW614N & UNI EN 12164 CW617N
COLLARE: POM
COLLETO: Ottone Nichelato UNI EN 12164 CW614N
GUARNIZIONE: NBR senza silicone
PINZA: Acciaio Inox AISI 301
DISTANZIALE: NBR
ANELLO DI TENUTA: Acciaio Inox AISI 316
Pressione max. di esercizio: 16 Bar
Range temperatura di esercizio: -20 / +80°C
Filetti Gas conici BSPT ISO 7; Gas cilindrici BSPP ISO 228; metrici ISO 262

TECHNICAL AND WORKING FEATURES

BODY: nickel plated brass UNI EN 12164 CW614N & UNI EN 12164 CW617N
COLLAR: POM
COLLET (sleeve): nickel plated brass UNI EN 12164 CW614N
Seals: NBR silicon free
LOCK CLAW: AISI 301 Stainless steel Back
O-RING: NBR
RETAINING RING for swivel systems: AISI 302 Stainless steel
Max. working pressure: 16 Bar
Working temperature range: -20 / +80°C
Threads: BSPT ISO 7; BSPP ISO 228; Metric ISO 262

INSERIMENTO DEL TUBO AL RACCORDO

Assicurarsi che il tubo sia sempre inserito completamente fino a battuta. Tagliare il tubo a 90°, inserirlo fino a battuta e tirarlo con accuratezza per accertare il corretto inserimento. Se ci sono danni o imperfezioni sulla superficie del tubo o se lo stesso risulta ovalizzato, si possono verificare perdite d'aria o una imprevista disconnessione.

Il diametro esterno del tubo in poliuretano si espande in base alla pressione applicata, in tal caso tagliare l'estremità del tubo precedentemente connesso per poterlo riutilizzare.

DISCONNESSIONE DEL TUBO DAL RACCORDO

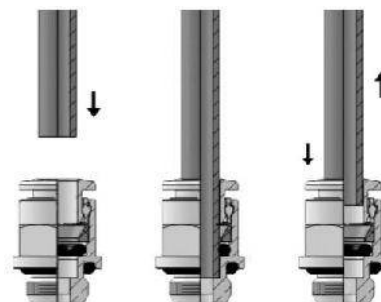
Accertarsi che il tubo non sia in pressione prima della disconnessione. Premere l'anello di sgancio, tirare ed estrarre il tubo contemporaneamente.

INSERTION OF THE TUBE INTO THE FITTING - Make sure the tube is fully inserted into the fitting. - To insert the tube into the fitting cut the tube at a squared angle (90°), insert up to the end and pull gently to make sure it is correctly connected. - If there are any damages or scratches on the tube surface or an oval shape, air leakage and tube release may occur. Check it carefully. The OD of polyurethane tubes expand when pressure is applied. Reinsertion into the fitting may not be possible. Check the OD of the tube and change the tube if the expansion is serious. - Always remove by cutting the part of the tube previously inserted into the fitting. Use a proper tube cutter in order to cut the tube.

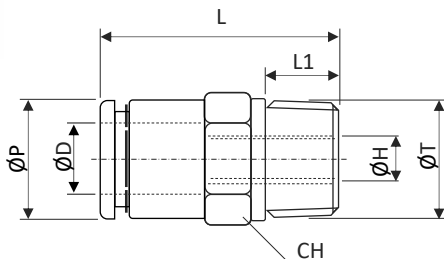
DISCONNECTION OF THE TUBE FROM THE FITTING

Make sure the pressure is zero before releasing the tube from the fitting. - To release the tube, press the release ring regularly at the end and pull the tube with one hand.

Ø TUBO TUBE	TOLLERANZA TOLERANCE	LUNGHEZZA INSERIMENTO TUBO - TUBE INSERTION LENGHT
6	± 0,1	15,5
8	± 0,1	17,5
10	± 0,15	19
12	± 0,15	21

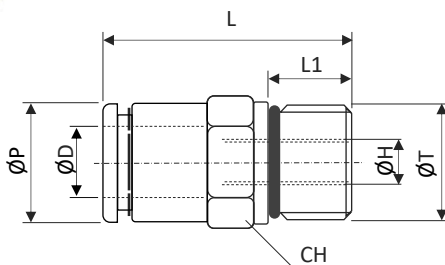


PA1601 RACCORDO DRITTO FILETTO MASCHIO BSPT ESAGONO INTERNO
STRAIGHT MALE PLUG BSPT THREAD INNER HEXAGON



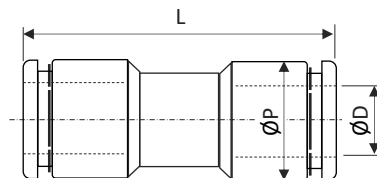
Codice - Code	CH	ØD	H	L	L1	ØP	ØT
PA1601-06-R18	12	6	4	22	5.5	11.7	R1/8"
PA1601-06-R14	14	6	4	21	7	11.7	R1/4"
PA1601-08-R18	14	8	5	25	5.5	13.7	R1/8"
PA1601-08-R14	14	8	6	24	7	13.7	R1/4"
PA1601-08-R38	19	8	6	23.5	8	13.7	R3/8"
PA1601-10-R14	17	10	7	28.5	7	15.4	R1/4"
PA1601-10-R38	19	10	8	25.5	8	15.4	R3/8"
PA1601-10-R12	22	10	8	25	9	16	R1/2"
PA1601-12-R14	19	12	7	29.5	7	18.3	R1/4"
PA1601-12-R38	19	12	9	28.5	8	18.3	R3/8"
PA1601-12-R12	22	12	10	25	9	18.3	R1/2"
PA1601-14-R38	22	14	9	30.5	8	20.5	R3/8"
PA1601-14-R12	22	14	12	26.5	9	20.5	R1/2"
PA1601-16-R12	24	16	-	32	9	23.5	R1/2"

PA1602 RACCORDO DRITTO FILETTO MASCHIO BSPP ESAGONO INTERNO OR NBR
STRAIGHT MALE PLUG BSPP THREAD INNER HEXAGON WITH NBR OR



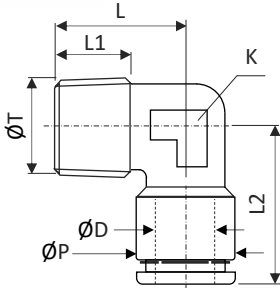
Codice - Code	CH	ØD	H	L	L1	ØP	ØT
PA1602-06-M5	12	6	2	22	4	11.7	M5
PA1602-06-G18	12	6	4	21	6	11.7	G1/8"
PA1602-06-G14	15	6	4	22	7	11.7	G1/4"
PA1602-08-G18	14	8	5	26	6	13.7	G1/8"
PA1602-08-G14	15	8	6	24.5	7	13.7	G1/4"
PA1602-08-G38	19	8	6	23	7	13.7	G3/8"
PA1602-10-G14	17	10	7	30	7	15.4	G1/4"
PA1602-10-G38	19	10	8	24.5	7	15.4	G3/8"
PA1602-10-G12	22	10	8	25	8	15.4	G1/2"
PA1602-12-G14	19	12	7	29.5	7	18.3	G1/4"
PA1602-12-G38	19	12	9	24	7	18.3	G3/8"
PA1602-12-G12	22	12	9	24.5	8	18.3	G1/2"
PA1602-14-G38	22	14	10	30.5	7	20.5	G3/8"
PA1602-14-G12	22	14	10	25.5	8	20.5	G1/2"
PA1602-16-G12	24	16	-	33.5	8	23.5	G1/2"

PA1607 NIPPO DI GIUNZIONE IN LINEA PER TUBO METRICO - UNION CONNECTOR METRIC TUBE



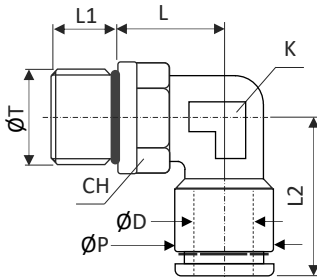
Codice - Code	CH	ØD	H	L	L1	ØP	ØT
PA1607-06-06	-	6	-	34	-	12	-
PA1607-08-08	-	8	-	37	-	14	-
PA1607-10-10	-	10	-	41.5	-	17	-
PA1607-12-12	-	12	-	39.5	-	19	-
PA1607-14-14	-	14	-	41.5	-	21	-

PA1616 RACCORDO A GOMITO FILETTO MASCHIO BSPT - MALE ELBOW PLUG BSPT THREAD



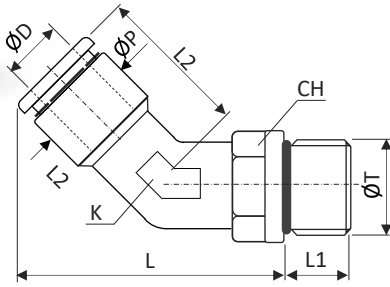
Codice - Code	CH	ØD	K	L	L1	L2	ØP	ØT
PA1616-06-R18	-	6	9	22	7.5	20	12.7	R1/8"
PA1616-06-R14	-	6	9	23	12	20	12.7	R1/4"
PA1616-08-R18	-	8	11	24	6.5	22.5	14.2	R1/8"
PA1616-08-R14	-	8	11	24	12.5	22.5	14.2	R1/4"
PA1616-08-R38	-	8	12	26	11.5	24.5	14.2	R3/8"
PA1616-10-R14	-	10	13	28	11.5	26	16.5	R1/4"
PA1616-10-R38	-	10	13	28	12	26	16.5	R3/8"
PA1616-12-R14	-	12	15	33	11	26.5	19.5	R1/4"
PA1616-12-R38	-	12	15	33	11.5	26.5	19.5	R3/8"

PA1604 RACCORDO A GOMITO GIREVOLE FILETTO MASCHIO BSPP
SWIVEL MALE ELBOW PLUG BSPP & METRIC



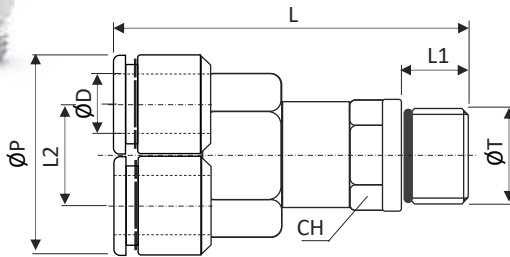
Codice - Code	CH	ØD	K	L	L1	L2	ØP	ØT
PA1604-06-M5	10	6	9	13	4	20	12.7	M5x0.8
PA1604-06-G18	12	6	9	15	6	20	12.7	G1/8"
PA1604-06-G14	15	6	9	16	7	20	12.7	G1/4"
PA1604-08-G18	12	8	11	16	6	22.5	14.2	G1/8"
PA1604-08-G14	15	8	11	17	7	22.5	14.2	G1/4"
PA1604-08-G38	19	8	11	19.5	7	22.5	14.2	G3/8"
PA1604-10-G14	15	10	13	19.5	7	26	16.5	G1/4"
PA1604-10-G38	19	10	13	20.5	7	26	16.5	G3/8"
PA1604-10-G12	22	10	13	20	8	26	16.5	G1/2"
PA1604-12-G14	17	12	15	20.5	7	26.5	19.5	G1/4"
PA1604-12-G38	19	12	15	21.5	7	26.5	19.5	G3/8"
PA1604-12-G12	22	12	15	21.5	8	26.5	19.5	G1/2"
PA1604-14-G38	19	14	17	21.5	7	28.5	21.5	G3/8"
PA1604-14-G12	22	14	17	22.5	8	28.5	21.5	G1/2"

PA1615 RACCORDO A 45° GIREVOLE FILETTO MASCHIO BSPP - 45° SWIVEL MALE PLUG BSPP



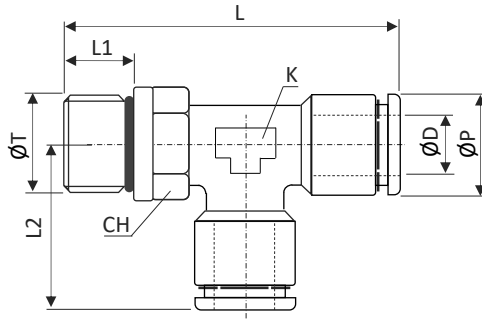
Codice - Code	CH	ØD	K	L	L1	L2	ØP	ØT
PA1615-06-G18	12	6	11	32.5	5.5	20.5	12.7	G1/8"
PA1615-06-G14	14	6	11	34.5	7	20.5	12.7	G1/4"
PA1615-08-G18	12	8	11	32.5	5.5	22.5	14.2	G1/8"
PA1615-08-G14	14	8	11	34.5	7	22.5	14.2	G1/4"
PA1615-08-G38	19	8	11	35	8	22.5	14.2	G3/8"
PA1615-10-G14	17	10	15	39.5	7	26.5	16.5	G1/4"
PA1615-10-G38	19	10	15	39.5	8	26.5	16.5	G3/8"
PA1615-10-G12	22	10	15	40	9	26.5	16.5	G1/2"
PA1615-12-G14	17	12	15	40.5	7	26.5	19.5	G1/4"
PA1615-12-G38	19	12	15	40.5	8	26.5	19.5	G3/8"
PA1615-12-G12	22	12	15	41	9	26.5	19.5	G1/2"

PA1617 RACCORDO AD Y GIREVOLE FILETTO MASCHIO BSPT - BSPT SWIVEL MALE PLUG Y



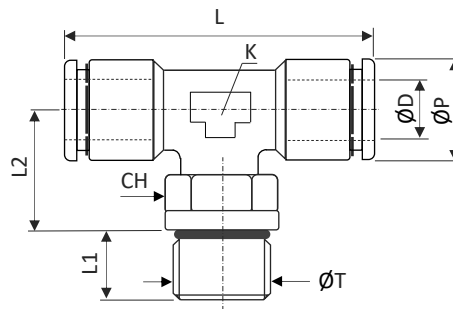
Codice - Code	CH	ØD	K	L	L1	L2	ØP	ØT
PA1617-06-M5	12	6	-	38	5.5	9	18	M5x0.8
PA1617-06-R18	12	6	-	41.5	5.5	12.5	24.5	R1/8"
PA1617-08-R18	14	8	-	48.5	5.5	14.5	28.5	R1/8"
PA1617-08-R14	14	8	-	50	7	14.5	28.5	R1/4"

PA1614 RACCORDO A "T" CON UN LATO GIREVOLE FILETTO MASCHIO BSPP
ONE SIDE SWIVEL MALE TEE PLUG BSPP & METRIC THREAD



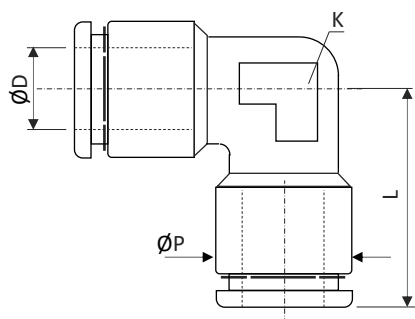
Codice - Code	ØD	CH	K	L	L1	L2	ØP	ØT
PA1614-06-G18	6	12	9	41	6	20	12.7	G1/8"
PA1614-06-G14	6	15	9	43	7	20	12.7	G1/4"
PA1614-08-G18	8	12	11	44.5	6	22.5	14.2	G1/8"
PA1614-08-G14	8	15	11	46.5	7	22.5	14.2	G1/4"
PA1614-08-G38	8	19	11	46.5	7	22.5	14.2	G3/8"
PA1614-10-G14	10	15	13	52.5	7	26	16.5	G1/4"
PA1614-10-G38	10	19	13	52.5	7	26	16.5	G3/8"
PA1614-12-G14	12	17	15	53.5	7	26.5	16.5	G1/4"
PA1614-12-G38	12	19	15	54	7	26.5	19.5	G3/8"

PA1606 RACCORDO A "T" CON BASE GIREVOLE FILETTO MASCHIO BSPP CON O-RING
TEE PLUG BASE SWIVEL MALE BSPP & METRIC THREAD WITH O-RING



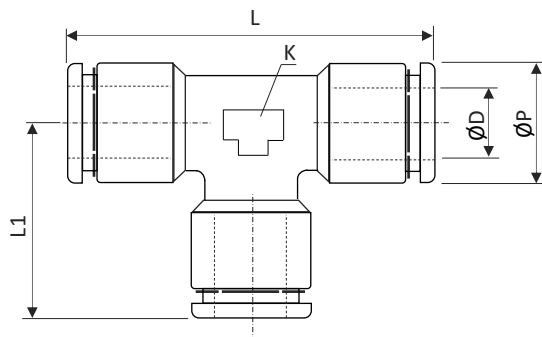
Codice - Code	ØD	CH	K	L	L1	L2	ØP	ØT
PA1606-06-G18	6	12	9	40	6	15	12.7	G1/8"
PA1606-06-G14	6	15	9	40	7	16	12.7	G1/4"
PA1606-08-G18	8	12	11	45	6	16	14.2	G1/8"
PA1606-08-G14	8	15	11	45	7	17	14.2	G1/4"
PA1606-08-G38	8	19	11	45	7	17	14.2	G3/8"
PA1606-10-G14	10	15	13	52	7	19.5	16.5	G1/4"
PA1606-10-G38	10	19	13	52	7	19.5	16.5	G3/8"
PA1606-12-G14	12	17	15	53	7	20	16.5	G1/4"
PA1606-12-G38	12	19	15	53	7	20.5	19.5	G3/8"

PA1608 NIPPLO DI GIUNZIONE A GOMITO - UNION ELBOW METRIC TUBE



Codice - Code	$\varnothing D$	K	L	L1	$\varnothing P$
PA1608-06-06	6	9	20	-	12.7
PA1608-08-08	8	11	22.5	-	14.2
PA1608-10-10	10	13	26	-	16.5
PA1608-12-12	12	15	26.5	-	19.5
PA1608-14-14	12	17	28.5	-	21.5

PA1609 NIPPLO DI GIUNZIONE A "T" - UNION TEE METRIC TUBE



Codice - Code	$\varnothing D$	K	L	L1	$\varnothing P$
PA1609-06-06	6	9	40	20	12.7
PA1609-08-08	8	11	45	22.5	14.2
PA1609-10-10	10	13	52	26	16.5
PA1609-12-12	12	15	53	26.5	19.5
PA1609-14-14	12	17	57	28.5	21.5



PA1300

Innesti rapidi calzamento in ottone nichelato, particolarmente robusti nel sistema di fissaggio del tubo, utilizzabili con tubazioni in Poliammide, Polietilene, PTFE e FEP e Poliuretano, per aria compressa, acqua e liquidi compatibili con l'ottone.

Nickel-plated push-in quick couplings with high resistance hose locking system, adapt for use with Polyamide, Polyurethane, PTFE, FEP and Polyethylene hoses, for fluids as air, compressed air and vacuum.

CARATTERISTICHE TECNICHE DI FUNZIONAMENTO

Corpo: ottone nichelato UNI EN 12164 CW 614N UNI EN 12165 CW 617N
Guarnizioni: NBR
Pressione max. di esercizio: 18 Bar
Range di temperatura di esercizio: -20 / +100°C
Filetti Gas conici BSPT ISO 7; Gas cilindrici BSPP ISO 228; metrici ISO 262

TECHNICAL AND WORKING FEATURES

Body: Nickel plated brass UNI EN 12164 CW 614N AND UNI EN12165 CW 617N
Seals: NBR
Max. working pressure: 18 Bar
Working temperature range: -20 / +100°C
Threads: BSPT ISO 7; BSPP ISO 228; Metric ISO 262

INSERIMENTO DEL TUBO AL RACCORDO

Assicurarsi che il tubo sia sempre inserito completamente fino a battuta. Tagliare il tubo a 90°, inserirlo fino a battuta e tirarlo con accuratezza per accertare il corretto inserimento. Se ci sono danni o imperfezioni sulla superficie del tubo o se lo stesso risulta ovalizzato, si possono verificare perdite d'aria o una imprevista disconnessione.

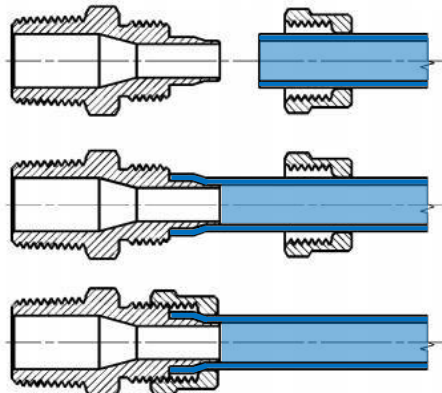
Il diametro esterno del tubo in poliuretano si espande in base alla pressione applicata, in tal caso tagliare l'estremità del tubo precedentemente connesso per poterlo riutilizzare.

DISCONNESSIONE DEL TUBO DAL RACCORDO

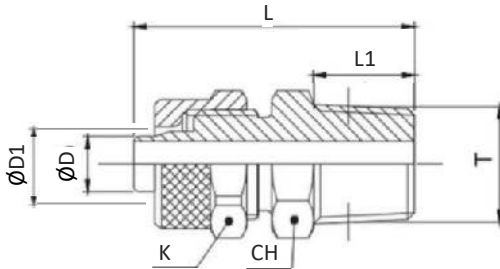
Accertarsi che il tubo non sia in pressione prima della disconnessione. Premere l'anello di sgancio, tirare ed estrarre il tubo contemporaneamente.

INSERTION OF THE TUBE INTO THE FITTING - Make sure the tube is fully inserted into the fitting. - To insert the tube into the fitting cut the tube at a squared angle (90°), insert up to the end and pull gently to make sure it is correctly connected. - If there are any damages or scratches on the tube surface or an oval shape, fluid leakage and tube release may occur. Check it carefully. The OD of polyurethane tubes expand when pressure is applied. Reinsertion into the fitting may not be possible. Check the OD of the tube and change the tube if the expansion is serious. - Always remove by cutting the part of the tube previously inserted into the fitting. Use a proper tube cutter in order to cut the tube. DISCONNECTION OF THE TUBE FROM THE FITTING - Make sure the pressure is zero before releasing the tube from the fitting. - To release the tube, press the release ring regularly at the end and pull the tube with one hand.

Ø TUBO	TOLLERANZA	LUNGHEZZA INSERIMENTO TUBO
Ø TUBE	TOLERANCE	TUBE INSERTION LENGHT
6	± 0,1	15,5
8	± 0,1	17,5
10	± 0,15	19
12	± 0,15	21

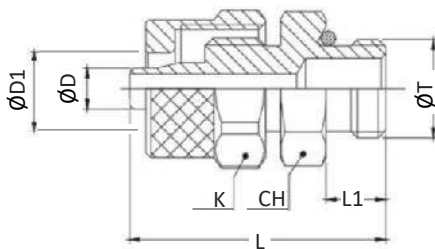


PA1301 RACCORDO FILETTO MASCHIO BSPT - MALE CONNECTOR BSPT



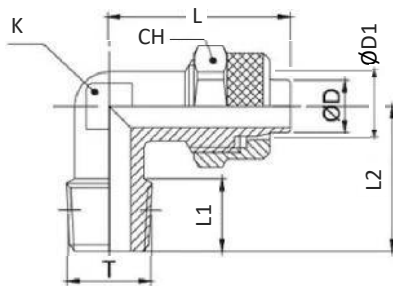
Codice - Code	ØD	ØD1	CH	K	L1	L	ØT
PA1301-0406-R18	4	6	12	12	8	27.5	R1/8"
PA1301-0406-R14	4	6	14	12	11	31	R1/4"
PA1301-0406-R38	4	6	17	12	11.5	31.5	R3/8"
PA1301-0608-R18	6	8	12	14	8	27.5	R1/8"
PA1301-0608-R14	6	8	14	14	11	31	R1/4"
PA1301-0608-R38	6	8	17	14	11.5	31.5	R3/8"
PA1301-0810-R18	8	10	14	16	8	29.5	R1/8"
PA1301-0810-R14	8	10	14	16	11	32.5	R1/4"
PA1301-0810-R38	8	10	17	16	11.5	33	R3/8"
PA1301-0810-R12	8	10	22	16	14	36	R1/2"
PA1301-1012-R38	10	12	17	18	11.5	34.5	R3/8"
PA1301-1012-R12	10	12	22	18	14	37.5	R1/2"
PA1301-1215-R12	10	15	22	22	14	39.5	R1/2"

PA1302 RACCORDO FILETTO MASCHIO BSPP CON O-RING
 MALE CONNECTOR BSPP THREAD WITH O-RING



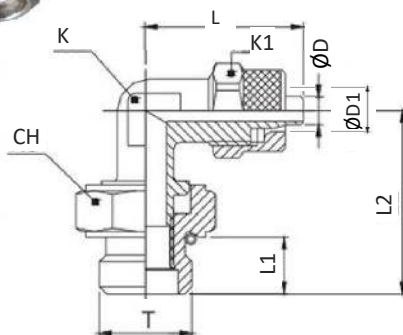
Codice - Code	ØD	ØD1	CH	K	K1	L1	L	L2	ØT
PA1302-0406-G18	4	6	13	12	-	6	25.5	-	G1/8"
PA1302-0406-G14	4	6	16	12	-	8	28	-	G1/4"
PA1302-0406-G38	4	6	19	12	-	9	29	-	G3/8"
PA1302-0608-G18	6	8	14	14	-	6	25.5	-	G1/8"
PA1302-0608-G14	6	8	16	14	-	8	28	-	G1/4"
PA1302-0608-G38	6	8	19	14	-	9	29	-	G3/8"
PA1302-0810-G18	8	10	14	16	-	6	27.5	-	G1/8"
PA1302-0810-G14	8	10	16	16	-	8	29.5	-	G1/4"
PA1302-0810-G38	8	10	19	16	-	9	30.5	-	G3/8"
PA1302-0810-G12	8	10	24	16	-	10	32	-	G1/2"
PA1302-1012-G38	10	10	19	18	-	9	32	-	G3/8"
PA1302-1012-G12	10	10	24	18	-	10	33.5	-	G1/2"
PA1302-1215-G12	10	15	24	22	-	10	35.5	-	G1/2"

PA1303 RACCORDO FILETTO MASCHIO BSPT 90°
MALE CONNECTOR BSPT 90°



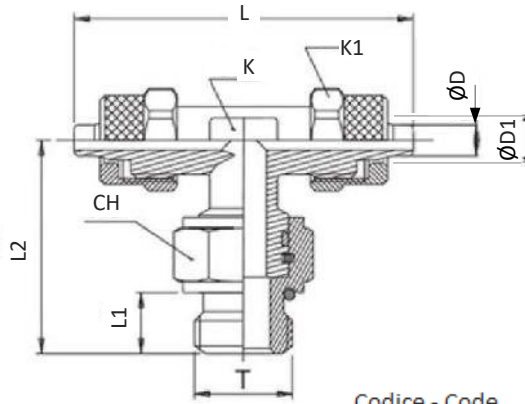
Codice - Code	CH	ØD	ØD1	K	K1	L	L1	L2	ØT
PA1303-0406-R18	12	4	6	8	-	22.5	8	17	R1/8"
PA1303-0406-R14	12	4	6	10	-	22.5	11	20	R1/4"
PA1303-0406-R38	12	4	6	11	-	23.5	11.5	22.5	R3/8"
PA1303-0608-R18	14	6	8	10	-	22.5	8	17	R1/8"
PA1303-0608-R14	14	6	8	10	-	22.5	11	20	R1/4"
PA1303-0608-R38	14	6	8	11	-	24	11.5	22.5	R3/8"
PA1303-0608-R12	14	6	8	17	-	28	14	26.5	R1/2"
PA1303-0810-R18	16	8	10	11	-	25.5	8	18.5	R1/8"
PA1303-0810-R14	16	8	10	11	-	25.5	11	21.5	R1/4"
PA1303-0810-R38	16	8	10	11	-	25.5	11.5	22.5	R3/8"
PA1303-0810-R12	16	8	10	17	-	28	14	28	R1/2"
PA1303-1012-R14	18	10	12	14	-	30	11	24	R1/4"
PA1303-1012-R38	18	10	12	14	-	30	11.5	24.5	R3/8"
PA1303-1012-R12	18	10	12	17	-	30.5	14	28	R1/2"
PA1303-1215-R12	22	12.5	15	17	-	34	14	28	R1/2"

PA1304 RACCORDO FILETTO MASCHIO BSPP 90° CON O-RING
MALE CONNECTOR BSPP THREAD 90° WITH O-RING



Codice - Code	CH	ØD	ØD1	K	K1	L	L1	L2	ØT
PA1304-0406-G18	14	6	8	10	14	23.5	6	22.5	G1/8"
PA1304-0406-G14	17	4	6	10	12	23.5	8	25	G1/4"
PA1304-0608-G14	17	6	8	10	14	23.5	8	25	G1/4"
PA1304-0810-G14	17	8	10	11	16	23.5	8	25.5	G1/4"

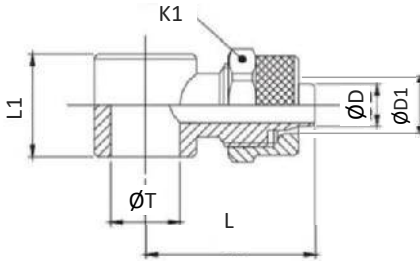
PA1306 RACCORDO A "T" GIREVOLE FILETTO MASCHIO BSPP E O-RING
 SWIVEL MALE TEE BSPP THREAD AND O-RING



Codice - Code | ØD | ØD1 | CH | K | K1 | L1 | L | L2 | ØT

PA1306-0305-G18	4	6	8	12	13	6	45	25.7	G1/8"
PA1306-0406-G18	6	8	10	14	13	6	45.5	26	G1/8"
PA1306-0406-G14	4	6	10	12	17	8	45.5	29	G1/4"
PA1306-0608-G14	6	8	10	14	17	8	45.5	28	G1/4"
PA1306-0810-G14	8	10	11	16	17	8	51	29	G1/4"

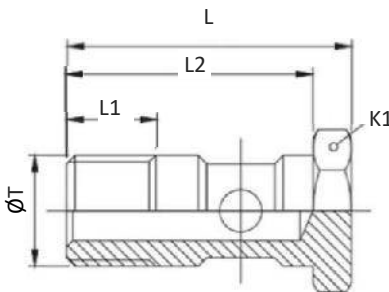
PA1315 RACCORDO AD OCCHIELLO SINGOLO - SINGLE BANJO CONNECTOR



Codice - Code | CH | ØD | ØD1 | L | L1 | ØT

PA1315-0406-M5	9	4	6	9	18	M5
PA1315-0406-G18	12	4	6	14.5	24	G1/8"
PA1315-0406-G14	12	4	6	14.5	26	G1/4"
PA1315-0608-G18	14	6	8	14.5	24	G1/8"
PA1315-0608-G14	14	6	8	14.5	26	G1/4"
PA1315-0810-G18	16	8	10	14.5	27.5	G1/8"
PA1315-0810-G14	16	8	10	14.5	27.5	G1/4"

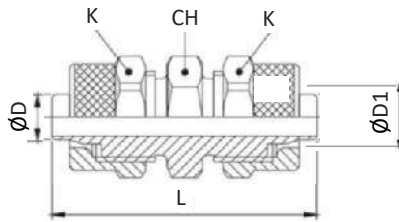
PA1316 ASTA SINGOLA PER RACCORDO AD OCCHIELLO FIL. MASCHIO BSPP
 STEM FOR SINGLE BANJO CONNECTOR



Codice - Code | CH | ØD | L | L1 | L2 | ØT

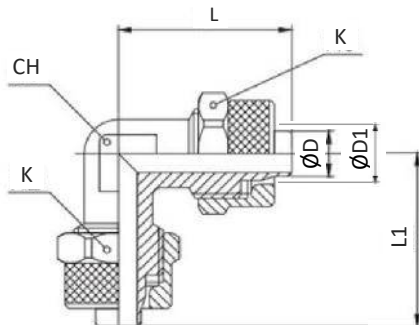
PA1316-M5	8	14	18	6	14.5	M5
PA1316-M6	8	22	18	6	14.5	M6
PA1316-G18	14	17	27	8	23	G1/8"
PA1316-G14	17	26	29.5	11	25	G1/4"

PA1307 NIPPLO DI GIUNZIONE IN LINEA - UNION CONNECTOR METRIC TUBE



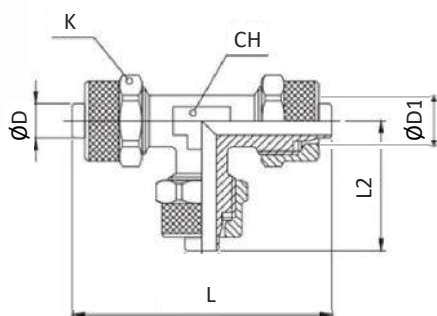
Codice - Code	CH	ØD	ØD1	K	L	L1
PA1307-0406	12	4	6	12	34.5	-
PA1307-0608	14	6	8	14	35	-
PA1307-0810	14	8	10	16	38	-
PA1307-1012	17	10	12	18	41	-
PA1307-1215	22	12.5	15	22	45.5	-

PA1308 NIPPLO DI GIUNZIONE A GOMITO - UNION ELBOW METRIC TUBE



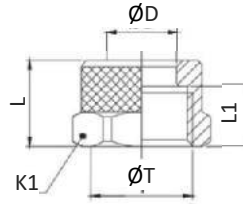
Codice - Code	CH	ØD	ØD1	K	L	L1
PA1308-0406	8	4	6	12	21.5	21.5
PA1308-0608	10	6	8	14	22.5	22.5
PA1308-0810	11	8	10	16	25.5	25.5
PA1308-1012	14	10	12	18	30	30
PA1308-1215	17	12.5	15	22	34	34

PA1309 NIPPLO DI GIUNZIONE A "T" - UNION TEE METRIC TUBE



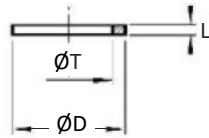
Codice - Code	CH	$\varnothing D$	$\varnothing D1$	K	L	L1
PA1309-0406	8	4	6	12	45	22.5
PA1309-0608	10	6	8	14	45	22.5
PA1309-0810	11	8	10	16	51	25.5
PA1309-1012	14	10	12	18	60	30
PA1309-1215	17	12.5	15	22	68	34

PA1314 GHIERA PRESSA-TUBO - NICKEL PLATED LOCKING NUT



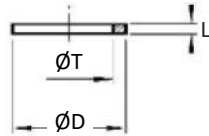
Codice - Code	ØD	L	ØT
PA1314-0406-M8	6	9	M8x0,75
PA1314-0406-M10	6	10,5	M10x1
PA1314-0608-M12	8	10,5	M12x1
PA1314-0810-M14	10	11,5	M14x1
PA1314-1012-M16	12	13	M16x1
PA1314-1215-M20	15	15,5	M20x1

PA1317 RONDELLA BONDED - BONDED WASHER



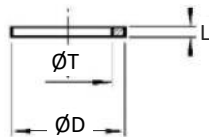
Codice - Code	ØD	L	ØT
PA1317-14-018	14	1	1/8"
PA1317-17-014	17	1	1/4"
PA1317-22-038	22	1.3	3/8"
PA1317-26-012	26	1.6	1/2"

PA1318 RONDELLA IN NYLON - NYLON WASHER



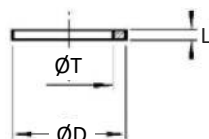
Codice - Code	ØD	L	ØT
PA1318-08-M5	8.5	1.5	5
PA1318-14-G18	14	1.5	9.8
PA1318-18-G14	18	1.5	13.2
PA1318-21-G38	21	1.5	16.7
PA1318-26-G12	26	2	21.1

PA1319 RONDELLA IN ALLUMINIO - ALUMINIUM WASHER



Codice - Code	ØD	L	ØT
PA1319-14-G18	14	1.5	10
PA1319-17-G14	17	1.5	13.3
PA1319-21-G38	21	1.5	16.9
PA1319-26-G12	26	1.5	21.1

PA1320 RONDELLA IN PVC - PVC WASHER



Codice - Code	ØD	L	ØT
PA1320-14-G18	14	1.5	10
PA1320-17-G14	17	1.5	13.5
PA1320-21-G38	21	1.5	16.7
PA1320-26-G12	26	1.5	21.3

PM1600

Piastre multi-connessone compatte per aria ed acqua fino a 70°C, 15 Bar, con connessioni rapide push-in di tipo pneumatico (tubo non incluso). Versione per 8+8 circuiti di mandata e ritorno e versione da 16+16.

Compact multi-coupling plates for air and water up to 70°C, 15 Bar, built with standard pneumatic push-in fittings (hose not included). Version for 8+8 circuits and 16+16 circuits.



Foto della versione 4+4 fuori standard – Picture of 4+4 special version

CARATTERISTICHE COSTRUTTIVE:

2, 3, 4: Presa mobile e base portainnesti e leva di bloccaggio in tecnopolimero

1: Guidatubo in PA6

5: Coperchio antipolvere in PP

6, 7: Innesti rapidi in ottone nichelato con O-Ring NBR

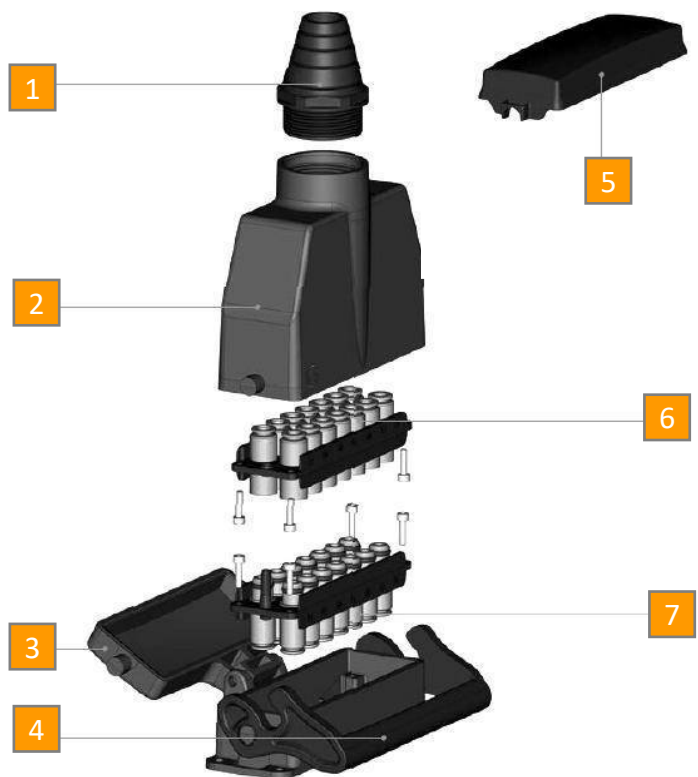
CONSTRUCTION FEATURES:

2, 3, 4: Technopolymer components

1: Cable guide PA6

5: Dust cap PP

6, 7: Nickel plated plugs with NBR O-Ring



Tubi raccomandati - Recommended hoses: PA11, PA12, PA6, PE, PU (98 shore A)

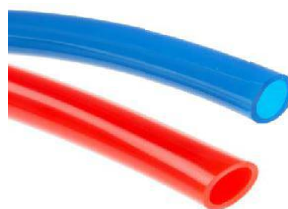
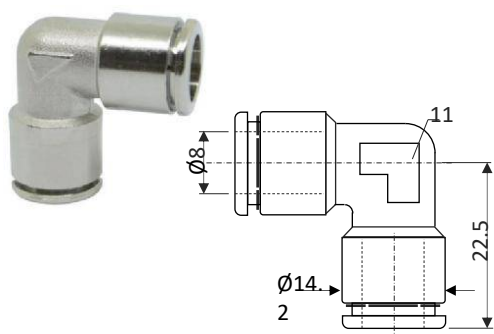
PA1608-08-08

RACCORDO INFERIORE A GOMITO PER PIASTRA STAMPO
ELBOW QUICK PLUG FOR MOULD PLATE

TUBO RACCOMANDATO IN PU 60°C
60°C PU RECOMMENDED HOSE

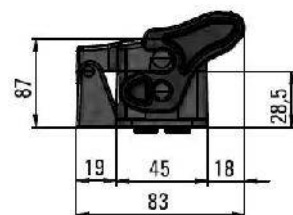
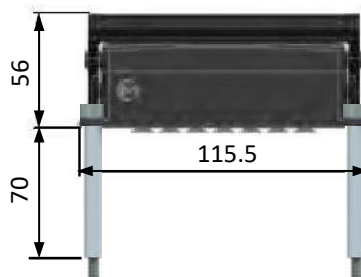
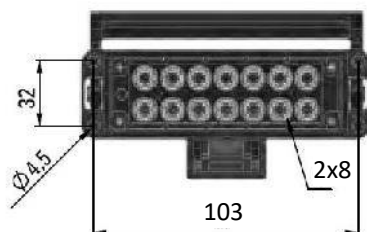
PA4200-08-B-050

PA4200-08-R-050



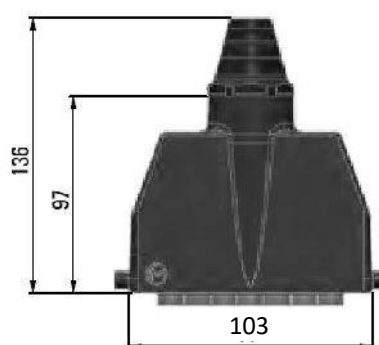
PM1600-08-08-SB

Piastra fissa stampo con 8+8 innesti
Mould plate with 8+8

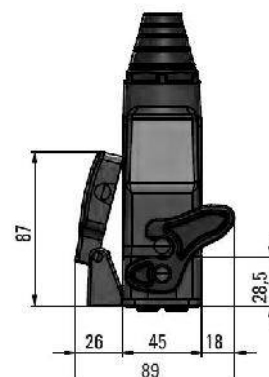
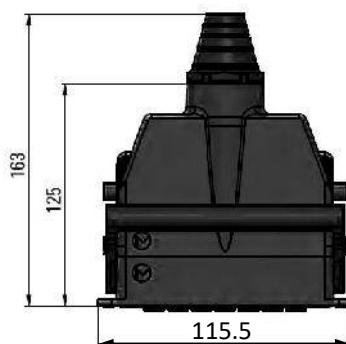


PM1600-08-08-MB

Piastra mobile pressa con 8+8 innesti
Machine plate with 8+8 plugs



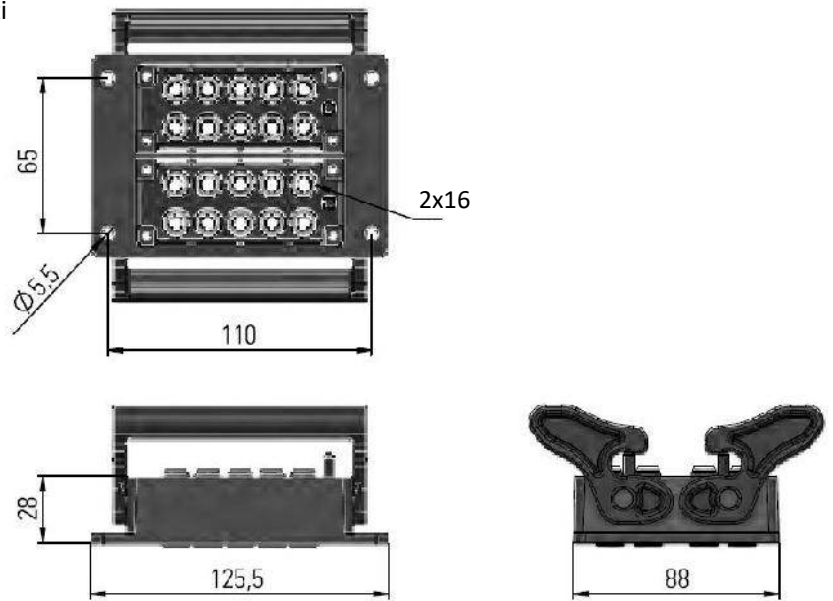
Misure d'ingombro
compressive piastre
connesse
Overall dimensions of
connected plates



Immagini della versione 7+7 fuori standard – Pictures of 7+7 special version

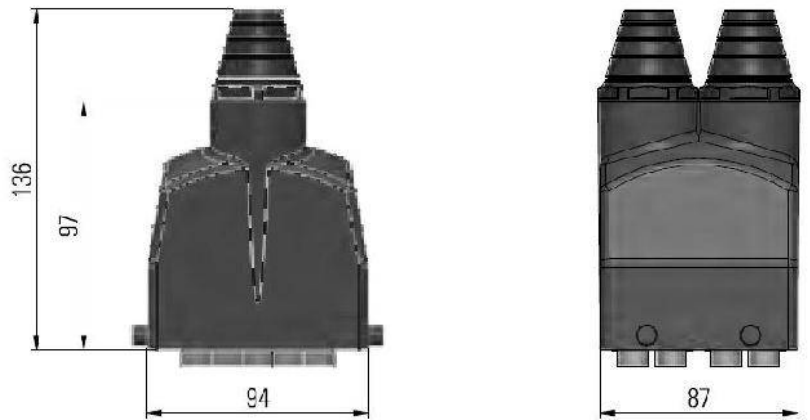
PM1600-16-16-SB

Piastra fissa stampo con 16+16 innesti
Mould plate with 16+16 plugs

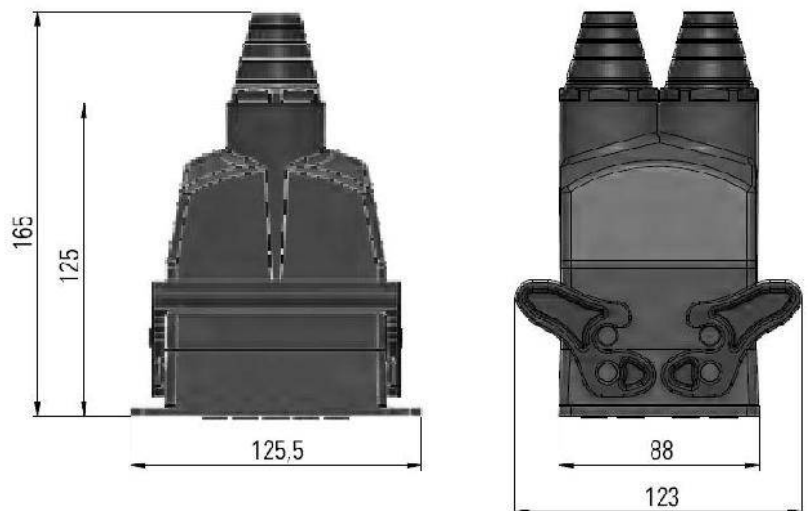


PM1600-16-16-MB

Piastra mobile pressa con 16+16 innesti
Machine plate with 16+16 plugs



Misure d'ingombro
complesive piastre
connesse
Overall dimensions of
connected plates



PM1306

PIASTRE CON PASSAGGIO Ø6 – 3+3 POSIZIONI
PLATES WITH FLOW PASSAGE Ø6 3+3 GATES

PIASTRA LATO PRESSA – INJECTION MACHINE PLATE



Ø6 - 3+3



PM1306-06-08-MT

PIASTRA CON 6 PORTAGOMMA PER TUBO Ø8
PLATE WITH 6 HOSE TAIL PLUG Ø8

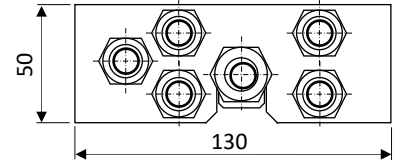
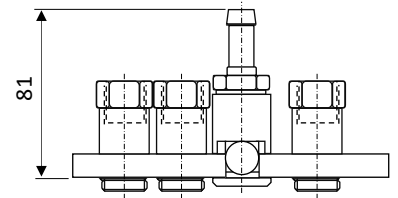
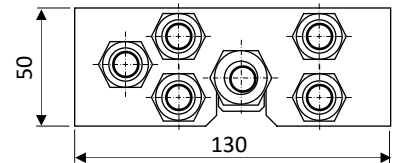
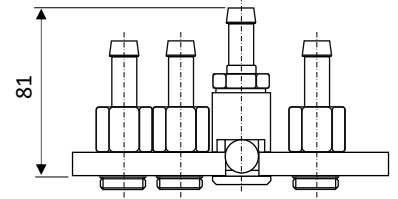
PM1306-06-10-MT

PIASTRA CON 6 PORTAGOMMA PER TUBO Ø10
PLATE WITH 6 HOSE TAIL PLUG Ø10



PM1306-06-G014-MF

PIASTRA CON 6 RACCORDI FILETTO FEMMINA G1/4"
PLATE WITH 6 FEMALE PLUGS G1/4"



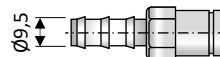
PM1306-06-00-MB

PIASTRA BASE, SENZA RACCORDI – BASE PLATE WITHOUT PLUGS

COMPONENTI SINGOLI – SINGLE COMPONENTS

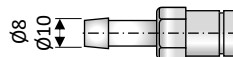
PCM1301-06-10

RACCORDO EASYLOCK PER TUBO Ø9,5 mm. CON VALVOLA
EASYLOCK PLUG HOSE Ø9,5 mm. WITH VALVE



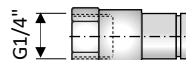
PCM1303-06-08

RACCORDO PORTAGOMMA TUBO Ø8 mm. CON VALVOLA
HOSE TAIL PLUG Ø8 mm. WITH VALVE



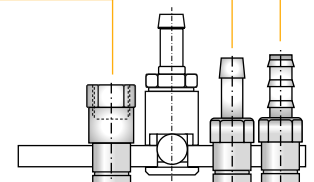
PCM1303-06-10

RACCORDO PORTAGOMMA TUBO Ø10 mm. CON VALVOLA
HOSE TAIL PLUG HOSE Ø10 mm. WITH VALVE



PCM1349-06-G014

RACCORDO DRITTO FIL. FEMMINA 1/4" BSPP CON VALVOLA
FEMALE THREADED PLUG 1/4" BSPP WITH VALVE

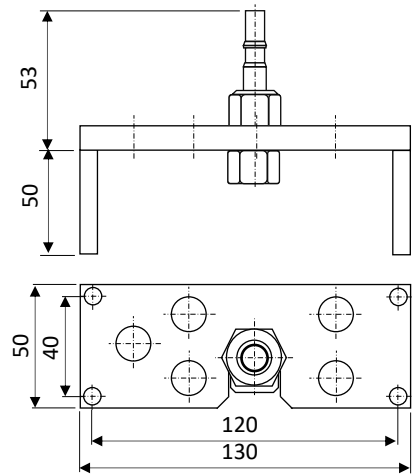


PIASTRA PARTE STAMPO – MOULD SIDE PLATE



PM1306-06-00-SB

PIASTRA BASE CON PIEDINI E INNESTO PIASTRA
BASE PLATE WITH SPACERS AND PLATE PLUG

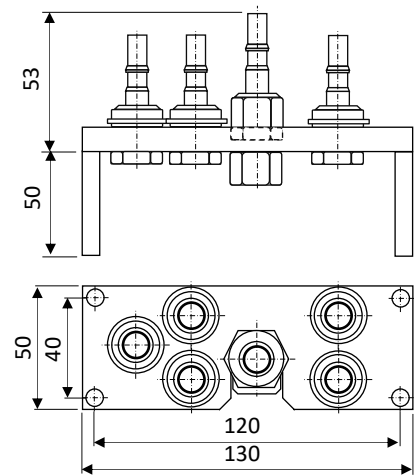


PM1306-06-06-SBXV

PIASTRA CON INNESTI RAPIDI SENZA VALVOLA
PLATE WITH QUICK COUPLINGS WITHOUT VALVE

PM1306-06-06-SBYV

PIASTRA CON INNESTI RAPIDI CON VALVOLA
PLATE WITH QUICK COUPLINGS WITH VALVE



COMPONENTI SINGOLI – SINGLE COMPONENTS

PCM1319-06-G014-BYV

INNESTO RAPIDO CON VALVOLA DI COLLEGAMENTO ALLA PARTE MOBILE – QUICK
COUPLING WITH VALVE FOR CONNECTING TO THE MOBILE PLATE

PCM1319-06-G014-BXV

INNESTO RAPIDO SENZA VALVOLA DI COLLEGAMENTO ALLA PARTE MOBILE –
QUICK COUPLING WITHOUT VALVE FOR CONNECTING TO THE MOBILE PLATE

PC2247-10-G014

RACCORDO EASYLOCK 90° PER TUBO Ø9,5 mm - 90° EASYLOCK PLUG HOSE Ø9,5 mm.

PC2248-08-G014

RACCORDO PORTAGOMMA 90° TUBO Ø8 mm. - 90° HOSE TAIL PLUG Ø8 mm.

PC2248-10-G014

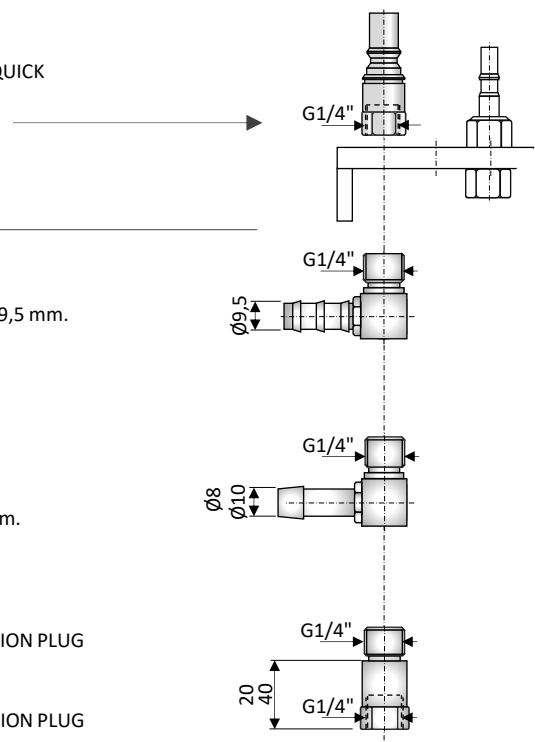
RACCORDO PORTAGOMMA 90° TUBO Ø10 mm. - 90° HOSE TAIL PLUG Ø10 mm.

PC2249-G014-L020

RACCORDO DRITTO FIL. FEMMINA G1/4" - G1/4" FEMALE THREADED EXTENSION PLUG

PC2249-G014-L040

RACCORDO DRITTO FIL. FEMMINA G1/4" - G1/4" FEMALE THREADED EXTENSION PLUG



PM1309

PIASTRA CON PASSAGGIO Ø9 – 3+3 POSIZIONI
PLATE WITH FLOW PASSAGE Ø9 3+3 GATES

PIASTRA LATO PRESSA – INJECTION MACHINE PLATE



Ø9 - 3+3



PM1309-06-10-MP

PIASTRA 6 INNESTI EASYLOCK CON VALVOLA TUBO Ø9,5 - PLATE WITH 6 EASYLOCK PLUG Ø9,5 WITH VALVE

PM1309-06-13-MP

PIASTRA 6 INNESTI EASYLOCK CON VALVOLA PER TUBO Ø12,7 – PLATE WITH 6 EASYLOCK PLUG Ø12,7 WITH VALVE

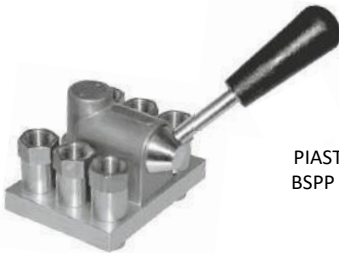


PM1309-06-10-MT

PIASTRA 6 INNESTI CON PORTAGOMMA E VALVOLA PER TUBO Ø10 – PLATE WITH 6 HOSE TAIL PLUG Ø10 WITH VALVE

PM1309-06-12-MT

PIASTRA 6 INNESTI PORTAGOMMA CON VALVOLA PER TUBO Ø12 – PLATE WITH 6 HOSE TAIL PLUG Ø12 WITH VALVE

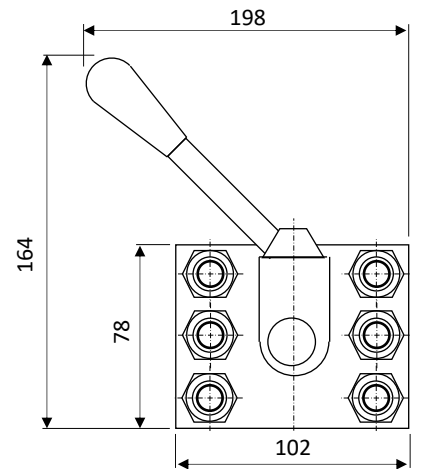
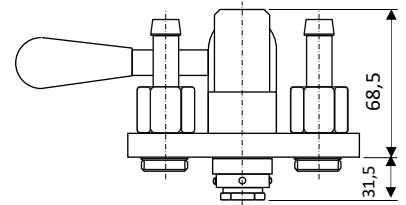


PM1309-06-G038-MF

PIASTRA 6 INNESTI CON FILETTO FEMMINA 3/8" BSPP CON VALVOLA - PLATE WITH 6 X 3/8" BSPP FEMALE TRHEADED PLUG WITH VALVE

PM1309-06-00-MB

PIASTRA BASE, SENZA RACCORDI – BASE PLATE WITHOUT PLUGS



COMPONENTI SINGOLI – SINGLE COMPONENTS

PCM1301-09-10

RACCORDO EASYLOCK PER TUBO Ø9,5 mm. CON VALVOLA
EASYLOCK PLUG HOSE Ø9,5 mm. WITH VALVE

PCM1301-09-13

RACCORDO EASYLOCK PER TUBO Ø9,5 mm. CON VALVOLA
EASYLOCK PLUG HOSE Ø9,5 mm. WITH VALVE

PCM1303-09-10

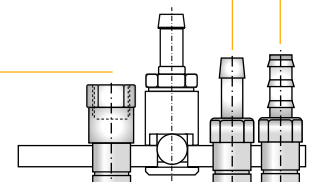
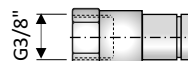
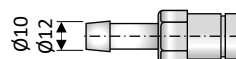
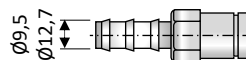
RACCORDO PORTAGOMMA TUBO Ø10 mm.
HOSE TAIL PLUG Ø10 mm. WITH VALVE

PCM1303-09-12

RACCORDO PORTAGOMMA TUBO Ø12 mm.
HOSE TAIL PLUG HOSE Ø12 mm. WITH VALVE

PCM1349-09-G038

RACCORDO DRITTO FIL. FEMMINA 3/8" BSPP
FEMALE THREADED PLUG 3/8" BSPP WITH VALVE

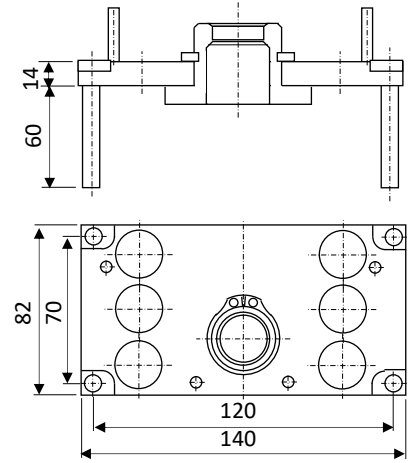


COMPONENTI PARTE STAMPO – MOULD SIDE COMPONENTS



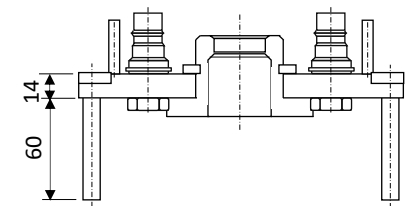
PM1309-06-00-SB

PIASTRA BASE CON PIEDINI E INNESTO PIASTRA
BASE PLATE WITH SPACERS AND PLATE PLUG



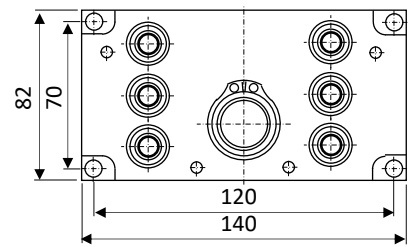
PM1309-06-06-SBXV

PIASTRA CON INNESTI RAPIDI SENZA VALVOLA
PLATE WITH QUICK COUPLINGS WITHOUT VALVE



PM1309-06-06-SBYV

PIASTRA CON INNESTI RAPIDI CON VALVOLA
PLATE WITH QUICK COUPLINGS WITH VALVE



COMPONENTI SINGOLI – SINGLE COMPONENTS

PCM1319-09-G038-BYV

INNESTO RAPIDO DI COLLEGAMENTO ALLA PARTE MOBILE CON VALVOLA
QUICK COUPLING WITH VALVE FOR CONNECTING TO THE MOBILE PLATE

PCM1319-09-G038-BXV

INNESTO RAPIDO DI COLLEGAMENTO ALLA PARTE MOBILE SENZA VALVOLA
QUICK COUPLING WITHOUT VALVE FOR CONNECTING TO THE MOBILE PLATE

PC2247-10-G038

RACCORDO EASYLOCK 90° PER TUBO Ø9,5 mm - 90° EASYLOCK PLUG HOSE Ø9,5 mm.

PC2247-13-G038

RACCORDO EASYLOCK 90° PER TUBO Ø12,7 mm. - 90° EASYLOCK PLUG HOSE Ø12,7 mm.

PC2248-10-G038

RACCORDO PORTAGOMMA 90° TUBO Ø10 mm. - 90° HOSE TAIL PLUG Ø10 mm.

PC2248-12-G038

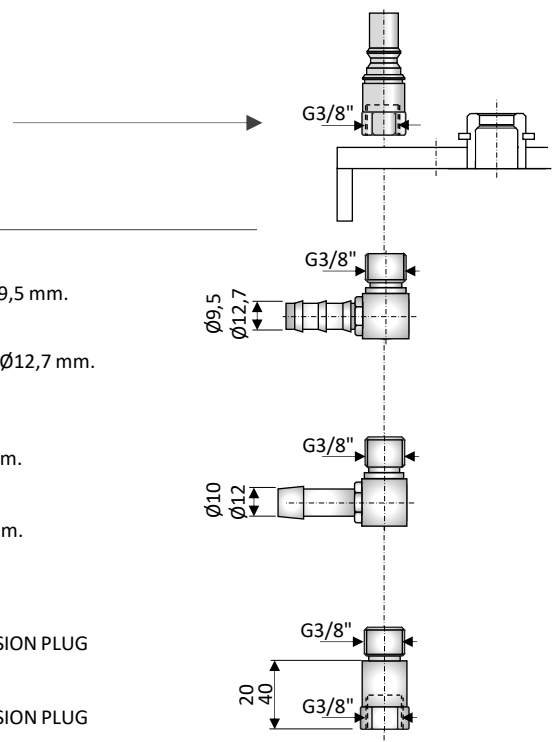
RACCORDO PORTAGOMMA 90° TUBO Ø12 mm. - 90° HOSE TAIL PLUG Ø12 mm.

PC2249-G038-L020

RACCORDO DRITTO FIL. FEMMINA G3/8" – G3/8" FEMALE THREADED EXTENSION PLUG

PC2249-G038-L040

RACCORDO DRITTO FIL. FEMMINA G3/8" – G3/8" FEMALE THREADED EXTENSION PLUG



PM1309

PIASTRA CON PASSAGGIO Ø9 – 5+5 POSIZIONI
PLATE WITH FLOW PASSAGE Ø9 5+5 GATES

PIASTRA LATO PRESSA – INJECTION MACHINE PLATE



Ø9 – 5+5



PM1309-10-10-MP

PIASTRA 10 INNESTI EASYLOCK CON VALVOLA TUBO Ø9,5 - PLATE WITH 10 EASYLOCK PLUG Ø9,5 WITH VALVE

PM1309-10-13-MP

PIASTRA 10 INNESTI EASYLOCK CON VALVOLA PER TUBO Ø12,7 – PLATE WITH 10 EASYLOCK PLUG Ø12,7 WITH VALVE



PM1309-10-10-MT

PIASTRA 10 INNESTI CON PORTAGOMMA E VALVOLA PER TUBO Ø10 – PLATE WITH 10 HOSE TAIL PLUG Ø10 WITH VALVE

PM1309-10-12-MT

PIASTRA 10 INNESTI PORTAGOMMA CON VALVOLA PER TUBO Ø12 – PLATE WITH 10 HOSE TAIL PLUG Ø12 WITH VALVE

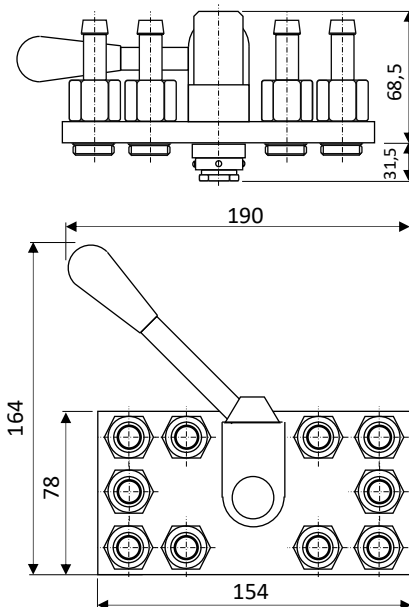


PM1309-10-G038-MF

PIASTRA 10 INNESTI CON FILETTO FEMMINA 3/8" BSPP CON VALVOLA - PLATE WITH 10 X 3/8" BSPP FEMALE TRHEADED PLUG WITH VALVE

PM1309-10-00-MB

PIASTRA BASE, SENZA RACCORDI – BASE PLATE WITHOUT PLUGS



COMPONENTI SINGOLI – SINGLE COMPONENTS

PCM1301-09-10

RACCORDO EASYLOCK PER TUBO Ø9,5 mm. CON VALVOLA
EASYLOCK PLUG HOSE Ø9,5 mm. WITH VALVE

PCM1301-09-13

RACCORDO EASYLOCK PER TUBO Ø9,5 mm. CON VALVOLA
EASYLOCK PLUG HOSE Ø9,5 mm. WITH VALVE

PCM1303-09-10

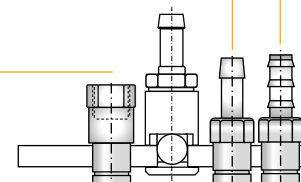
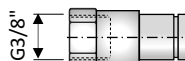
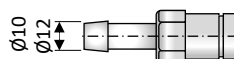
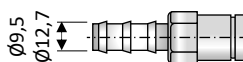
RACCORDO PORTAGOMMA TUBO Ø10 mm.
HOSE TAIL PLUG Ø10 mm. WITH VALVE

PCM1303-09-12

RACCORDO PORTAGOMMA TUBO Ø12 mm.
HOSE TAIL PLUG HOSE Ø12 mm. WITH VALVE

PCM1349-09-G038

RACCORDO DRITTO FIL. FEMMINA 3/8" BSPP
FEMALE THREADED PLUG 3/8" BSPP WITH VALVE



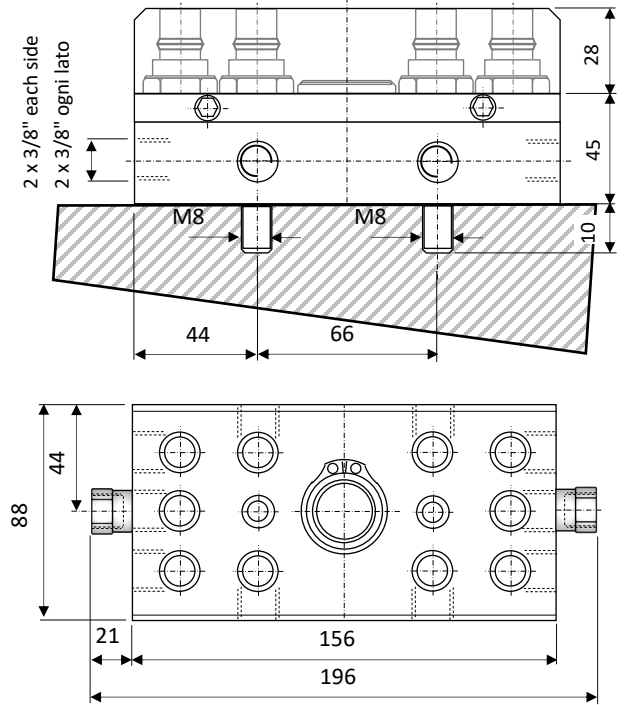
COMPONENTI PARTE STAMPO – MOULD SIDE COMPONENTS

PM1309-10-SC-BXV

PIASTRA CON 10 NIPPLI MASCHIO SENZA VALVOLA
PLATE WITH 10 PLUGS WITHOUT VALVE

PM1309-10-SC-BYV

PIASTRA CON 10 NIPPLI MASCHIO CON VALVOLA
PLATE WITH 10 PLUGS WITH VALVE



PM1309

PIASTRA CON PASSAGGIO Ø9 – 6+6 POSIZIONI
PLATE WITH FLOW PASSAGE Ø9 6+6 GATES

Ø9 – 6+6



PIASTRA LATO PRESSA – INJECTION MACHINE PLATE



PM1309-12-10-MP

PIASTRA 12 INNESTI EASYLOCK CON VALVOLA TUBO Ø9,5 - PLATE WITH 12 EASYLOCK PLUG Ø9,5 WITH VALVE



PM1309-12-13-MP

PIASTRA 12 INNESTI EASYLOCK CON VALVOLA PER TUBO Ø12,7 – PLATE WITH 12 EASYLOCK PLUG Ø12,7 WITH VALVE



PM1309-12-10-MT

PIASTRA 12 INNESTI CON PORTAGOMMA E VALVOLA PER TUBO Ø10 – PLATE WITH 12 HOSE TAIL PLUG Ø10 WITH VALVE



PM1309-12-12-MT

PIASTRA 12 INNESTI PORTAGOMMA CON VALVOLA PER TUBO Ø12 – PLATE WITH 12 HOSE TAIL PLUG Ø12 WITH VALVE

PM1309-12-G038-MF

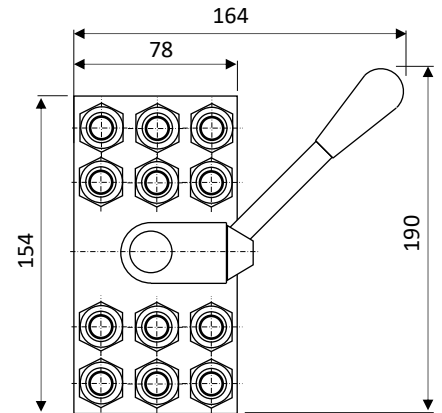
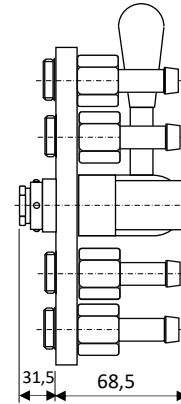
PIASTRA 12 INNESTI CON FILETTO FEMMINA G3/8" CON VALVOLA - PLATE WITH 12 X G3/8" FEMALE TRHEADED PLUG WITH VALVE

PM1309-12-G100-MF

PIASTRA 12 INNESTI CON VALVOLA ED UN INGRESSO FEMMINA G1" - PLATE WITH 12 X PLUGS WITH VALVE AND ONE INLET WITH G3/8" FEMALE THREAD

PM1309-12-00-MB

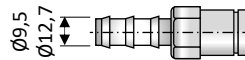
PIASTRA BASE, SENZA RACCORDI – BASE PLATE WITHOUT PLUGS



COMPONENTI SINGOLI – SINGLE COMPONENTS

PCM1301-09-10

RACCORDO EASYLOCK PER TUBO Ø9,5 mm. CON VALVOLA
EASYLOCK PLUG HOSE Ø9,5 mm. WITH VALVE

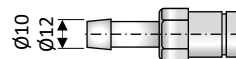


PCM1301-09-13

RACCORDO EASYLOCK PER TUBO Ø9,5 mm. CON VALVOLA
EASYLOCK PLUG HOSE Ø9,5 mm. WITH VALVE

PCM1303-09-10

RACCORDO PORTAGOMMA TUBO Ø10 mm.
HOSE TAIL PLUG Ø10 mm. WITH VALVE

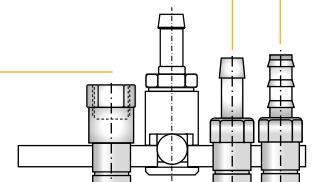
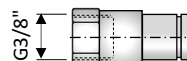


PCM1303-09-12

RACCORDO PORTAGOMMA TUBO Ø12 mm.
HOSE TAIL PLUG HOSE Ø12 mm. WITH VALVE

PCM1349-09-G038

RACCORDO DRITTO FIL. FEMMINA 3/8" BSPP
FEMALE THREADED PLUG 3/8" BSPP WITH VALVE

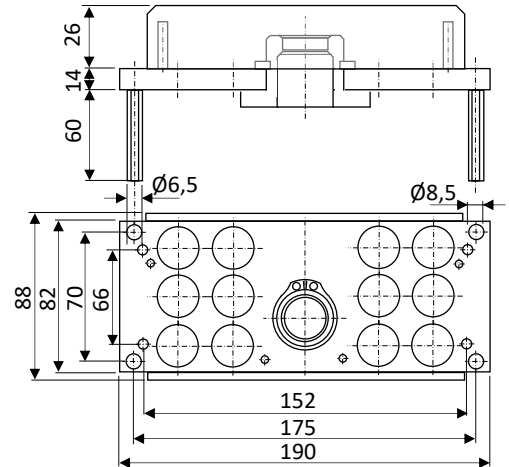


COMPONENTI PARTE STAMPO – MOULD SIDE COMPONENTS



PM1309-12-00-SB

PIASTRA BASE CON PIEDINI E
INNESTO PIASTRA - BASE PLATE
WITH SPACERS AND PLATE PLUG

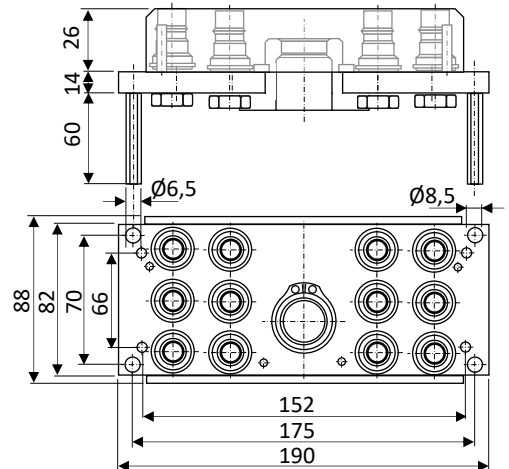


PM1309-12-12-SBXV

PIASTRA CON INNESTI RAPIDI SENZA VALVOLA
PLATE WITH QUICK COUPLINGS WITHOUT VALVE

PM1309-12-12-SBYV

PIASTRA CON INNESTI RAPIDI CON VALVOLA
PLATE WITH QUICK COUPLINGS WITH VALVE



COMPONENTI SINGOLI – SINGLE COMPONENTS

PCM1319-09-G038-BYV

INNESTO RAPIDO DI COLLEGAMENTO ALLA PARTE MOBILE CON VALVOLA
QUICK COUPLING WITH VALVE FOR CONNECTING TO THE MOBILE PLATE

PCM1319-09-G038-BXV

INNESTO RAPIDO DI COLLEGAMENTO ALLA PARTE MOBILE SENZA VALVOLA
QUICK COUPLING WITHOUT VALVE FOR CONNECTING TO THE MOBILE PLATE

PC2247-10-G038

RACCORDO EASYLOCK 90° PER TUBO Ø9,5 mm - 90° EASYLOCK PLUG HOSE Ø9,5 mm.

PC2247-13-G038

RACCORDO EASYLOCK 90° PER TUBO Ø12,7 mm. - 90° EASYLOCK PLUG HOSE Ø12,7 mm.

PC2248-10-G038

RACCORDO PORTAGOMMA 90° TUBO Ø10 mm. - 90° HOSE TAIL PLUG Ø10 mm.

PC2248-12-G038

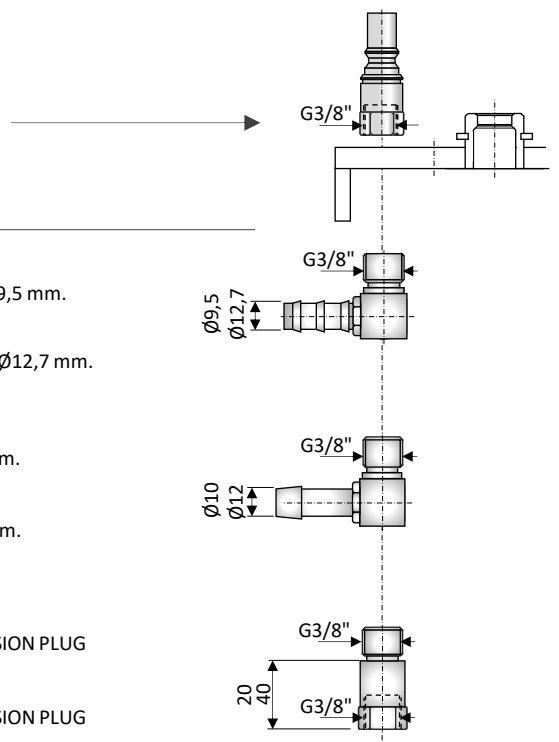
RACCORDO PORTAGOMMA 90° TUBO Ø12 mm. - 90° HOSE TAIL PLUG Ø12 mm.

PC2249-G038-L020

RACCORDO DRITTO FIL. FEMMINA G3/8" – G3/8" FEMALE THREADED EXTENSION PLUG

PC2249-G038-L040

RACCORDO DRITTO FIL. FEMMINA G3/8" – G3/8" FEMALE THREADED EXTENSION PLUG



PM1309

PIASTRA CON PASSAGGIO Ø9 – 10+10 POSIZIONI
PLATE WITH FLOW PASSAGE Ø9 10+10 GATES



Ø9 – 10+10

PIASTRA LATO PRESSA – INJECTION MACHINE PLATE



PM1309-20-10-MP

PIASTRA 20 INNESTI EASYLOCK CON VALVOLA TUBO Ø9,5 - PLATE WITH 20 EASYLOCK PLUG Ø9,5 WITH VALVE



PM1309-20-13-MP

PIASTRA 20 INNESTI EASYLOCK CON VALVOLA PER TUBO Ø12,7 – PLATE WITH 20 EASYLOCK PLUG Ø12,7 WITH VALVE



PM1309-20-10-MT

PIASTRA 20 INNESTI CON PORTAGOMMA E VALVOLA PER TUBO Ø10 – PLATE WITH 20 HOSE TAIL PLUG Ø10 WITH VALVE



PM1309-20-12-MT

PIASTRA 20 INNESTI PORTAGOMMA CON VALVOLA PER TUBO Ø12 – PLATE WITH 20 HOSE TAIL PLUG Ø12 WITH VALVE

PM1309-20-G038-MF

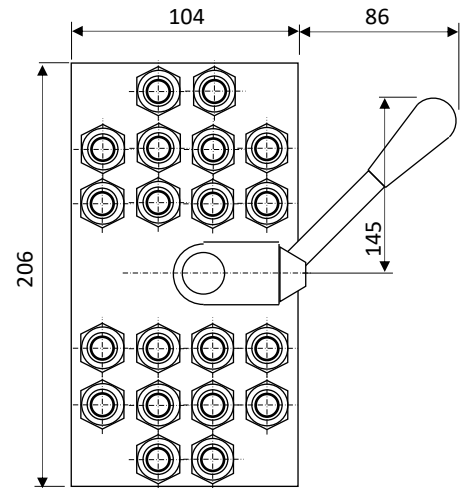
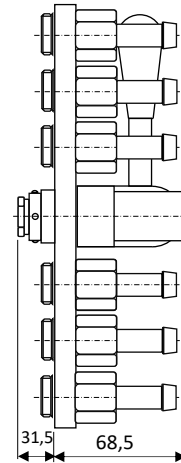
PIASTRA 20 INNESTI CON FILETTO FEMMINA G3/8" CON VALVOLA - PLATE WITH 20 X G3/8" FEMALE TRHEADED PLUG WITH VALVE

PM1309-20-G100-MF

PIASTRA 20 INNESTI CON VALVOLA ED UN INGRESSO FEMMINA G1" - PLATE WITH 20 X PLUGS WITH VALVE AND ONE INLET WITH G3/8" FEMALE THREAD

PM1309-20-00-MB

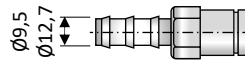
PIASTRA BASE, SENZA RACCORDI – BASE PLATE WITHOUT PLUGS



COMPONENTI SINGOLI – SINGLE COMPONENTS

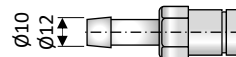
PCM1301-09-10

RACCORDO EASYLOCK PER TUBO Ø9,5 mm. CON VALVOLA
EASYLOCK PLUG HOSE Ø9,5 mm. WITH VALVE



PCM1301-09-13

RACCORDO EASYLOCK PER TUBO Ø9,5 mm. CON VALVOLA
EASYLOCK PLUG HOSE Ø9,5 mm. WITH VALVE

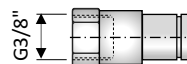


PCM1303-09-10

RACCORDO PORTAGOMMA TUBO Ø10 mm.
HOSE TAIL PLUG Ø10 mm. WITH VALVE

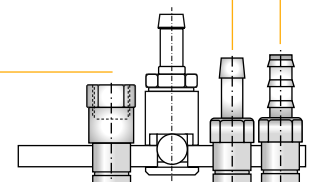
PCM1303-09-12

RACCORDO PORTAGOMMA TUBO Ø12 mm.
HOSE TAIL PLUG HOSE Ø12 mm. WITH VALVE



PCM1349-09-G038

RACCORDO DRITTO FIL. FEMMINA 3/8" BSPP
FEMALE THREADED PLUG 3/8" BSPP WITH VALVE

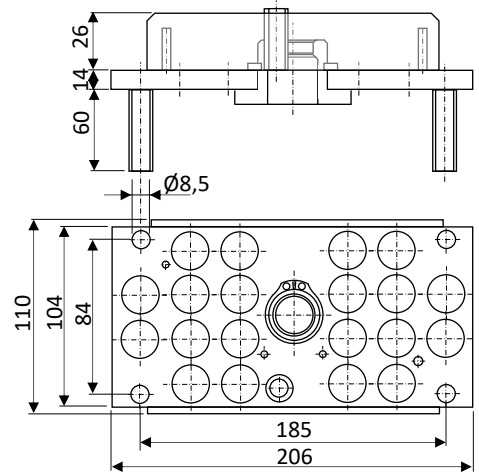


COMPONENTI PARTE STAMPO – MOULD SIDE COMPONENTS



PM1309-20-00-SB

PIASTRA BASE CON PIEDINI E
INNESTO PIASTRA - BASE PLATE
WITH SPACERS AND PLATE PLUG

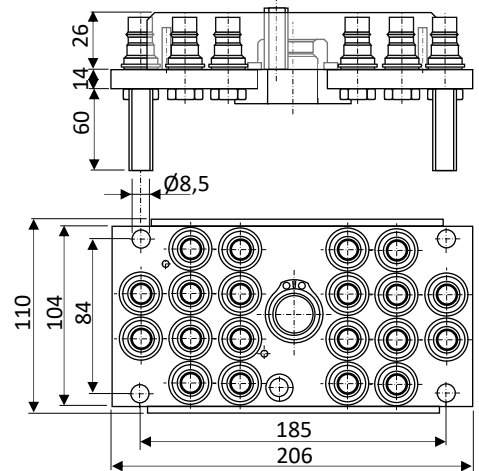


PM1309-20-20-SBXV

PIASTRA CON INNESTI RAPIDI SENZA VALVOLA
PLATE WITH QUICK COUPLINGS WITHOUT VALVE

PM1309-20-20-SBYV

PIASTRA CON INNESTI RAPIDI CON VALVOLA
PLATE WITH QUICK COUPLINGS WITH VALVE



COMPONENTI SINGOLI – SINGLE COMPONENTS

PCM1319-09-G038-BYV

INNESTO RAPIDO DI COLLEGAMENTO ALLA PARTE MOBILE CON VALVOLA
QUICK COUPLING WITH VALVE FOR CONNECTING TO THE MOBILE PLATE

PCM1319-09-G038-BXV

INNESTO RAPIDO DI COLLEGAMENTO ALLA PARTE MOBILE SENZA VALVOLA
QUICK COUPLING WITHOUT VALVE FOR CONNECTING TO THE MOBILE PLATE

PC2247-10-G038

RACCORDO EASYLOCK 90° PER TUBO Ø9,5 mm - 90° EASYLOCK PLUG HOSE Ø9,5 mm.

PC2247-13-G038

RACCORDO EASYLOCK 90° PER TUBO Ø12,7 mm. - 90° EASYLOCK PLUG HOSE Ø12,7 mm.

PC2248-10-G038

RACCORDO PORTAGOMMA 90° TUBO Ø10 mm. - 90° HOSE TAIL PLUG Ø10 mm.

PC2248-12-G038

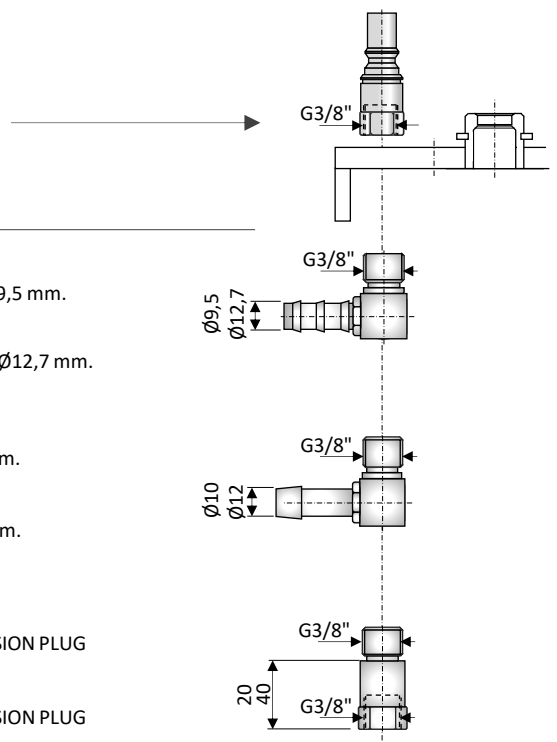
RACCORDO PORTAGOMMA 90° TUBO Ø12 mm. - 90° HOSE TAIL PLUG Ø12 mm.

PC2249-G038-L020

RACCORDO DRITTO FIL. FEMMINA G3/8" – G3/8" FEMALE THREADED EXTENSION PLUG

PC2249-G038-L040

RACCORDO DRITTO FIL. FEMMINA G3/8" – G3/8" FEMALE THREADED EXTENSION PLUG



PM1312

PIASTRA CON PASSAGGIO Ø12 – 6+6 POSIZIONI
PLATE WITH FLOW PASSAGE Ø12 6+6 GATES

PIASTRA LATO PRESSA – INJECTION MACHINE PLATE



Ø12 – 6+6



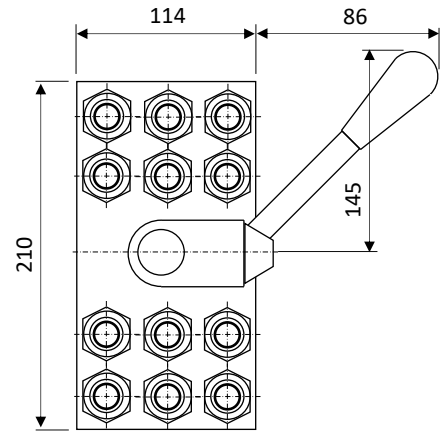
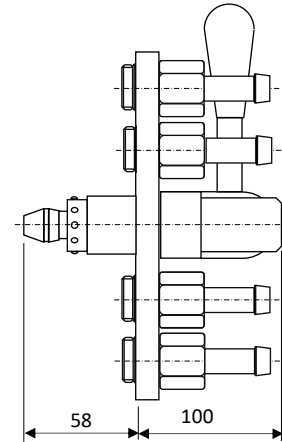
PM1312-12-16-MP
PIASTRA 12 INNESTI EASYLOCK CON
VALVOLA TUBO Ø16 - PLATE WITH 12
EASYLOCK PLUG Ø16 WITH VALVE



PM1312-12-16-MT
PIASTRA 12 INNESTI CON PORTAGOMMA E
VALVOLA PER TUBO Ø16 – PLATE WITH 12
HOSE TAIL PLUG Ø16 WITH VALVE



PM1312-12-G012-MF
PIASTRA 20 INNESTI CON FILETTO FEMMINA
G1/2" CON VALVOLA - PLATE WITH 20 X G1/2"
FEMALE TRHEADED PLUG WITH VALVE



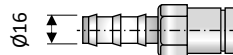
PM1312-12-00-MB

PIASTRA BASE, SENZA RACCORDI – BASE PLATE WITHOUT PLUGS

COMPONENTI SINGOLI – SINGLE COMPONENTS

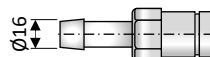
PCM1301-12-16

RACCORDO EASYLOCK PER TUBO Ø16 mm. CON VALVOLA
EASYLOCK PLUG HOSE Ø16 mm. WITH VALVE



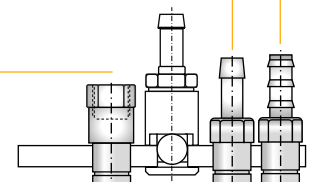
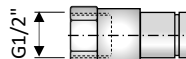
PCM1303-12-16

RACCORDO PORTAGOMMA TUBO Ø16 mm.
HOSE TAIL PLUG HOSE Ø12 mm. WITH VALVE



PCM1349-12-G012

RACCORDO DRITTO FIL. FEMMINA 1/2" BSPP
FEMALE THREADED PLUG 1/2" BSPP WITH VALVE

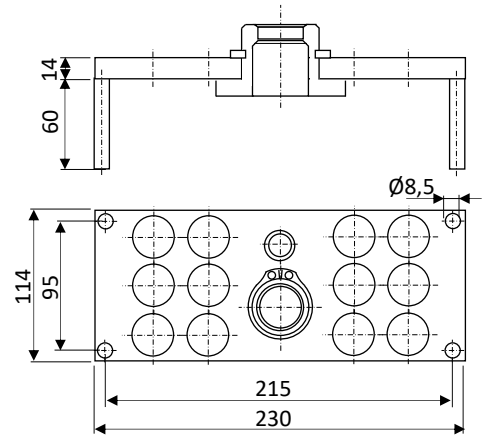


COMPONENTI PARTE STAMPO – MOULD SIDE COMPONENTS



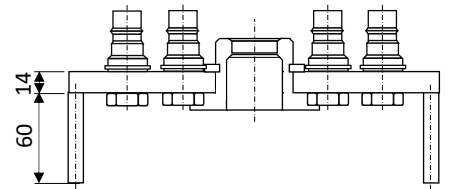
PM1312-12-00-SB

PIASTRA BASE CON PIEDINI E
INNESTO PIASTRA - BASE PLATE
WITH SPACERS AND PLATE PLUG



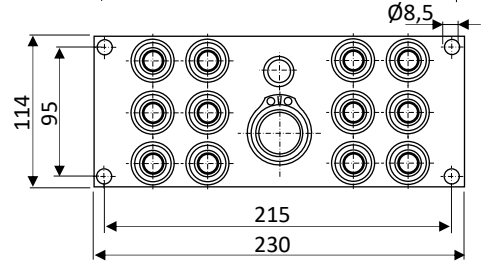
PM1312-12-12-SBXV

PIASTRA CON INNESTI RAPIDI SENZA VALVOLA
PLATE WITH QUICK COUPLINGS WITHOUT VALVE



PM1312-12-12-SBYV

PIASTRA CON INNESTI RAPIDI CON VALVOLA
PLATE WITH QUICK COUPLINGS WITH VALVE



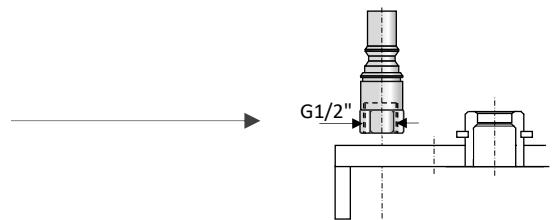
COMPONENTI SINGOLI – SINGLE COMPONENTS

PCM1319-12-G012-BYV

INNESTO RAPIDO DI COLLEGAMENTO ALLA PARTE MOBILE CON VALVOLA
QUICK COUPLING WITH VALVE FOR CONNECTING TO THE MOBILE PLATE

PCM1319-12-G012-BXV

INNESTO RAPIDO DI COLLEGAMENTO ALLA PARTE MOBILE SENZA VALVOLA
QUICK COUPLING WITHOUT VALVE FOR CONNECTING TO THE MOBILE PLATE

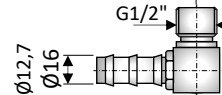


PC2247-13-G012

RACCORDO EASYLOCK 90° PER TUBO Ø12,7 mm. - 90° EASYLOCK PLUG HOSE Ø12,7 mm.

PC2247-16-G012

RACCORDO EASYLOCK 90° PER TUBO Ø16 mm. - 90° EASYLOCK PLUG HOSE Ø16 mm.

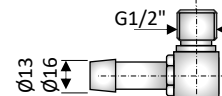


PC2248-13-G012

RACCORDO PORTAGOMMA 90° TUBO Ø13 mm. - 90° HOSE TAIL PLUG Ø13 mm.

PC2248-16-G012

RACCORDO PORTAGOMMA 90° TUBO Ø16 mm. - 90° HOSE TAIL PLUG Ø16 mm.

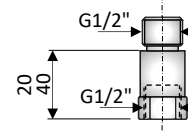


PC2249-G012-L020

RACCORDO DRITTO FIL. FEMMINA G1/2" – G1/2" FEMALE THREADED EXTENSION PLUG

PC2249-G012-L040

RACCORDO DRITTO FIL. FEMMINA G1/2" – G1/2" FEMALE THREADED EXTENSION PLUG



PM1312

PIASTRA CON PASSAGGIO Ø12 – 10+10 POSIZIONI
PLATE WITH FLOW PASSAGE Ø12 10+10 GATES



Ø12 – 10+10

PIASTRA LATO PRESSA – INJECTION MACHINE PLATE



PM1312-20-16-MP

PIASTRA 20 INNESTI EASYLOCK CON VALVOLA TUBO Ø16 - PLATE WITH 20 EASYLOCK PLUG Ø16 WITH VALVE



PM1312-20-16-MT

PIASTRA 20 INNESTI CON PORTAGOMMA E VALVOLA PER TUBO Ø16 – PLATE WITH 20 HOSE TAIL PLUG Ø16 WITH VALVE

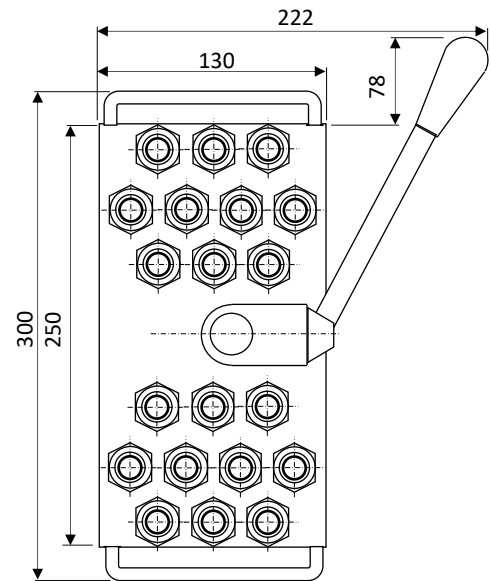
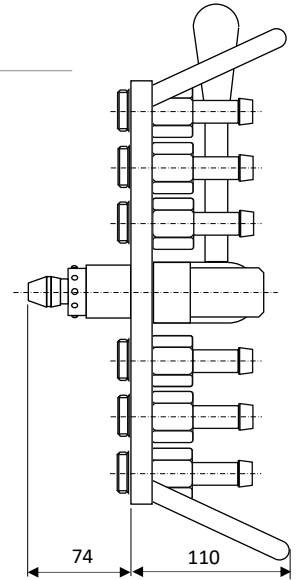


PM1312-20-G012-MF

PIASTRA 20 INNESTI CON FILETTO FEMMINA G1/2" CON VALVOLA - PLATE WITH 20 X G1/2" FEMALE TRHEADED PLUG WITH VALVE

PM1312-20-00-MB

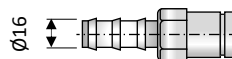
PIASTRA BASE, SENZA RACCORDI
BASE PLATE WITHOUT PLUGS



COMPONENTI SINGOLI – SINGLE COMPONENTS

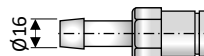
PCM1301-12-16

RACCORDO EASYLOCK PER TUBO Ø16 mm. CON VALVOLA
EASYLOCK PLUG HOSE Ø16 mm. WITH VALVE



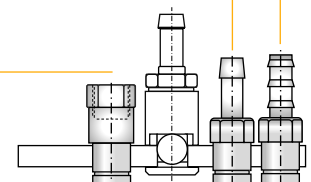
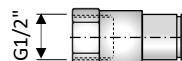
PCM1303-12-16

RACCORDO PORTAGOMMA TUBO Ø16 mm.
HOSE TAIL PLUG HOSE Ø16 mm. WITH VALVE



PCM1349-12-G012

RACCORDO DRITTO FIL. FEMMINA 1/2" BSPP
FEMALE THREADED PLUG 1/2" BSPP WITH VALVE

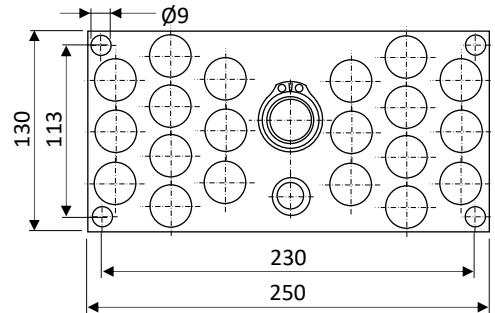
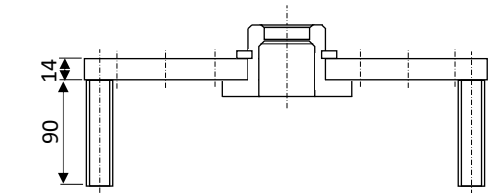


COMPONENTI PARTE STAMPO – MOULD SIDE COMPONENTS



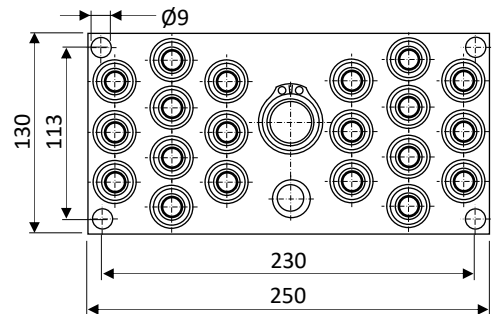
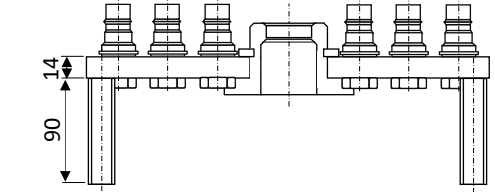
PM1312-20-00-SB

PIASTRA BASE CON PIEDINI E
INNESTO PIASTRA - BASE PLATE
WITH SPACERS AND PLATE PLUG



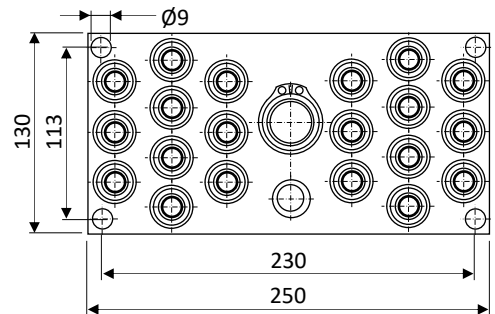
PM1312-20-20-SBXV

PIASTRA CON INNESTI RAPIDI SENZA VALVOLA
PLATE WITH QUICK COUPLINGS WITHOUT VALVE



PM1312-20-20-SBYV

PIASTRA CON INNESTI RAPIDI CON VALVOLA
PLATE WITH QUICK COUPLINGS WITH VALVE



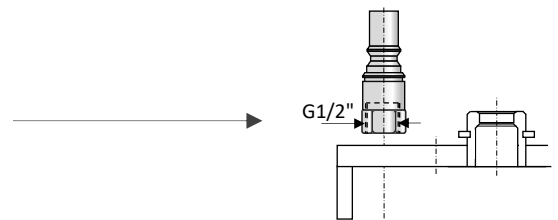
COMPONENTI SINGOLI – SINGLE COMPONENTS

PCM1319-12-G012-BYV

INNESTO RAPIDO DI COLLEGAMENTO ALLA PARTE MOBILE CON VALVOLA
QUICK COUPLING WITH VALVE FOR CONNECTING TO THE MOBILE PLATE

PCM1319-12-G012-BXV

INNESTO RAPIDO DI COLLEGAMENTO ALLA PARTE MOBILE SENZA VALVOLA
QUICK COUPLING WITHOUT VALVE FOR CONNECTING TO THE MOBILE PLATE

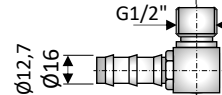


PC2247-13-G012

RACCORDO EASYLOCK 90° PER TUBO Ø12,7 mm. - 90° EASYLOCK PLUG HOSE Ø12,7 mm.

PC2247-16-G012

RACCORDO EASYLOCK 90° PER TUBO Ø16 mm. - 90° EASYLOCK PLUG HOSE Ø16 mm.

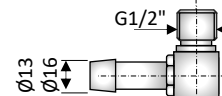


PC2248-13-G012

RACCORDO PORTAGOMMA 90° TUBO Ø13 mm. - 90° HOSE TAIL PLUG Ø13 mm.

PC2248-16-G012

RACCORDO PORTAGOMMA 90° TUBO Ø16 mm. - 90° HOSE TAIL PLUG Ø16 mm.

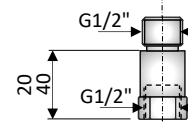


PC2249-G012-L020

RACCORDO DRITTO FIL. FEMMINA G1/2" – G1/2" FEMALE THREADED EXTENSION PLUG

PC2249-G012-L040

RACCORDO DRITTO FIL. FEMMINA G1/2" – G1/2" FEMALE THREADED EXTENSION PLUG



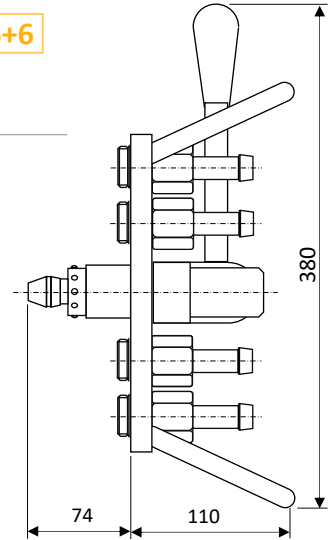
PM1316

PIASTRA CON PASSAGGIO Ø16 – 6+6 POSIZIONI
PLATE WITH FLOW PASSAGE Ø16 6+6 GATES

PIASTRA LATO PRESSA – INJECTION MACHINE PLATE



Ø16 – 6+6



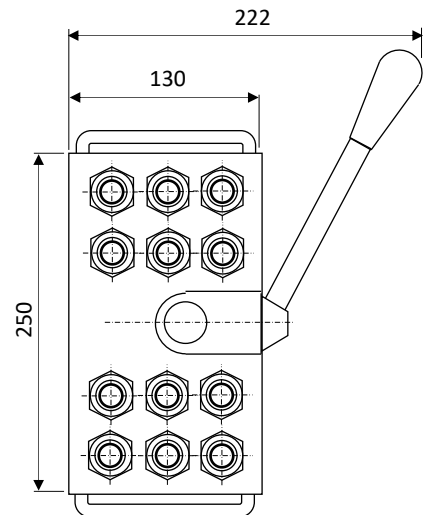
PM1316-12-19-MP
PIASTRA 12 INNESTI EASYLOCK CON VALVOLA TUBO Ø19 - PLATE WITH 12 EASYLOCK PLUG Ø19 WITH VALVE



PM1316-12-19-MT
PIASTRA 12 INNESTI CON PORTAGOMMA E VALVOLA PER TUBO Ø19 – PLATE WITH 12 HOSE TAIL PLUG Ø19 WITH VALVE



PM1316-12-G034-MF
PIASTRA 12 INNESTI CON FILETTO FEMMINA G3/4" CON VALVOLA - PLATE WITH 12 X G3/4" FEMALE TRHEADED PLUG WITH VALVE

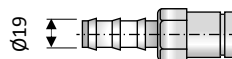


PM1316-12-00-MB
PIASTRA BASE, SENZA RACCORDI
BASE PLATE WITHOUT PLUGS

COMPONENTI SINGOLI – SINGLE COMPONENTS

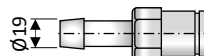
PCM1301-16-19

RACCORDO EASYLOCK PER TUBO Ø19 mm. CON VALVOLA
EASYLOCK PLUG HOSE Ø19 mm. WITH VALVE



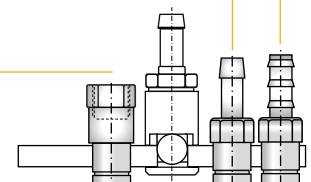
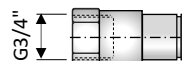
PCM1303-16-19

RACCORDO PORTAGOMMA TUBO Ø19 mm.
HOSE TAIL PLUG HOSE Ø19 mm. WITH VALVE



PCM1349-16-G034

RACCORDO DRITTO FIL. FEMMINA 3/4" BSPP
FEMALE THREADED PLUG 3/4" BSPP WITH VALVE



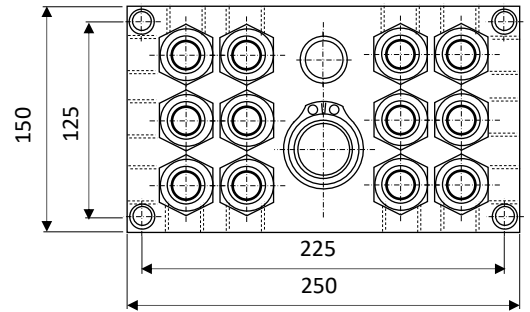
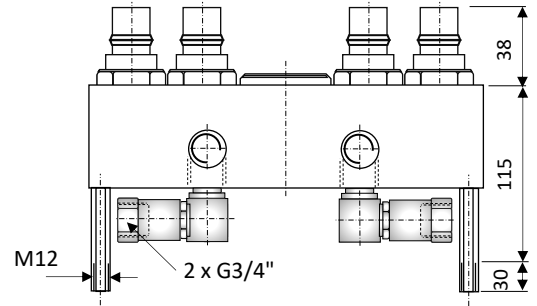
COMPONENTI PARTE STAMPO – MOULD SIDE COMPONENTS

PM1316-12-SC-BXV

PIASTRA CON 12 NIPPLI MASCHIO SENZA VALVOLA
PLATE WITH 12 PLUGS WITHOUT VALVE

PM1316-12-SC-BYV

PIASTRA CON 12 NIPPLI MASCHIO CON VALVOLA
PLATE WITH 12 PLUGS WITH VALVE



PM0115

PIASTRA LATO PRESSA – INJECTION MACHINE PLATE

PIASTRA CON PASSAGGIO Ø5 – 4+4 POSIZIONI
PLATE WITH FLOW PASSAGE Ø5 4+4 GATES

PM0115-05-08-G14-MF

PIASTRA 8 INNESTI CON VALVOLA FACCIA PIANA E FILETTO FEMMINA G1/4" - PLATE WITH 8 FLAT FACE VALVE PLUGS AND G1/4" FEMALE THREAD

PIASTRA CON PASSAGGIO Ø5 – 5+5 POSIZIONI
PLATE WITH FLOW PASSAGE Ø5 5+5 GATES

PM0115-05-10-G14-MF

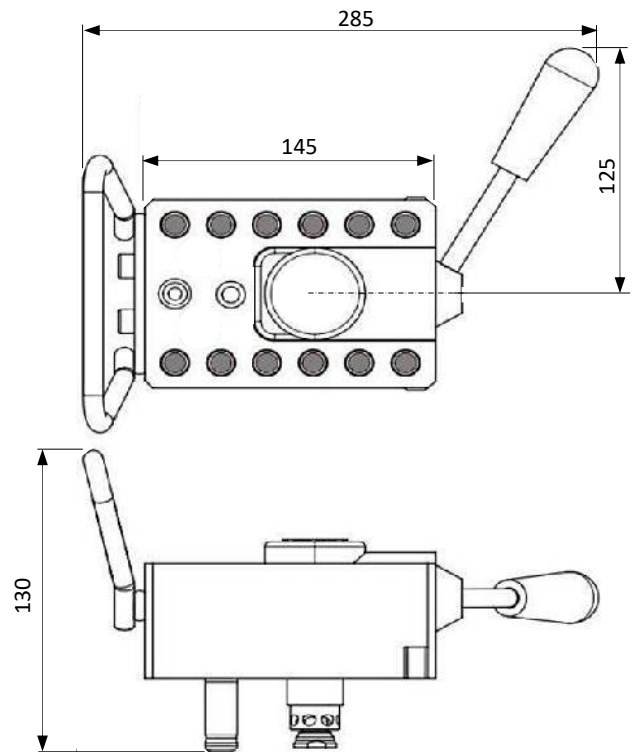
PIASTRA 10 INNESTI CON VALVOLA FACCIA PIANA E FILETTO FEMMINA G1/4" - PLATE WITH 10 FLAT FACE VALVE PLUGS AND G1/4" FEMALE THREAD

PIASTRA CON PASSAGGIO Ø5 – 6+6 POSIZIONI
PLATE WITH FLOW PASSAGE Ø5 6+6 GATES

PM0115-05-12-G14-MF

PIASTRA 12 INNESTI CON VALVOLA FACCIA PIANA E FILETTO FEMMINA G1/4" - PLATE WITH 12 FLAT FACE VALVE PLUGS AND G1/4" FEMALE THREAD

Disponibili anche con filetto femmina conico R1/4", NPT 1/4" e UNF 9/16-18 – Available also with female thread R1/4" conical, NPT 1/4" and UNF 9/16-18



PCM0115-05-IF

INNESTO FEMMINA PER PIASTRA-STAMPO PM0115 PASSAGGIO Ø5
 FEMALE PLUG FOR MOULD-PLATE PM0115 WITH FLOW PASSAGE Ø5



PM0115

PIASTRA LATO STAMPO – MOULD PLATE

**PIASTRA CON PASSAGGIO Ø5 – 4+4 POSIZIONI
PLATE WITH FLOW PASSAGE Ø5 4+4 GATES**

PM0115-05-08-G14-SB

PIASTRA 8 INNESTI CON VALVOLA FACCIA PIANA E FILETTO FEMMINA G1/4" - PLATE WITH 8 FLAT FACE VALVE PLUGS AND G1/4" FEMALE THREAD



**PIASTRA CON PASSAGGIO Ø5 – 5+5 POSIZIONI
PLATE WITH FLOW PASSAGE Ø5 5+5 GATES**

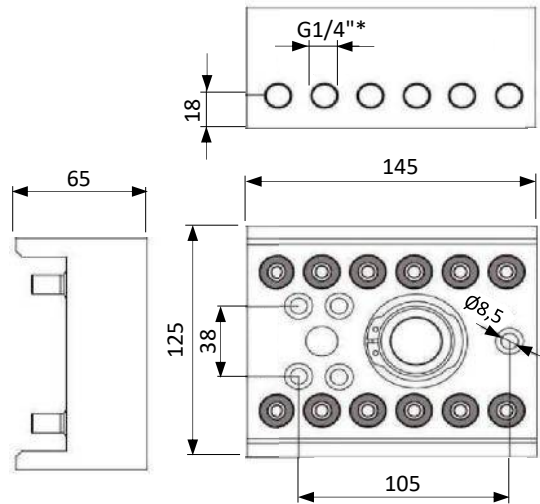
PM0115-05-10-G14-SB

PIASTRA 10 INNESTI CON VALVOLA FACCIA PIANA E FILETTO FEMMINA G1/4" - PLATE WITH 10 FLAT FACE VALVE PLUGS AND G1/4" FEMALE THREAD

**PIASTRA CON PASSAGGIO Ø5 – 6+6 POSIZIONI
PLATE WITH FLOW PASSAGE Ø5 6+6 GATES**

PM0115-05-12-G14-SB

PIASTRA 12 INNESTI CON VALVOLA FACCIA PIANA E FILETTO FEMMINA G1/4" - PLATE WITH 12 FLAT FACE VALVE PLUGS AND G1/4" FEMALE THREAD



* Disponibili anche con filetto femmina conico R1/4", NPT 1/4" e UNF 9/16-18 – Available also with female thread R1/4" conical, NPT 1/4" and UNF 9/16-18

PCM0115-05-IM

**INNESTO MASCHIO PER PIASTRA-STAMPO PM0115 PASSAGGIO Ø5
MALE PLUG FOR MOULD-PLATE PM0115 WITH FLOW PASSAGE Ø5**



PM0115

PIASTRA LATO PRESSA – INJECTION MACHINE PLATE

PIASTRA CON PASSAGGIO Ø5 – 8+8 POSIZIONI
 PLATE WITH FLOW PASSAGE Ø5 8+8 GATES

PM0115-05-16-G14-MF

PIASTRA 16 INNESTI CON VALVOLA FACCIA PIANA E
 FILETTO FEMMINA G1/4" - PLATE WITH 16 FLAT FACE
 VALVE PLUGS AND G1/4" FEMALE THREAD

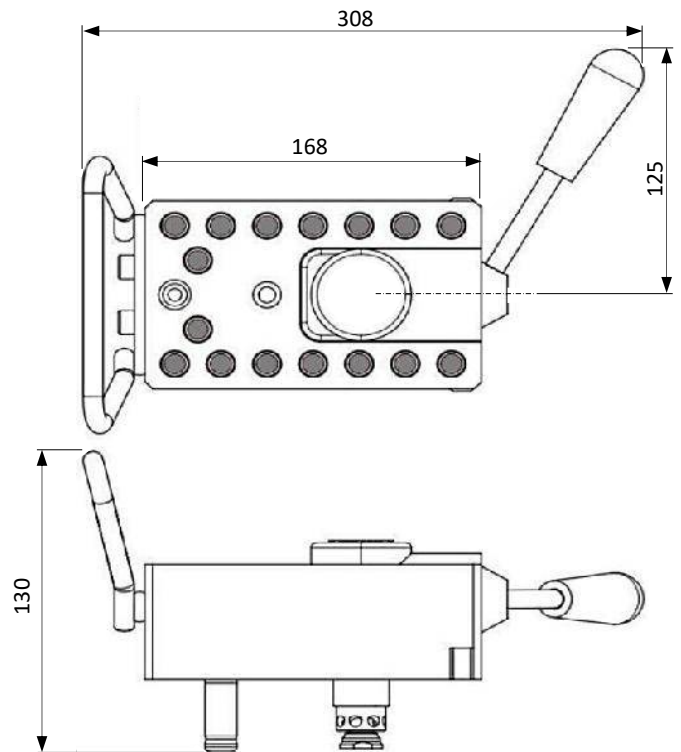


PIASTRA CON PASSAGGIO Ø5 – 7+7 POSIZIONI
 PLATE WITH FLOW PASSAGE Ø5 7+7 GATES

PM0115-05-14-G14-MF

PIASTRA 14 INNESTI CON VALVOLA FACCIA PIANA E
 FILETTO FEMMINA G1/4" - PLATE WITH 14 FLAT FACE
 VALVE PLUGS AND G1/4" FEMALE THREAD

Disponibili anche con filetto femmina conico R1/4", NPT 1/4" e
 UNF 9/16-18 – Available also with female thread R1/4" conical,
 NPT 1/4" and UNF 9/16-18



PCM0115-05-IF

INNESTO FEMMINA PER PIASTRA-STAMPO PM0115 PASSAGGIO Ø5
 FEMALE PLUG FOR MOULD-PLATE PM0115 WITH FLOW PASSAGE Ø5



PM0115

PIASTRA LATO STAMPO – MOULD PLATE

**PIASTRA CON PASSAGGIO Ø5 – 8+8 POSIZIONI
PLATE WITH FLOW PASSAGE Ø5 8+8 GATES**

PM0115-05-16-G14-SB

PIASTRA 16 INNESTI CON VALVOLA FACCIA PIANA E FILETTO FEMMINA G1/4" - PLATE WITH 16 FLAT FACE VALVE PLUGS AND G1/4" FEMALE THREAD

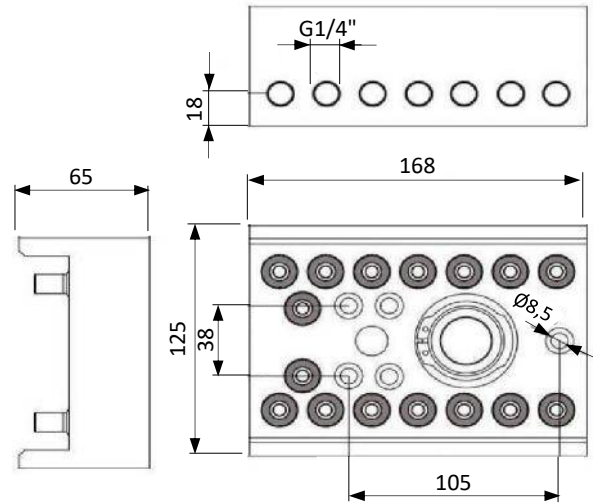


**PIASTRA CON PASSAGGIO Ø5 – 7+7 POSIZIONI
PLATE WITH FLOW PASSAGE Ø5 7+7 GATES**

PM0115-05-14-G14-SB

PIASTRA 14 INNESTI CON VALVOLA FACCIA PIANA E FILETTO FEMMINA G1/4" - PLATE WITH 14 FLAT FACE VALVE PLUGS AND G1/4" FEMALE THREAD

Disponibili anche con filetto femmina conico R1/4", NPT 1/4" e UNF 9/16-18 – Available also with female thread R1/4" conical, NPT 1/4" and UNF 9/16-18



PCM0115-05-IM

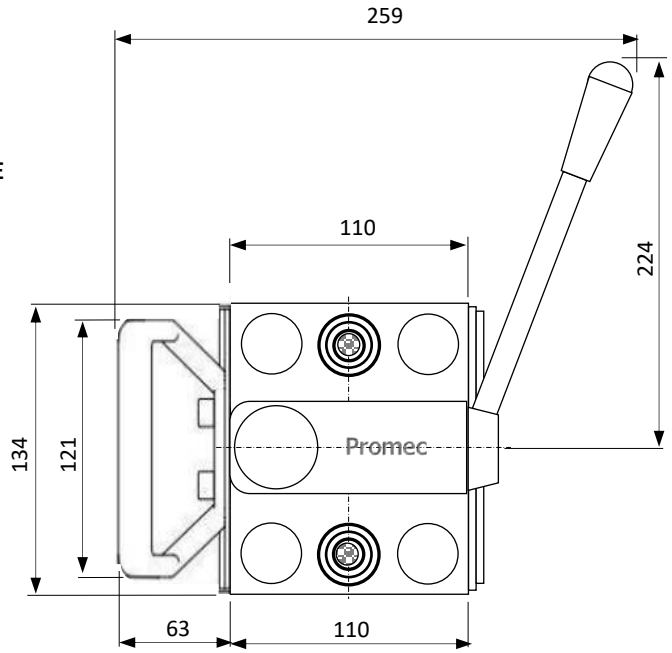
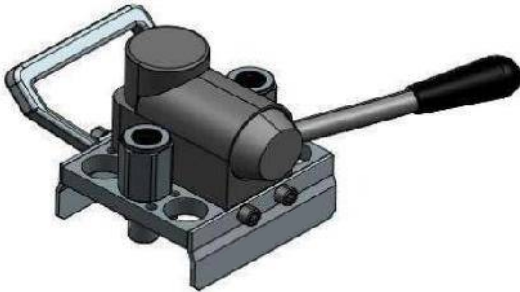
INNESTO MASCHIO PER PIASTRA-STAMPO PM0115 PASSAGGIO Ø5
MALE PLUG FOR MOULD-PLATE PM0115 WITH FLOW PASSAGE Ø5



PM0108.08

PIASTRA CON PASSAGGIO Ø8 – 1+1 POSIZIONI
PLATE WITH FLOW PASSAGE Ø8 1+1 GATES

PIASTRA LATO PRESSA – INJECTION MACHINE PLATE



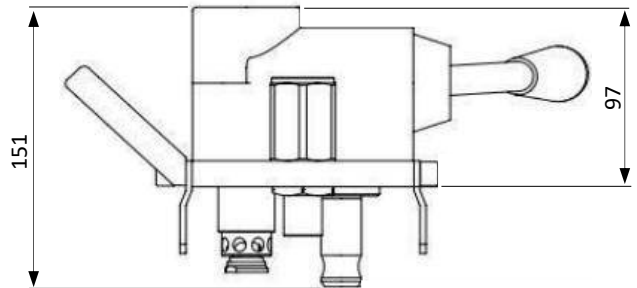
PM0108-08-02-G38-MF

PIASTRA 1+1 INNESTI CON VALVOLA FACCIA PIANA E FILETTO FEMMINA G3/8" - PLATE WITH 1+1 FLAT FACE VALVE PLUGS AND G3/8" FEMALE THREAD

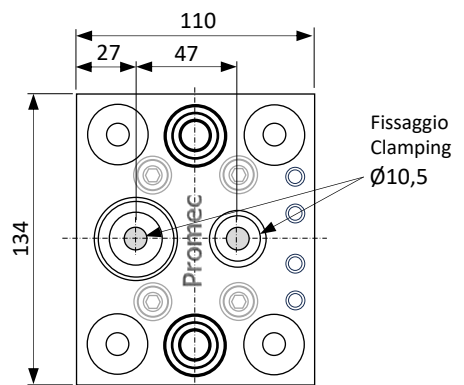
PM0108-08-02-G12-MF

PIASTRA 1+1 INNESTI CON VALVOLA FACCIA PIANA E FILETTO FEMMINA G1/2" - PLATE WITH 1+1 FLAT FACE VALVE PLUGS AND G1/2" FEMALE THREAD

Disponibili anche con filetto femmina NPT e UNF – Available also with female thread NPT and UNF



PIASTRA LATO STAMPO – MOULD PLATE



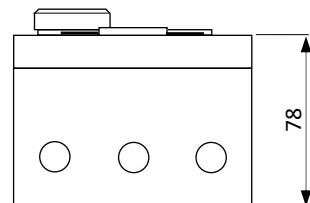
PM0108-08-02-G38-SB

PIASTRA 1+1 INNESTI CON VALVOLA FACCIA PIANA E FILETTO FEMMINA G3/8" - PLATE WITH 1+1 FLAT FACE VALVE PLUGS AND G3/8" FEMALE THREAD

PM0108-08-02-G12-SB

PIASTRA 1+1 INNESTI CON VALVOLA FACCIA PIANA E FILETTO FEMMINA G1/2" - PLATE WITH 1+1 FLAT FACE VALVE PLUGS AND G1/2" FEMALE THREAD

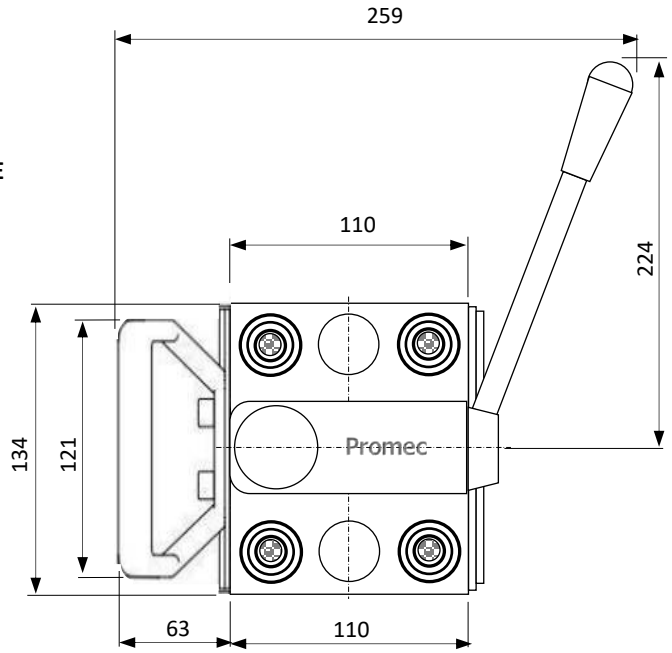
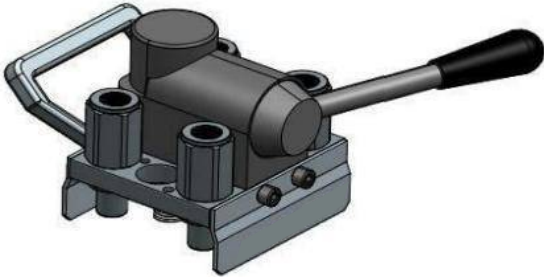
Disponibili anche con filetto femmina NPT e UNF – Available also with female thread NPT and UNF



PM0108.08

PIASTRA CON PASSAGGIO Ø8 – 2+2 POSIZIONI
PLATE WITH FLOW PASSAGE Ø8 2+2 GATES

PIASTRA LATO PRESSA – INJECTION MACHINE PLATE



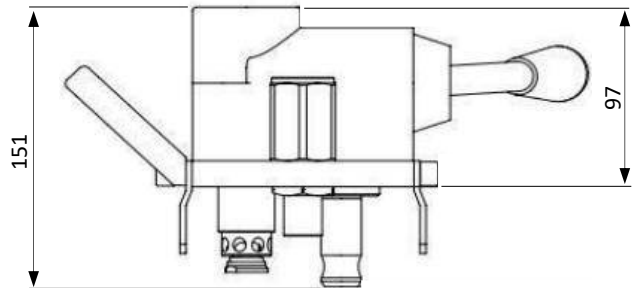
PM0108-08-04-G38-MF

PIASTRA 2+2 INNESTI CON VALVOLA FACCIA PIANA E FILETTO FEMMINA G3/8" - PLATE WITH 2+2 FLAT FACE VALVE PLUGS AND G3/8" FEMALE THREAD

PM0108-08-04-G12-MF

PIASTRA 2+2 INNESTI CON VALVOLA FACCIA PIANA E FILETTO FEMMINA G1/2" - PLATE WITH 2+2 FLAT FACE VALVE PLUGS AND G1/2" FEMALE THREAD

Disponibili anche con filetto femmina NPT e UNF – Available also with female thread NPT and UNF



PIASTRA LATO STAMPO – MOULD PLATE



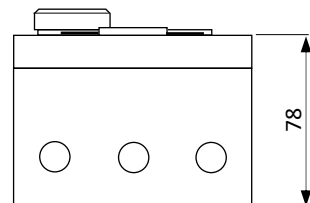
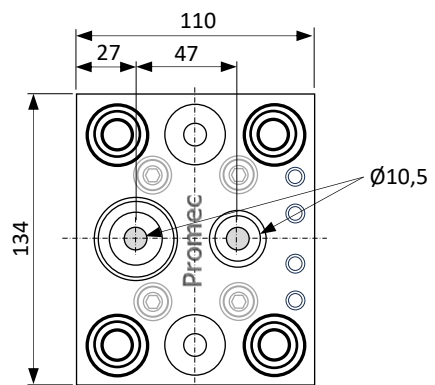
PM0108-08-04-G38-SB

PIASTRA 2+2 INNESTI CON VALVOLA FACCIA PIANA E FILETTO FEMMINA G3/8" - PLATE WITH 2+2 FLAT FACE VALVE PLUGS AND G3/8" FEMALE THREAD

PM0108-08-04-G12-SB

PIASTRA 2+2 INNESTI CON VALVOLA FACCIA PIANA E FILETTO FEMMINA G1/2" - PLATE WITH 2+2 FLAT FACE VALVE PLUGS AND G1/2" FEMALE THREAD

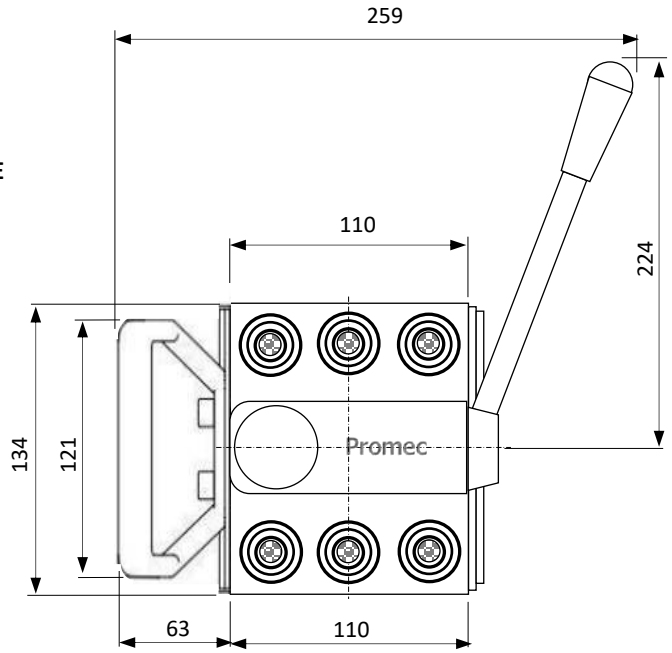
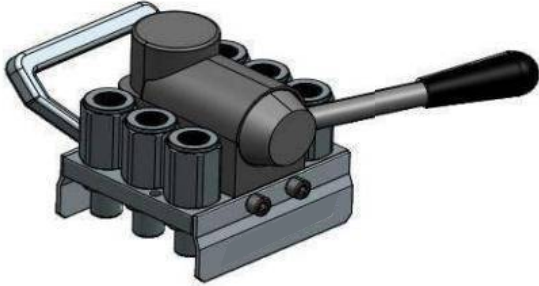
Disponibili anche con filetto femmina NPT e UNF – Available also with female thread NPT and UNF



PM0108.08

PIASTRA CON PASSAGGIO Ø8 – 3+3 POSIZIONI
PLATE WITH FLOW PASSAGE Ø8 3+3 GATES

PIASTRA LATO PRESSA – INJECTION MACHINE PLATE



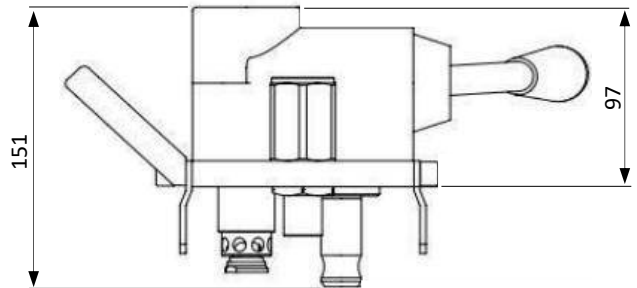
PM0108-08-06-G38-MF

PIASTRA 3+3 INNESTI CON VALVOLA FACCIA PIANA E FILETTO FEMMINA G3/8" - PLATE WITH 3+3 FLAT FACE VALVE PLUGS AND G3/8" FEMALE THREAD

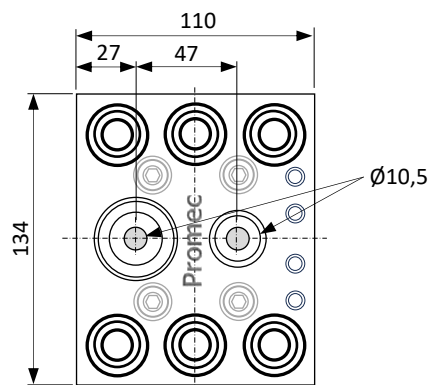
PM0108-08-06-G12-MF

PIASTRA 3+3 INNESTI CON VALVOLA FACCIA PIANA E FILETTO FEMMINA G1/2" - PLATE WITH 3+3 FLAT FACE VALVE PLUGS AND G1/2" FEMALE THREAD

Disponibili anche con filetto femmina NPT e UNF – Available also with female thread NPT and UNF



PIASTRA LATO STAMPO – MOULD PLATE



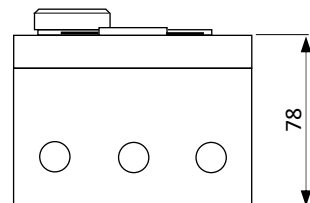
PM0108-08-06-G38-SB

PIASTRA 3+3 INNESTI CON VALVOLA FACCIA PIANA E FILETTO FEMMINA G3/8" - PLATE WITH 3+3 FLAT FACE VALVE PLUGS AND G3/8" FEMALE THREAD

PM0108-08-06-G12-SB

PIASTRA 3+3 INNESTI CON VALVOLA FACCIA PIANA E FILETTO FEMMINA G1/2" - PLATE WITH 3+3 FLAT FACE VALVE PLUGS AND G1/2" FEMALE THREAD

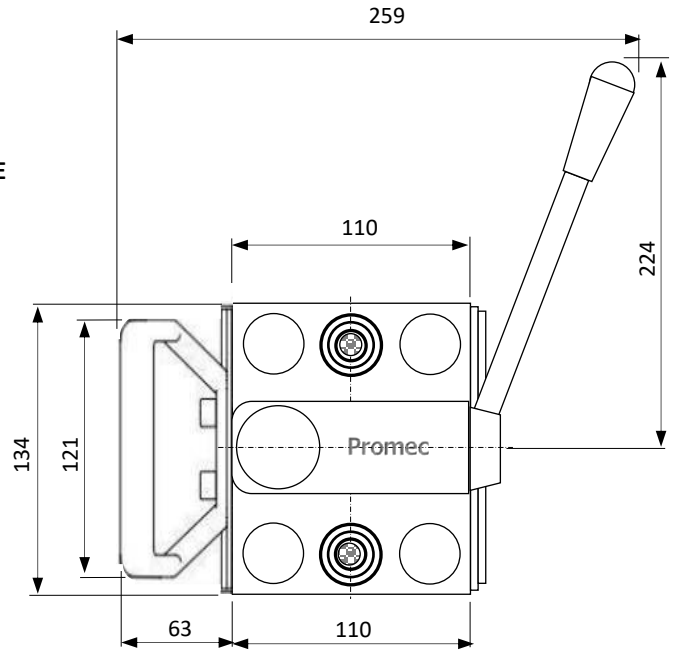
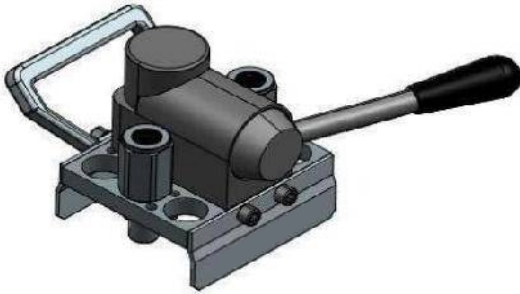
Disponibili anche con filetto femmina NPT e UNF – Available also with female thread NPT and UNF



PM0108.10

PIASTRA CON PASSAGGIO Ø10 – 1+1 POSIZIONI
PLATE WITH FLOW PASSAGE Ø10 1+1 GATES

PIASTRA LATO PRESSA – INJECTION MACHINE PLATE



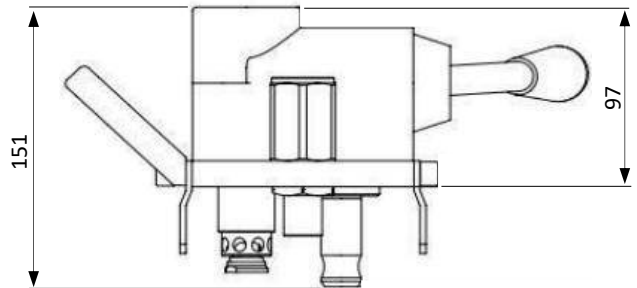
PM0108-10-04-G38-MF

PIASTRA 1+1 INNESTI CON VALVOLA FACCIA PIANA E FILETTO FEMMINA G3/8" - PLATE WITH 1+1 FLAT FACE VALVE PLUGS AND G3/8" FEMALE THREAD

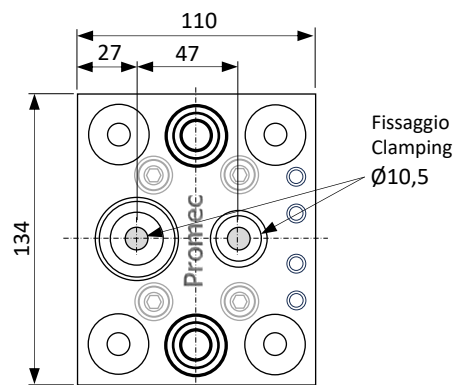
PM0108-10-04-G12-MF

PIASTRA 1+1 INNESTI CON VALVOLA FACCIA PIANA E FILETTO FEMMINA G1/2" - PLATE WITH 1+1 FLAT FACE VALVE PLUGS AND G1/2" FEMALE THREAD

Disponibili anche con filetto femmina NPT e UNF – Available also with female thread NPT and UNF



PIASTRA LATO STAMPO – MOULD PLATE



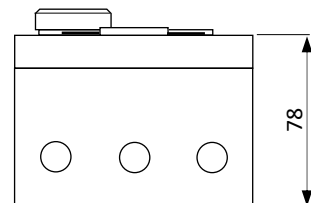
PM0108-10-04-G38-SB

PIASTRA 1+1 INNESTI CON VALVOLA FACCIA PIANA E FILETTO FEMMINA G3/8" - PLATE WITH 1+1 FLAT FACE VALVE PLUGS AND G3/8" FEMALE THREAD

PM0108-10-04-G12-SB

PIASTRA 1+1 INNESTI CON VALVOLA FACCIA PIANA E FILETTO FEMMINA G1/2" - PLATE WITH 1+1 FLAT FACE VALVE PLUGS AND G1/2" FEMALE THREAD

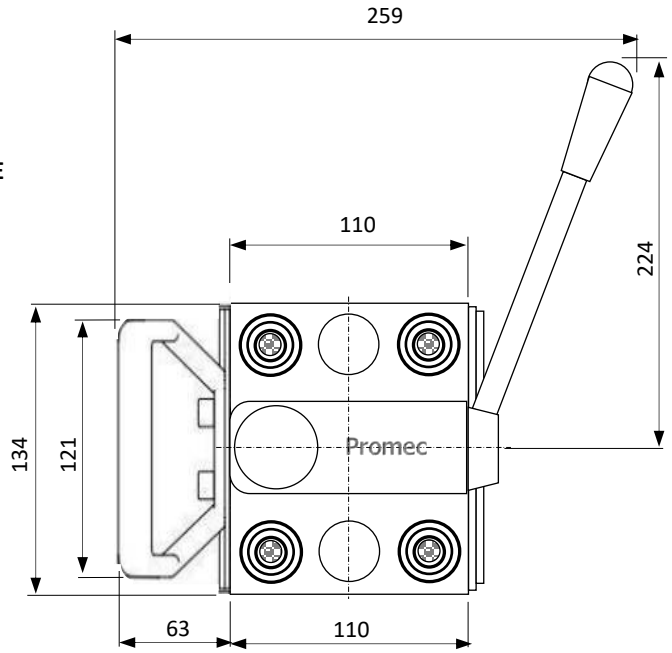
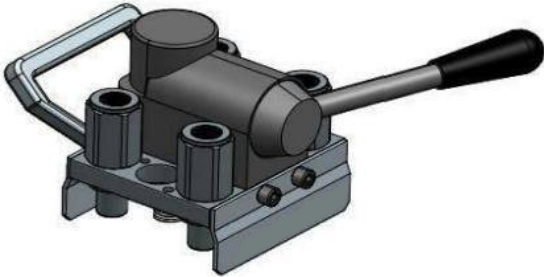
Disponibili anche con filetto femmina NPT e UNF – Available also with female thread NPT and UNF



PM0108.10

PIASTRA CON PASSAGGIO Ø10 – 2+2 POSIZIONI
PLATE WITH FLOW PASSAGE Ø10 2+2 GATES

PIASTRA LATO PRESSA – INJECTION MACHINE PLATE



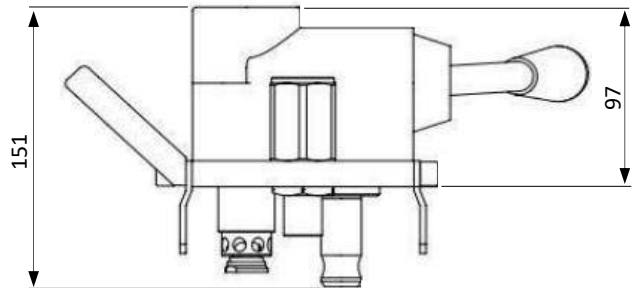
PM0108-10-04-G38-MF

PIASTRA 2+2 INNESTI CON VALVOLA FACCIA PIANA E FILETTO FEMMINA G3/8" - PLATE WITH 2+2 FLAT FACE VALVE PLUGS AND G3/8" FEMALE THREAD

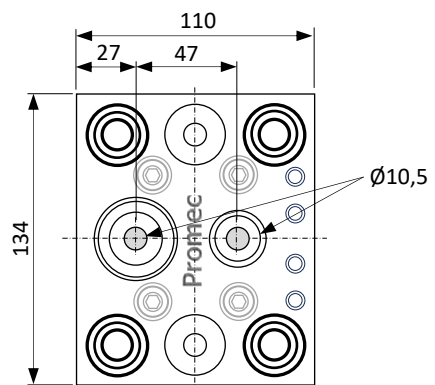
PM0108-10-04-G12-MF

PIASTRA 2+2 INNESTI CON VALVOLA FACCIA PIANA E FILETTO FEMMINA G1/2" - PLATE WITH 2+2 FLAT FACE VALVE PLUGS AND G1/2" FEMALE THREAD

Disponibili anche con filetto femmina NPT e UNF – Available also with female thread NPT and UNF



PIASTRA LATO STAMPO – MOULD PLATE



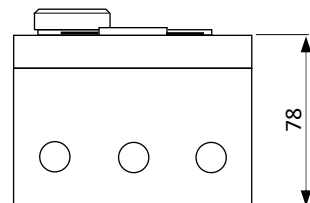
PM0108-10-04-G38-SB

PIASTRA 2+2 INNESTI CON VALVOLA FACCIA PIANA E FILETTO FEMMINA G3/8" - PLATE WITH 2+2 FLAT FACE VALVE PLUGS AND G3/8" FEMALE THREAD

PM0108-10-04-G12-SB

PIASTRA 2+2 INNESTI CON VALVOLA FACCIA PIANA E FILETTO FEMMINA G1/2" - PLATE WITH 2+2 FLAT FACE VALVE PLUGS AND G1/2" FEMALE THREAD

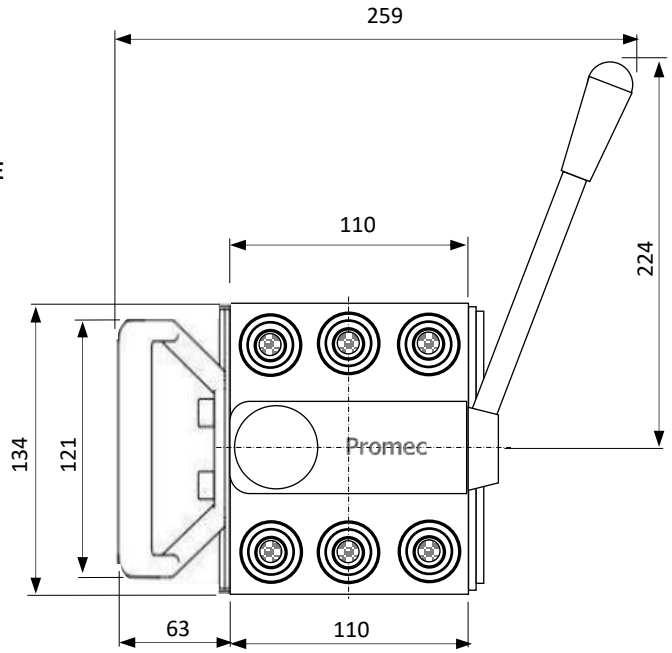
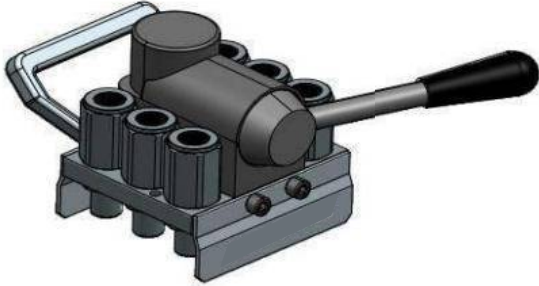
Disponibili anche con filetto femmina NPT e UNF – Available also with female thread NPT and UNF



PM0108.10

PIASTRA CON PASSAGGIO Ø10 – 3+3 POSIZIONI
PLATE WITH FLOW PASSAGE Ø10 3+3 GATES

PIASTRA LATO PRESSA – INJECTION MACHINE PLATE



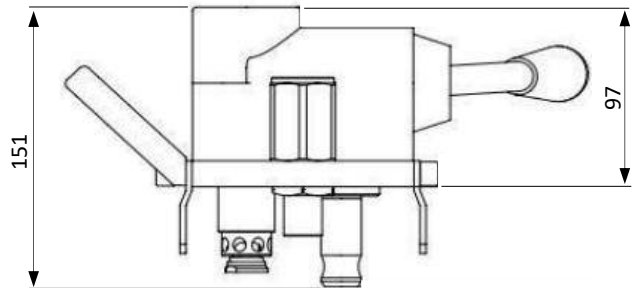
PM0108-10-06-G38-MF

PIASTRA 3+3 INNESTI CON VALVOLA FACCIA PIANA E FILETTO FEMMINA G3/8" - PLATE WITH 3+3 FLAT FACE VALVE PLUGS AND G3/8" FEMALE THREAD

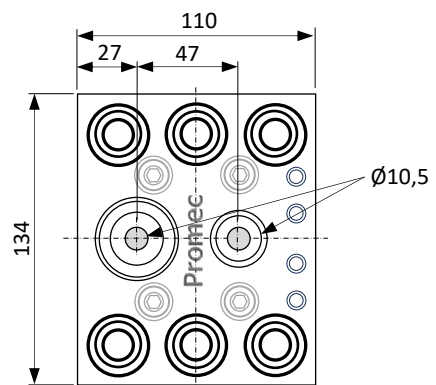
PM0108-10-06-G12-MF

PIASTRA 3+3 INNESTI CON VALVOLA FACCIA PIANA E FILETTO FEMMINA G1/2" - PLATE WITH 3+3 FLAT FACE VALVE PLUGS AND G1/2" FEMALE THREAD

Disponibili anche con filetto femmina NPT e UNF – Available also with female thread NPT and UNF



PIASTRA LATO STAMPO – MOULD PLATE



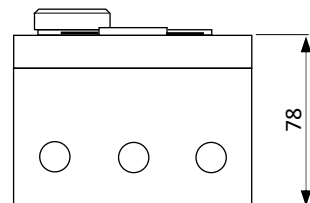
PM0108-10-06-G38-SB

PIASTRA 3+3 INNESTI CON VALVOLA FACCIA PIANA E FILETTO FEMMINA G3/8" - PLATE WITH 3+3 FLAT FACE VALVE PLUGS AND G3/8" FEMALE THREAD

PM0108-10-06-G12-SB

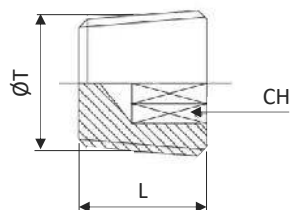
PIASTRA 3+3 INNESTI CON VALVOLA FACCIA PIANA E FILETTO FEMMINA G1/2" - PLATE WITH 3+3 FLAT FACE VALVE PLUGS AND G1/2" FEMALE THREAD

Disponibili anche con filetto femmina NPT e UNF – Available also with female thread NPT and UNF



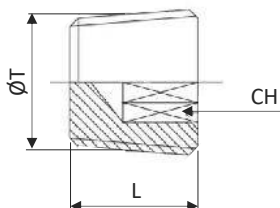
112	PC2201 	PH1105 	PC2301 	PC2242 	PC2203 	PH1103 	113	
114	PC2204 	PH1104 		PC2304 	PC2216 	PC2251 	115	
116	PC2250 	PC2272 	PC2280 		PC2207 	PH1107 	177	
118	PH1121 	PC2209 	PC2222 	PH1122 	PC2220 	PC2225 	119	
120	PC2223 	PH1123 	PH1114 	PC2218 	PH1118 	PH1113 	121	
122	PC2214 	PC2314 	PC2275 	PC2375 	PC2210 	PH1110 	PH1137 	123
124	PH1143 	PH1147 	PH1142 	PC2211 	PC2212 	PH1136 	125	
126	PH1116 	PH1148 	PH1141 	PH1138 	PH1139 	PH1140 	127	
128	PH1144 	PH1124 		PC2217 	PH1128 	PH1117 	129	
130	PC2246 	PC2271 	PC2255 	PC2256 	PC2249 	PH1150 	PC2238 	131
132	PC2265 	PC2239 		PC2215 	PH1199 	PH1198 	133	

NOTE TECNICHE: COLORE E MISURE NON FUNZIONALI DEI PRODOTTI FORNITI POTREBBE DIFFERIRE LEGGERMENTE RISPETTO A QUANTO PRESENTATO SUL CATALOGO, FATTO SALVO IL RISPETTO CARATTERISTICHE TECNICHE E FUNZIONALI O NORMATIVE - TECHNICAL NOTES: COLOR AND NON-FUNCTIONAL MEASUREMENTS OF THE PRODUCTS SUPPLIED MAY DIFFER SLIGHTLY FROM WHAT IS PRESENTED IN THE CATALOG, SUBJECT TO COMPLIANCE WITH TECHNICAL AND FUNCTIONAL CHARACTERISTICS OR STANDARD NORMS.

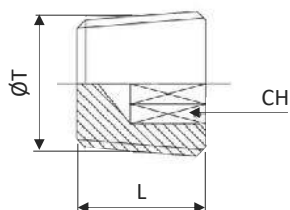
PC2201 TAPPO DIN 906 IN OTTONE NICHELATO* CON FILETTO CONICO
 DIN 906 NICKEL PLATED* BRASS PLUG WITH CONICAL THREAD


Codice-Code	CH	L	ØT	max Bar	
* PC2201-M6	3	6	M6	18	25
* PC2201-M8	4	8	M8x0.75		25
* PC2201-M10	5	8	M10x1		25
* PC2201-M12	6	10	M12x1.5		15
* PC2201-M14	7	10	M14x1.5		10
PC2201-R18	5	8	R1/8"		25
PC2201-R14	6	10	R1/4"		25
PC2201-R38	8	10.5	R3/8"		25
PC2201-R12	10	13	R1/2"		20
PC2201-R34	14	15.5	R3/4"		15
PC2201-R1	17	17.5	R1"		10
* PC2201-R114	14	22	R1"1/4		10
* PC2201-R112	17	22	R1"1/2		10

*: Ottone giallo – Yellow Brass

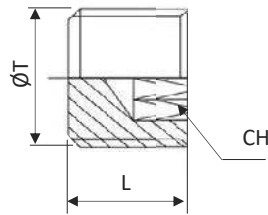
PH1105 TAPPO DIN 906 IN ACCIAIO FOSFATATO CON FILETTO CONICO
 DIN 906 PHOSPHATED STEEL PLUG WITH CONICAL THREAD


Codice-Code	CH	L	ØT	max Bar	
PH1105-M8	4	8	M8x1	350	10
PH1105-M10	5	8	M10x1	350	10
PH1105-M12	6	10	M12x1.5	350	10
PH1105-M14	7	10	M14x1.5	350	10
PH1105-M16	8	10	M16x1.5	350	10
PH1105-M18	8	10	M18x1.5	250	10
PH1105-M20	10	10	M20x1.5	250	10
PH1105-M22	10	10	M22x1.5	225	10
PH1105-M24	12	12	M24x1.5	225	10
PH1105-M26	12	12	M26x1.5	225	10
PH1105-M30	17	17	M30x1.5	200	10
PH1105-R18	5	8	R1/8"	350	10
PH1105-R14	7	10	R1/4"	350	10
PH1105-R38	8	10	R3/8"	250	10
PH1105-R12	10	10	R1/2"	225	10
PH1105-R34	12	12	R3/4"	200	5
PH1105-R1	17	12	R1"	160	5
PH1105-R114	22	18	R1"1/4	160	5
PH1105-R112	24	20	R1"1/2	160	5

PC2301 TAPPO DIN 906 IN AISI 304 CON FILETTO CONICO BSPT
 DIN 906 STAINLESS STEEL PLUG WITH BSPT CONICAL THREAD


Codice-Code	CH	L	T	max Bar	
PC2301-R18	5	8.2	R1/8"	150	10
PC2301-R14	6	10.2	R1/4"	150	10
PC2301-R38	8	11.6	R3/8"	150	10
PC2301-R12	10	13.3	R1/2"	150	10
PC2301-R34	12	15	R3/4"	150	10
PC2301-R1	17	19	R1"	120	5
PC2301-R114	22	22	R1"1/4	120	5
PC2301-R112	24	22	R1"1/2	120	5

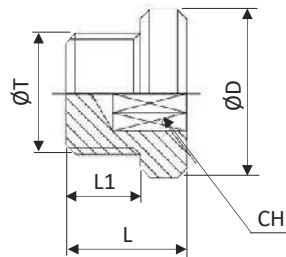
PC2242 TAPPO IN OTTONE NICHELATO* SENZA TESTA CON FILETTO CILINDRICO NICKEL PLATED* BRASS PLUG WITH PARALLEL THREAD



Codice-Code	CH	ØD	L	L1	ØT	max Bar	
PC2242-M8	4	-	8	-	M8x0.75	18	25
PC2242-M10	5	-	8	-	M10x1		25
PC2242-M12	6	-	8	-	M12x1.5		15
PC2242-M14	7	-	10	-	M14x1.5		10
* PC2242-M20	10	-	10	-	M20x1.5		10
* PC2242-M22	12	-	14	-	M22x1.5		10
PC2242-G18	5	-	8	-	G1/8"		25
PC2242-G14	7	-	10	-	G1/4"		25
PC2242-G38	8	-	10	-	G3/8"		25
PC2242-G12	10	-	10	-	G1/2"		20

*: Ottone giallo – Yellow Brass

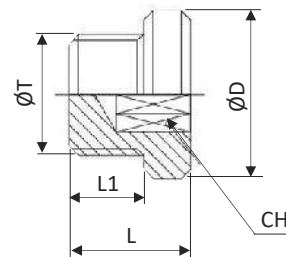
PC2203 TAPPO DIN 908 IN OTTONE NICHELATO* FILETTO DIN 908 NICKEL PLATED* BRASS PLUG WITH PARALLEL THREAD



Codice-Code	CH	ØD	L	L1	ØT	max Bar	
* PC2203-M10	5	14	11	8	M10x1	18	25
* PC2203-M12	6	17	15	12	M12x1.5		25
* PC2203-M14	6	19	15	12	M14x1.5		25
* PC2203-M20	10	25	16	13	M20x1.5		25
PC2203-G18	5	15	10	6	G1/8"		25
PC2203-G14	6	18	12	8	G1/4"		25
PC2203-G38	8	21	13	9	G3/8"		20
PC2203-G12	10	25	14.5	10	G1/2"		15
* PC2203-G34	12	32	20	15	G3/4"		10
* PC2203-G1	17	39	21	16	G1"		10

*: Ottone giallo – Yellow Brass

PH1103 TAPPO DIN 908 IN ACCIAIO FOSFATATO FILETTO CILINDRICO DIN 908 PHOSPHATED STEEL PLUG WITH PARALLEL THREAD



Codice-Code	CH	ØD	L	L1	ØT	max Bar	
PH1103-M8	4	12	11	8	M8x1	400	25
PH1103-M10	5	14	11	8	M10x1	400	25
PH1103-M12	6	17	15	12	M12x1.5	400	25
PH1103-M14	6	19	15	12	M14x1.5	400	10
PH1103-M16	8	21	15	12	M16x1.5	400	10
PH1103-M18	8	23	16	12	M18x1.5	400	10
PH1103-M20	10	25	18	14	M20x1.5	400	10
PH1103-M22	10	27	18	14	M22x1.5	400	10
PH1103-M24	12	29	18	14	M24x1.5	300	5
PH1103-M26	12	31	20	16	M26x1.5	250	5
PH1103-M27	12	32	20	16	M27x2	250	5
PH1103-M30	17	36	20	16	M30x1.5	250	5
PH1103-M33	17	39	21	16	M33x2	250	5
PH1103-M48	22	49	22	16	M48x2	250	5
PH1103-G18	5	14	11	8	G1/8"	400	25
PH1103-G14	6	18	15	12	G1/4"	400	25
PH1103-G38	8	22	15	12	G3/8"	400	10
PH1103-G12	10	26	18	14	G1/2"	400	10
PH1103-G34	12	32	20	16	G3/4"	400	5
PH1103-G1	17	39	21	16	G1"	400	5
PH1103-G114	22	49	21	16	G3/4"	250	5
PH1103-G112	24	55	21	16	G1"	250	5

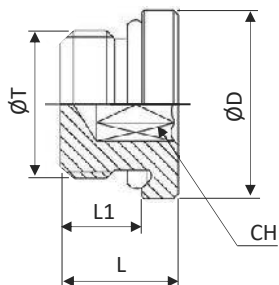
PH1199



PH1198

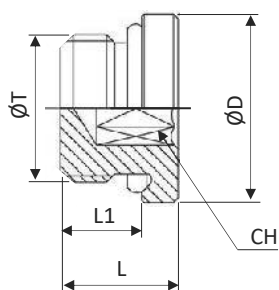


VEDI PAG. 99
SEE PAGE 99

PC2204 TAPPO IN OTTONE NICHELATO FILETTO CILINDRICO BSPP ED O-RING
 NICKEL PLATED BRASS WITH BSPP PARALLEL THREAD PLUG AND O-RING


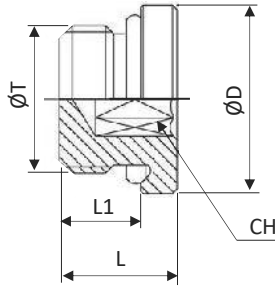
	Codice-Code	CH	ØD	L	L1	ØT	max Bar	
OR NBR	PC2204-M5-N	2.5	8	7.2	4.5	M5	18	25
OR FKM	PC2204-M5-V	2.5	8	7.2	4.5	M5		25
OR NBR	PC2204-G18-N	5	14	9.5	6.5	G1/8"		25
OR FKM	PC2204-G18-V	5	14	9.5	6.5	G1/8"		25
OR NBR	PC2204-G14-N	6	17	11.5	8	G1/4"		25
OR FKM	PC2204-G14-V	6	17	11.5	8.9	G1/4"		25
OR NBR	PC2204-G38-N	8	20	12.5	28	G3/8"		20
OR FKM	PC2204-G38-V	8	20	12.5	9	G3/8"		20
OR NBR	PC2204-G12-N	10	26	14	9	G1/2"		15
OR FKM	PC2204-G12-V	10	26	14	10	G1/2"		15
* OR NBR	PC2204-G34-N	12	32	20	15	G3/4"		10
* OR NBR	PC2204-G1-N	17	39	21	16	G1"		5
* OR NBR	PC2204-G114-N	22	47	24	18	G1"		5

*: Ottone giallo – Yellow Brass

PH1104 TAPPO DIN 908 IN ACCIAIO ZINCATO FILETTO CILINDRICO BSPP ED O-RING
 DIN 908 GALVANIZED STEEL BSPP PARALLEL THREAD PLUG AND O-RING


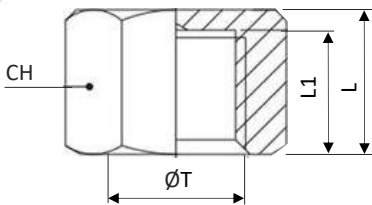
	Codice-Code	CH	ØD	L	L1	ØT	max Bar	
OR NBR	PH1104-M10-N	5	14	12	8	M10x1	400	10
OR FKM	PH1104-M10-V	5	14	12	8	M10x1	400	10
OR NBR	PH1104-M12-N	6	17	17	12	M12x1.5	400	10
OR FKM	PH1104-M12-V	6	17	17	12	M12x1.5	400	10
OR NBR	PH1104-M14-N	6	19	17	12	M14x1.5	400	10
OR FKM	PH1104-M14-V	6	19	17	12	M14x1.5	400	10
OR NBR	PH1104-M16-N	8	22	17	12	M16x1.5	400	10
OR FKM	PH1104-M16-V	8	22	17	12	M16x1.5	400	10
OR NBR	PH1104-M18-N	8	24	17	12	M18x1.5	400	10
OR FKM	PH1104-M18-V	8	24	17	12	M18x1.5	400	10
OR NBR	PH1104-M20-N	10	26	19	14	M20x1.5	400	10
OR FKM	PH1104-M20-V	10	26	19	14	M20x1.5	400	10
OR NBR	PH1104-M22-N	10	27	19	14	M22x1.5	400	10
OR FKM	PH1104-M22-V	10	27	19	14	M22x1.5	400	10
OR NBR	PH1104-M27-N	12	32	21	16	M27x2	400	5
OR FKM	PH1104-M27-V	12	32	21	16	M27x2	400	5
OR NBR	PH1104-G18-N	5	14	12	8	G1/8"	400	10
OR FKM	PH1104-G18-V	5	14	12	8	G1/8"	400	5
OR NBR	PH1104-G14-N	6	19	17	12	G1/4"	400	10
OR FKM	PH1104-G14-V	6	19	17	12	G1/4"	400	5
OR NBR	PH1104-G38-N	8	22	17	12	G3/8"	400	10
OR FKM	PH1104-G38-V	8	22	17	12	G3/8"	400	5
OR NBR	PH1104-G12-N	10	27	19	14	G1/2"	400	10
OR FKM	PH1104-G12-V	10	27	19	14	G1/2"	400	5
OR NBR	PH1104-G34-N	12	32	21	16	G3/4"	400	5
OR FKM	PH1104-G34-V	12	32	21	16	G3/4"	400	5
OR NBR	PH1104-G1-N	17	40	22.5	16	G1"	400	5
OR FKM	PH1104-G1-V	17	40	22.5	16	G1"	400	5
OR NBR	PH1104-G114-N	22	50	22.5	16	G1"1/4	250	5
OR FKM	PH1104-G114-V	22	50	22.5	16	G1"1/4	250	5
OR NBR	PH1104-G112-N	24	55	22.5	16	G1"1/2	250	5
OR FKM	PH1104-G112-V	24	55	22.5	16	G1"1/2	250	5

PC2304 TAPPO IN AISI 304 FILETTO CILINDRICO BSPP ED O-RING FKM 180°C
STAINLESS STEEL PLUG WITH BSPP PARALLEL THREAD AND FKM OR 180°C



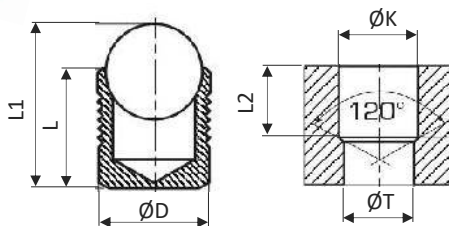
Codice-Code	CH	ØD	L	L1	ØT	max Bar	
PC2304-G18-V	5	14	12	8	G1/8"	400	10
PC2304-G14-V	6	19	17	12	G1/4"	400	10
PC2304-G38-V	8	22	17	12	G3/8"	400	10
PC2304-G12-V	10	27	19	14	G1/2"	400	10
PC2304-G34-V	12	32	21	16	G3/4"	400	10
PC2304-G1-V	17	40	22.5	16	G1"	400	10
PC2304-G114-V	12	50	22.5	16	G1"1/4	250	10
PC2304-G112-V	17	55	22.5	16	G1"1/2	250	10

PC2216 TAPPO IN OTTONE CON FILETTO FEMMINA BSPP
BSPP FEMALE THREAD BRASS PLUG

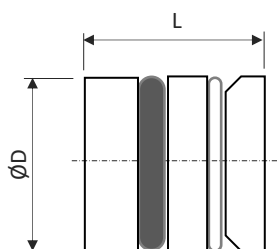


Codice-Code	CH	ØD	L	L1	ØT	max Bar	
PC2216-M5	8	-	7	5.5	M5	25	10
PC2216-G18	14	-	11	9	G1/8"	25	10
PC2216-G14	17	-	13	11	G1/4"	25	10
PC2216-G38	21	-	13.5	11	G3/8"	25	10
PC2216-G12	24	-	13.5	11	G1/2"	20	10
PC2216-G34	30	-	15	12.5	G3/4"	20	5
PC2216-G1	38	-	15	12.5	G1"	15	5

PC2251 TAPPO CHIUSURA A SFERA
BALL SEALING PLUG

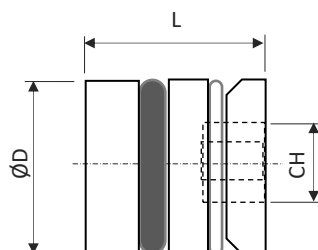


Codice-Code	ØD	ØK +0.10/-0	L	L1	L2	ØT max	
PC2251-03	3	3	3.6	4.6	3.4	2.2	100
PC2251-04	4	4	4	5.2	3.8	3.3	100
PC2251-05	5	5	5.5	7.1	5.3	4.3	100
PC2251-06	6	6	6.5	8.6	6.3	5.3	100
PC2251-07	7	7	7.5	10.1	7.3	6.4	100
PC2251-08	8	8	8.5	11.6	8.3	7.4	100
PC2251-09	9	9	10	13.6	9.8	8.4	50
PC2251-10	10	10	11	15.1	10.8	9.4	50
PC2251-12	12	12	13	17.9	12.8	10.6	50
PC2251-14	14	14	15	20.6	14.5	12.7	50
PC2251-16	16	16	17	23.4	16.5	14.7	25
PC2251-18	18	18	19	26.4	18.5	16.7	25
PC2251-20	20	20	22	30.1	21.45	18.7	25
PC2251-22	22	22	25	34	24.5	20.7	25

PC2250 TAPPO IN OTTONE AD ESPANSIONE CON O-RING FKM
 THREADLESS PRESSURE BRASS PLUG WITH FKM O-RING


Codice-Code	ØD	L	ØT	
-------------	----	---	----	--

PC2250-060	6	10	-	10
PC2250-070	7	10	-	10
PC2250-080	8	10	-	10
PC2250-085	8.5	10	-	10
PC2250-100	10	10	-	10
PC2250-115	11.5	10	-	10
PC2250-120	12	10	-	10

PC2272 TAPPO IN OTTONE AD ESPANSIONE CON O-RING FKM CHIAVE ESAGONALE
 THREADLESS PRESSURE BRASS PLUG WITH FKM O-RING INNER HEXAGON


Codice-Code	ØD	L	ØT	
-------------	----	---	----	--

PC2272-140	14	12	-	10
PC2272-150	15	12	-	10
PC2272-160	16	12	-	10
PC2272-200	20	12	-	10
PC2272-220	22	12	-	10

PC2280 DADO RIBASSATO IN OTTONE NICHELATO BSP
 NICKEL PLATED BSP LOW PROFILE LOCKNUT


Codice-Code	CH	H	ØT	
-------------	----	---	----	--

PC2280-G14	16	4	1/4"	10
PC2280-G38	19	4	3/8"	10
PC2280-G12	24	4.5	1/2"	10
PC2280-G34	30	5	3/4"	5
PC2280-G1	38	6	1"	5

PH1121 DADO BSP IN ACCIAIO – BSP STEEL LOCKNUT

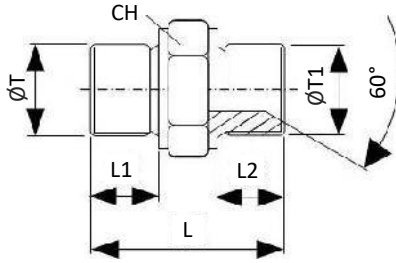

Codice-Code	CH	H	ØT	
-------------	----	---	----	--

PH1121-G14-DADO	19	7	1/4"	10
PH1121-G38-DADO	22	7.5	3/8"	10
PH1121-G12-DADO	27	8	1/2"	10
PH1121-G34-DADO	32	9	3/4"	5
PH1121-G1-DADO	38	9	1"	5
PH1121-G114-DADO	50	13	1"1/4	5
PH1121-G112-DADO	-	-	1"1/2	5

Per acciaio inox sostituire PH1121 con PC2321

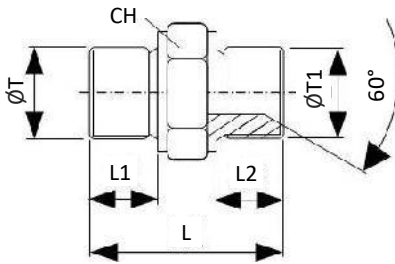
For stainless steel replace PH1121 with PC2321

PC2207 NIPPLO ISO 8434-6 OTTONE MASCHIO-MASCHIO BSPP CONO 60°
ISO 8434-6 BRASS MALE-MALE FITTING BSPP WITH 60° INNER CONE



Codice-Code	CH	L	L1	L2	ØT	ØT1	max Bar	
PC2207-G18	17	22	8	8	G1/8"	G1/8"	30	25
PC2207-G14-G18	17	23	10	8	G1/4"	G1/8"		25
PC2207-G38-G18	19	25	9	8	G3/8"	G1/8"		25
PC2207-G14	17	23	9	9	G1/4"	G1/4"		25
PC2207-G38-G14	19	23	9	9	G3/8"	G1/4"		25
PC2207-G38	19	23	12	9	G3/8"	G3/8"		20
PC2207-G12-G14	24	29	9	9	G1/2"	G1/4"		25
PC2207-G12-G38	24	29	12	9	G1/2"	G3/8"		20
PC2207-G12	24	30	14	14	G1/2"	G1/2"		15
PC2207-G34-G38	32	36	12	12	G3/4"	G3/8"		5
PC2207-G34-G12	32	36	14	12	G3/4"	G1/2"		5
PC2207-G34	32	40	15	15	G3/4"	G3/4"		5
PC2207-G1-G12	36	36	15	15	G1"	G1/2"	5	
PC2207-G1-G34	36	42	15	15	G1"	G3/4"	5	
PC2207-G1	36	38	15	15	G1"	G1"	5	
PC2207-G114	46	48	17.5	17.5	G1"1/4	G1"1/4	5	
PC2207-G112	50	56	23	23	G1"1/2	G1"1/2	15	5

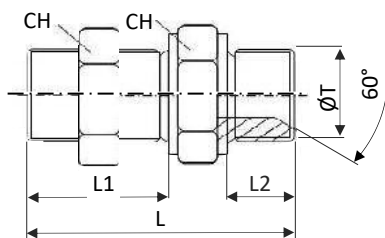
PH1107 NIPPLO ISO 8434-6 ACCIAIO ZINCATO MASCHIO\MASCHIO BSPP CONO 60°
ISO 8434-6 GALVANIZED STEEL MALE\MALE FITTING BSPP WITH 60° INNER CONE



Codice-Code	CH	L	L1	L2	ØT	ØT1	max Bar	
PH1107-M10	14	24	8	8	M10x1	M10x1	400	10
PH1107-M16	22	32	12	11	M16x1.5	M16x1.5	400	10
* PH1107-G18	14	24	8	8	G1/8"	G1/8"	400	10
PH1107-G14-M14	19	29	11	11	G1/4"	M14x1.5	400	10
PH1107-G14-M16	22	29	11	11	G1/4"	M16x1.5	400	10
PH1107-G14-G18	19	26	11	8	G1/4"	G1/8"	400	10
* PH1107-G14	19	32	11	11	G1/4"	G1/4"	400	10
PH1107-G38-M12	22	32	12	11	G3/8"	M12x1.5	400	10
PH1107-G38-M18	24	33.5	12	12	G3/8"	M18x1.5	400	10
PH1107-G38-G18	22	33.5	12	8	G3/8"	G1/8"	400	10
PH1107-G38-G14	22	32	12	11	G3/8"	G1/4"	400	10
* PH1107-G38	22	35	12	12	G3/8"	G3/8"	400	10
PH1107-G12-G14	27	37	14	11	G1/2"	G1/4"	350	5
PH1107-G12-G38	27	38	14	12	G1/2"	G3/8"	350	5
PH1107-G12-M18	27	35	14	12	G1/2"	M18x1.5	350	5
PH1107-G12-M22	27	38	14	14	G1/2"	M22x1.5	350	5
* PH1107-G12	27	41	14	14	G1/2"	G1/2"	350	5
PH1107-G34-M26	32	43.5	16	16	G3/4"	M26x1.5	315	5
PH1107-G34-G38	32	40	16	12	G3/4"	G3/8"	315	5
PH1107-G34-G12	32	43.5	16	14	G3/4"	G1/2"	315	5
* PH1107-G34	32	47	16	16	G3/4"	G3/4"	315	1
PH1107-G1-G12	41	46.5	19	15	G1"	G1/2"	250	1
PH1107-G1-G34	41	48	19	16	G1"	G3/4"	250	1
* PH1107-G1	41	53	19	19	G1"	G1"	250	1
* PH1107-G114	50	56	20	20	G1"1/4	G1"1/4	200	1
* PH1107-G112	55	60	23	23	G1"1/2	G1"1/2	200	1

* Per la versione Inox sostituire al codice PH1107 con PC2307 – For
Stainless steel version replace PH1107 with PC2307 on order code

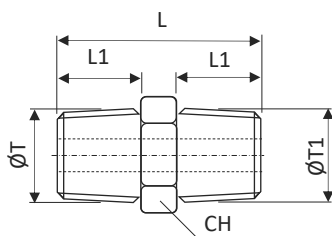
PH1121 PASSAPARETE MASCHIO-MASCHIO BSPP CONO 60° IN ACCIAIO ZINCATO
GALVANIZED STEEL BULKHEAD STRAIGHT UNION WITH BSPP THREAD 60° INNER CONE



Codice-Code	CH	F	L	L1	ØT	max Bar	
* PH1121-G14	19	6	49	9	G1/4"	250	10
* PH1121-G38	22	8	54	9	G3/8"		10
* PH1121-G12	27	11	60.5	12	G1/2"	200	5
* PH1121-G34	32	16	66	15	G3/4"		5
* PH1121-G1	41	22	75	15	G1"	160	1
* PH1121-G114	50	28.5	81	16	G1"1/4	120	1
* PH1121-G112	55	33	88	17	G1"1/2	89	1

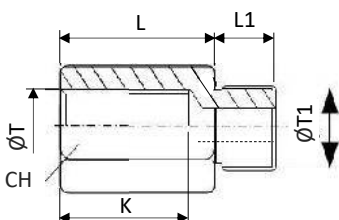
* Per la versione Inox sostituire al codice PH1121 con PC2321 – For Stainless steel version replace PH1121 with PC2321 on order code

PC2209 NIPPO IN OTTONE NICHELATO MASCHIO\MASCHIO CON FILETTO CONICO BSPT
NIKEL PLATED MALE\MALE FITTING WITH BSPT CONICAL THREAD



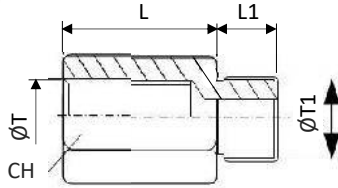
Codice-Code	CH	K	L	L2	ØT	ØT1	max Bar	
PC2209-R18	12	-	19	7.5	R1/8"	R1/8"	18	25
PC2209-R14-R18	14	-	23	7.5	R1/4"	R1/8"		25
PC2209-R14	14	-	26.5	11	R1/4"	R1/4"	18	25
PC2209-R38-R18	17	-	23.5	7.5	R3/8"	R1/8"		25
PC2209-R38-R14	17	-	26.5	10.5	R3/8"	R1/4"	18	20
PC2209-R38	17	-	27	11	R3/8"	R3/8"		25
PC2209-R12-R14	22	-	28.5	10.5	R1/2"	R1/4"	18	15
PC2209-R12-R38	22	-	28.5	10.5	R1/2"	R3/8"		15
PC2209-R12	22	-	30.5	12.5	R1/2"	R1/2"	18	20
PC2209-R34-R12	27	-	32.5	12.5	R3/4"	R1/2"		15
PC2209-R34	27	-	34.5	14	R3/4"	R3/4"	18	15
PC2209-R1-R34	34	-	35.5	13	R1"	R3/4"		15
PC2209-R1	34	-	37	16.5	R1"	R1"	15	

PC2222 MAGGIORAZIONE OTTONE NICHELATO MASCHIO\FEMMINA FILETTO BSPP
NIKEL PLATED ENLARGER MALE\FEMALE BSPP THREAD



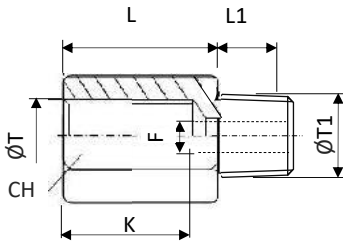
Codice-Code	CH	K	L	L1	ØT	ØT1	max Bar	
PC2222-M5-M5	8	5	11	4.5	M5	M5	18	10
PC2222-G18-M5	14	7	16	5	G1/8"	M5		
PC2222-G18-M6	14	7	17	6	G1/8"	M6	18	10
PC2222-G18-G18	14	8	17.5	6.5	G1/8"	G1/8"		
PC2222-G14-G18	17	10.5	20	6.5	G1/4"	G1/8"	18	10
PC2222-G38-G18	22	10.5	20.5	6.5	G3/8"	G1/8"		
PC2222-G14-G14	17	10.5	21.5	8	G1/4"	G1/4"	18	10
PC2222-G38-G14	22	12.5	23	9	G3/8"	G1/4"		
PC2222-G12-G14	27	10.5	26	9	G1/2"	G1/4"	18	10
PC2222-G38-G38	22	12.5	23	9	G3/8"	G3/8"		
PC2222-G12-G38	27	12.5	26	9	G1/2"	G3/8"	18	10
PC2222-G34-G38	32	12.5	26	9	G3/4"	G3/8"		
PC2222-G12-G12	27	12.5	26.5	10.5	G1/2"	G1/2"	18	10
PC2222-G34-G12	32	12.5	27.5	10.5	G3/4"	G1/2"		
PC2222-G1-G12	38	12.5	29	11	G1"	G1/2"	18	10
PC2222-G34-G34	32	12.5	27.5	10.5	G3/4"	G3/4"		
PC2222-G1-G34	38	12.5	29	11	G1"	G3/4"	18	10
PC2222-G1-G1	38	12.5	31	13	G1"	G1"		

PH1122 MAGGIORAZIONE ISO 8434-6 ACCIAIO ZINCATOMASCHIO\FEMMINA FILETTO BSPP
ISO 8434-6 GALVANIZED STEEL ENLARGER MALE\FEMALE BSPP THREAD



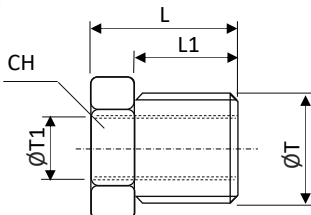
Codice-Code	CH	K	L	L1	ØT	ØT1	max Bar	
PH1122-G18-G14	19	-	23	8	G1/4"	G1/8"	400	5
PH1122-G18-G38	24	-	24	8	G3/8"	G1/8"	400	5
PH1122-G14-G38	24	-	24	12	G3/8"	G1/4"	400	5
PH1122-G14-G12	30	-	28	12	G1/2"	G1/4"	400	5
PH1122-G38-G12	30	-	29	12	G1/2"	G3/8"	400	5
PH1122-G38-G34	36	-	32	12	G3/4"	G3/8"	315	1
PH1122-G12-G34	36	-	32	14	G3/4"	G1/2"	315	1
PH1122-G12-G1	41	-	32	14	G1/2"	G1"	315	1
PH1122-G34-G1	41	-	35	16	G3/4"	G1"	315	1
PH1122-G1-G114	50	-	26	16	G1"	G1"1/4	315	1
PH1122-G1-G112	55	-	34	21	G1"	G1"1/2	315	1

PC2220 MAGGIORAZIONE OTTONE NICHELATO MASCHIO\FEMMINA FILETTO CONICO BSPT
NIKEL PLATED ENLARGER MALE\FEMALE BSPT CONICAL THREAD



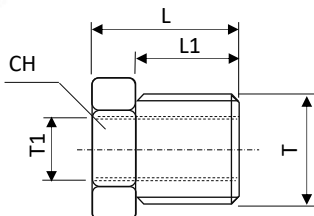
Codice-Code	CH	K	L	L1	ØT	ØT1	max Bar	
PC2220-G14-R18	17	10.5	21	13.5	G1/4"	R1/8"	18	10
PC2220-G38-R18	22	10.5	21.5	14	G3/8"	R1/8"		10
PC2220-G38-R14	22	10.5	24.5	14	G3/8"	R1/4"		10
PC2220-G12-R14	27	12.5	27.5	17	G1/2"	R1/4"		10
PC2220-G12-R38	27	12.5	27.5	17	G1/2"	R3/8"		5
PC2220-G34-R38	32	12.5	28	17	G3/4"	R3/8"		5
PC2220-G34-R12	32	12.5	29.5	17	G3/4"	R1/2"	5	
PC2220-G1-R12	38	12.5	31	18	G1"	R1/2"	1	
PC2220-G1-R34	38	12.5	31	18	G1"	R3/4"	1	

PC2225 RIDUZIONE OTTONE NICHELATO MASCHIO CONICO BSPT \ FEMMINA FILETTO BSPP
NIKEL PLATED REDUCER CONICAL BSPT MALE THREAD \ FEMALE BSPP THREAD



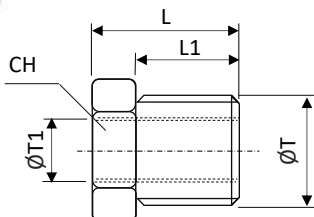
Codice-Code	CH	L	L1	L2	ØT	ØT1	max Bar	
PC2225-R14-G18	14	15.5	6.5	9	R1/4"	G1/8"	18	10
PC2225-R38-G18	17	15.5	8	9	R3/8"	G1/8"		
PC2225-R38-G14	17	15.5	9	11	R3/8"	G1/4"		
PC2225-R12-G18	22	18	9	10	R1/2"	G1/8"		
PC2225-R12-G14	22	18	10	11.5	R1/2"	G1/4"		
PC2225-R12-G38	22	18	10	11.5	R1/2"	G3/8"		
PC2225-R34-G14	27	20	10	12	R3/4"	G1/4"		
PC2225-R34-G38	27	20	11	12	R3/4"	G3/8"		
PC2225-R34-G12	27	20	11	14	R3/4"	G1/2"		
PC2225-R1-G38	34	21.5	11	13	R1"	G3/8"		
PC2225-R1-G12	34	21.5	13.5	14	R1"	G1/2"		
PC2225-R1-G34	34	21.5	13	14	R1"	G3/4"		

PC2223 RIDUZIONE OTTONE NICHELATO MASCHIO\FEMMINA FILETTO BSPP
NIKEL PLATED REDUCER MALE\FEMALE BSPP THREAD



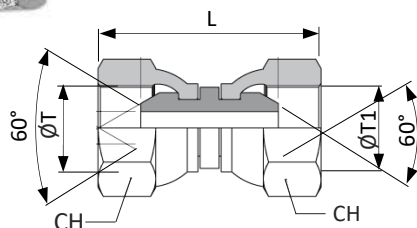
Codice-Code	CH	L	L1	L2	ØT	ØT1	max Bar	
PC2223-G18-M5	14	10.5	6.5	-	G1/8"	M5	18	10
PC2223-G14-G18	17	12.5	8	-	G1/4"	G1/8"		
PC2223-G38-G18	19	14	9	-	G3/8"	G1/8"		
PC2223-G38-G14	19	14	9	-	G3/8"	G1/4"		
PC2223-G12-G18	24	15	10	-	G1/2"	G1/8"		
PC2223-G12-G14	24	15	10	-	G1/2"	G1/4"		
PC2223-G12-G38	24	15	10	-	G1/2"	G3/8"		
PC2223-G34-G14	30	16.5	11	-	G3/4"	G1/4"		
PC2223-G34-G38	30	16.5	11	-	G3/4"	G3/8"		
PC2223-G34-G12	30	16.5	11	-	G3/4"	G1/2"		
PC2223-G1-G38	36	19.5	13.5	-	G1"	G3/8"		
PC2223-G1-G12	36	19	13	-	G1"	G1/2"		
PC2223-G1-G34	36	19	13	-	G1"	G3/4"		
PC2223-G114-G1	43	26	14	-	G1"1/4	G1"		
PC2223-G112-G114	55	35	25	-	G1"1/2	G1"1/4		

PH1123 RIDUZIONE ACCIAIO ZINCATO MASCHIO\FEMMINA FILETTO BSPP
FALVANIZED STEEL REDUCER MALE\FEMALE BSPP THREAD



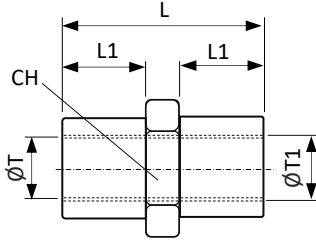
Codice-Code	CH	L	L1	L2	ØT	ØT1	max Bar	
PH1123-G14-G18	19	18.3	11.5	-	G1/4"	G1/8"	200	5
PH1123-G38-G18	22	21	12.5	-	G3/8"	G1/8"	200	
PH1123-G38-G14	22	21	12.5	-	G3/8"	G1/4"	200	
PH1123-G12-G18	27	23	13.5	-	G1/2"	G1/8"	200	
PH1123-G12-G14	27	23	13.5	-	G1/2"	G1/4"	200	
PH1123-G12-G38	27	23	13.5	-	G1/2"	G3/8"	200	
PH1123-G34-G14	32	26	16	-	G3/4"	G1/4"	160	1
PH1123-G34-G38	32	26	16	-	G3/4"	G3/8"	160	
PH1123-G34-G12	32	26	16	-	G3/4"	G1/2"	160	
PH1123-G1-G38	41	31.5	20	-	G1"	G3/8"	140	
PH1123-G1-G12	41	31.5	20	-	G1"	G1/2"	140	
PH1123-G1-G34	41	31.5	20	-	G1"	G3/4"	140	
PH1123-G114-G1	50	33.5	20.5	-	G1"1/4	G1"	120	
PH1123-G112-G1	55	34.5	21.5	-	G1"1/2	G1"	120	
PH1123-G112-G114	55	34.5	21.5	-	G1"1/2	G1"1/4	120	

PH1114 NIPPLO ISO 8434-6 F\F IN ACCIAIO ZINCATO GIREVOLE BSPP CONO 60°
ISO 8434-6 GALVANIZED STEEL F\F BSPP THREAD SWIVEL NIPPLE WITH 60° CONE



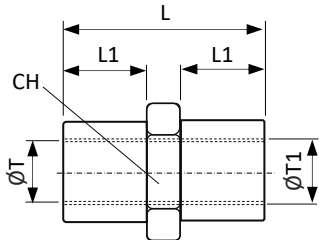
Codice-Code	CH	L	L1	L2	ØT	ØT1	max Bar	
PH1114-G18	15	36	-	-	G1/8"	G1/8"	250	10
PH1114-G14	19	39	-	-	G1/4"	G1/4"	250	10
PH1114-G38	22	46	-	-	G3/8"	G3/8"	250	10
PH1114-G12	27	49	-	-	G1/2"	G3/8"	200	5
PH1114-G34	32	60	-	-	G3/4"	G3/4"	200	5
PH1114-G1	41	65	-	-	G1"	G1"	160	1
PH1114-G114	50	73	-	-	G1"1/4	G1"1/4	160	1
PH1114-G112	55	79	-	-	G1"1/2	G1"1/2	140	1
PH1114-M10	15	36	-	-	M10x1	M10x1	250	10
PH1114-M14	19	38	-	-	M14x1	M14x1	250	10
PH1114-M16	22	43	-	-	M16x1	M16x1	250	5
PH1114-M20	27	46	-	-	M20x1	M20x1	200	5
PH1114-M24	27	50	-	-	M24x1	M24x1	200	1

PC2218 NIPPLO OTTONE NICHELATO FEMMINA\FEMMINA FILETTO BSPP
NIKEL PLATED JUNCTION FEMALE\FEMALE BSPP THREAD



Codice-Code	CH	L	L1	L2	ØT	ØT1	max Bar	
PC2218-M5	8	11	3.5	-	M5	M5	18	20
PC2218-G18	14	15	5	-	G1/8"	G1/8"		20
PC2218-G14-G18	17	12.5	6	-	G1/4"	G1/8"		25
PC2218-G14	17	22	8	-	G1/4"	G1/4"		20
PC2218-G38-G18	22	20	6	-	G3/8"	G1/8"		25
PC2218-G38-G14	22	21	7	-	G3/8"	G1/4"		20
PC2218-G38	22	24	8.5	-	G3/8"	G3/8"		20
PC2218-G12-G14	27	24	8	-	G1/2"	G1/4"		20
PC2218-G12-G38	27	24	8	-	G1/2"	G3/8"		20
PC2218-G12	27	29	10	-	G1/2"	G1/2"		15
PC2218-G34-G38	32	25	8	-	G3/4"	G3/8"		20
PC2218-G34-G12	32	25	8	-	G3/4"	G1/2"		15
PC2218-G34	32	29	10	-	G3/4"	G3/4"		15
PC2218-G1-G12	38	25	8	-	G1"	G1/2"		15
PC2218-G1-G34	38	25	8	-	G1"	G3/4"		15
PC2218-G1	38	31	11	-	G1"	G1"		10

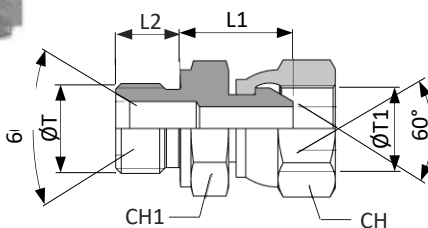
PH1118 NIPPLO ACCIAIO ZINCATO FEMMINA\FEMMINA FILETTO BSPP
GALVANIZED STEEL JUNCTION FEMALE\FEMALE BSPP THREAD



Codice-Code	CH	L	L1	L2	ØT	ØT1	max Bar	
PH1118-G18	14	20	7	-	G1/8"	G1/8"	350	5
PH1118-G14	19	30	12	-	G1/4"	G1/4"	350	5
PH1118-G38-G14	24	30	12	-	G1/4"	G3/8"	250	5
PH1118-G38	24	30	12	-	G3/8"	G3/8"	225	5
PH1118-G12-G14	27	35	12	-	G1/4"	G3/8"	250	5
PH1118-G12-G38	27	35	12	-	G3/8"	G1/2"	250	5
PH1118-G12	27	38	15	-	G1/2"	G1/2"	250	5
PH1118-G34-G12	36	40	15	-	G1/2"	G3/4"	250	5
PH1118-G34	36	40	15	-	G3/4"	G3/4"	225	5
PH1118-G1	27	35	12	-	G1"	G1"	250	5
PH1118-G114	27	38	15	-	G1"1/4	G1"1/4	250	5
PH1118-G112	36	40	15	-	G1"1/2	G1"1/2	250	5

* Per la versione Inox sostituire al codice PH1118 con PC2318 – For Stainless steel version replace PH1118 with PC2318 on order code

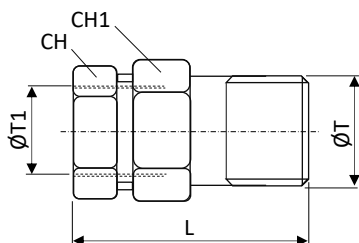
PH1113 NIPPLO ISO 8434-6 ORIENTABILE DRITTO IN ACCIAIO ZINCATO FILETTO M\F BSPP CONO 60°
PH1153 ISO 8434-6 GALVANIZED STEEL M\F BSPP THREAD SWIVEL STRAIGHT NIPPLE WITH 60° CONE
PH1163



Codice-Code	CH	CH1	L1	L2	ØT	ØT1	max Bar	
PH1113-G18	14	14	20	8	G1/8"	G1/8"	400	5
PH1163-G18-G14	14	14	25	8	G1/8"	G1/4"	400	5
PH1113-G14	19	19	25	11	G1/4"	G1/4"	400	5
PH1163-G14-G38	19	22	26	11	G1/4"	G3/8"	400	5
PH1153-G38-G14	22	19	26	12	G3/8"	G1/4"	400	5
PH1113-G38	22	22	27	12	G3/8"	G3/8"	400	5
PH1163-G38-G12	22	27	30	12	G3/8"	G1/2"	350	5
PH1153-G12-G38	27	22	28	14	G1/2"	G3/8"	350	5
PH1113-G12	27	27	30	14	G1/2"	G1/2"	350	5
PH1163-G12-G34	27	32	35	14	G1/2"	G3/4"	315	5
PH1153-G34-G12	32	27	36	16	G3/4"	G1/2"	315	5
PH1113-G34	32	32	37	16	G3/4"	G3/4"	315	1
PH1113-G1	41	41	45	19	G1"	G1"	250	1
PH1113-G114	55	45	55	23	G1"1/4	G1"1/4	200	1
PH1113-G112	65	48	65	25	G1"1/2	G1"1/2	200	1

PC2214

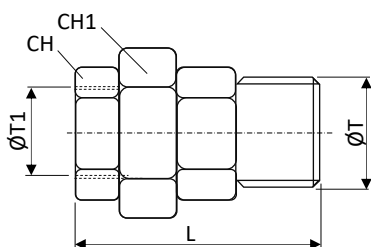
BOCCHETTONE DRITTO FILETTO M BSPT \ F BSPP O-RING FKM
 M BSPT \ F BSPP THREAD SWIVEL STRAIGHT BRASS NIPPLE WITH FKM O-RING



Codice-Code	CH	CH1	L	ØT	ØT1	max Bar	
PC2214-R38-V	-	-	41	G3/8"	G3/8"	25	5
PC2214-R12-V	-	-	44.5	G1/2"	G1/2"	25	5
PC2214-R34-V	-	-	50.3	G3/4"	G3/4"	20	1
PC2214-R1-V	-	-	57.6	G1"	G1"	15	1
PC2214-R114-V	-	-	66.9	G1"1/4	G1"1/4	15	1
PC2214-R112-V	-	-	75	G1"1/2	G1"1/2	10	1

PC2314

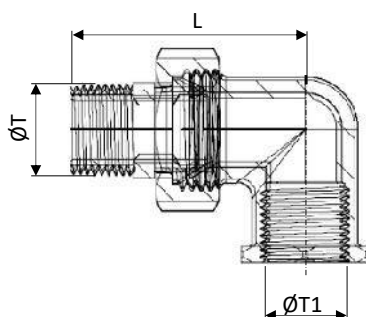
BOCCHETTONE DRITTO FILETTO M BSPT \ F BSPP SENZA GUARNIZIONE
 M BSPT \ F BSPP THREAD SWIVEL STRAIGHT BRASS NIPPLE WITHOUT SEAL



Codice-Code	CH	CH1	L	ØT	ØT1	max Bar	
PC2314-R14	17	30.5	44	G1/4"	G1/4"	30	5
PC2314-R38	20.5	34	47.5	G3/8"	G3/8"	30	5
PC2314-R12	23.8	34.4	47.5	G1/2"	G1/2"	30	5
PC2314-R34	29.2	41.2	51.7	G3/4"	G3/4"	30	1
PC2314-R1	36.5	48.3	60	G1"	G1"	25	1
PC2314-R114	46	60.3	64	G1"1/4	G1"1/4	15	1
PC2314-R112	52	66.5	67.5	G1"1/2	G1"1/2	10	1

PC2275

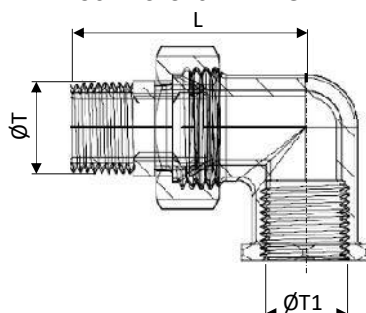
BOCCHETTONE A 90° FILETTO M BSPT \ F BSPP IN OTTONE
 SWIVEL 90° BRASS FITTING MALE BSPT \ FEMALE BSPP



Codice-Code	CH	CH1	L	ØT	ØT1	max Bar	
PC2275-R12	-	-	70.5	R1/2"	G1/2"	25	5
PC2275-R34	-	-	80	R3/4"	G3/4"	20	1
PC2275-R1	-	-	97	R1"	G1"	15	1
PC2275-R114	-	-	101.9	R1"1/4	G1"1/4	15	1
PC2275-R112	-	-	104	R1"1/2	G1"1/2	10	1

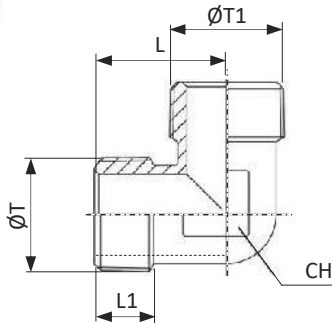
PC2375

BOCCHETTONE A 90° FILETTO M BSPT \ F BSPP AISI 316
 SWIVEL 90° AISI 316 FITTING MALE BSPT \ FEMALE BSPP



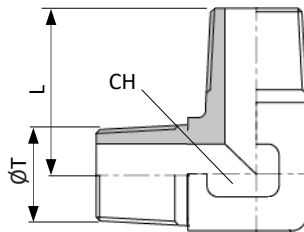
Codice-Code	CH	CH1	L	ØT	ØT1	max Bar	
PC2375-R12	-	-	46	R1/2"	G1/2"	30	5
PC2375-R34	-	-	53	R3/4"	G3/4"	30	1
PC2375-R1	-	-	56	R1"	G1"	25	1
PC2375-R114	-	-	67	R1"1/4	G1"1/4	15	1
PC2375-R112	-	-	70	R1"1/2	G1"1/2	10	1

PC2210 GOMITO IN OTTONE NICHELATO FILETTO MASCHIO CONICO BSPT
NIKEL PLATED BRASS ELBOW CONICAL BSPT MALE THREAD



Codice-Code	CH	L	L1	ØT	ØT1	max Bar	
PC2210-M5	8	13.5	5	M5	M5	18	25
PC2210-R18	10	18.5	9	R1/8"	R1/8"		25
PC2210-R14	13	22	11.5	R1/4"	R1/4"		25
PC2210-R38	17	26	13	R3/8"	R3/8"		20
PC2210-R12	21	28.5	14	R1/2"	R1/2"		15
PC2210-R34	25	33	16	R3/4"	R3/4"		15
PC2210-R1	30	39	17	R1"	R1"		15

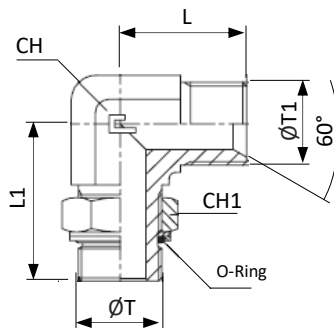
PH1110 GOMITO IN ACCIAIO ZINCATO FILETTO MASCHIO CONICO BSPT
GALVANIZED STEEL ELBOW CONICAL BSPT MALE THREAD



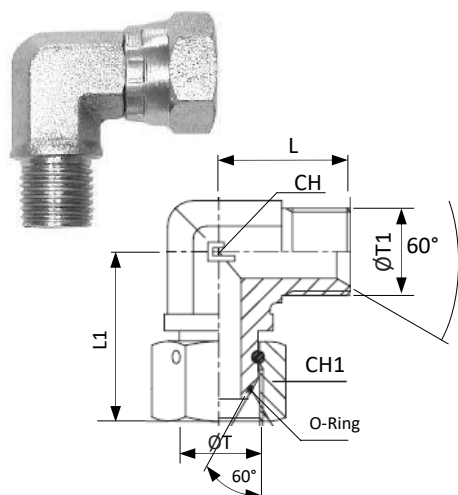
Codice-Code	CH	L	L1	ØT	ØT1	max Bar	
* PH1110-R18	11	20	-	R1/8"	R1/8"	350	10
* PH1110-R14	14	28	-	R1/4"	R1/4"	350	10
* PH1110-R38	19	31	-	R3/8"	R3/8"	250	10
* PH1110-R12	22	37.5	-	R1/2"	R1/2"	225	5
* PH1110-R34	27	40	-	R3/4"	R3/4"	200	5
* PH1110-R1	33	50	-	R1"	R1"	160	5

* Per la versione Inox sostituire al codice PH1110 con PC2310 –
For Stainless steel version replace PH1110 with PC2310 on order code

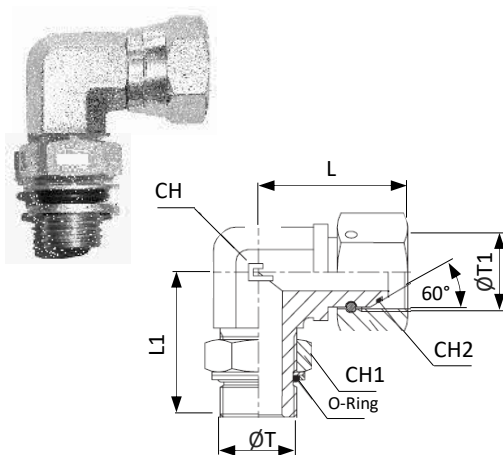
PH1137 GOMITO ISO 8434-6 ACCIAIO ZINCATO FILETTO MASCHIO BSPP CON UN LATO ORIENTABILE
ISO 8434-6 GALVANIZED STEEL ELBOW BSPP MALE THREAD WITH ONE SWIVEL SIDE



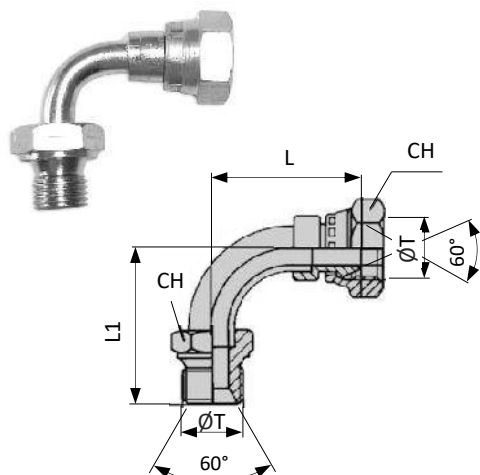
Codice-Code	CH	L	L1	ØT	ØT1	max Bar	
PH1137-G18	11	21	26	G1/8"	G1/8"	350	5
PH1137-G14	14	26	32	G1/4"	G1/4"	315	5
PH1137-G38	19	29	37	G3/8"	G3/8"	250	5
PH1137-G12	22	34	43	G1/2"	G1/2"	250	5
PH1137-G34	27	41	59	G3/4"	G3/4"	250	5
PH1137-G1	33	45	52	G1"	G1"	200	5

PH1143 GOMITO ISO 8434-6 ACCIAIO ZINCATO FILETTO MASCHIO BSPP E FEMMINA ORIENTABILE FIL. BSPP
 ISO 8434-6 GALVANIZED STEEL ELBOW BSPP MALE THREAD AND SWIVEL BSPP FEMALE THREAD


Codice-Code	CH	CH1	CH2	L	L1	ØT	ØT1	max Bar	
PH1143-G18-G18	11	14	-	21	25	G1/8"	G1/8"	400	5
PH1143-G14-G14	14	19	-	26	33	G1/4"	G1/4"	400	5
PH1143-G38-G38	19	22	-	29	37	G3/8"	G3/8"	400	5
PH1143-G12-G12	22	30	-	34	43	G1/2"	G1/2"	400	5
PH1143-G34-G34	27	32	-	41	53.5	G3/4"	G3/4"	315	5
PH1143-G1-G1	33	41	-	45	60.5	G1"	G1"	250	5
PH1143-G114-G114	46	50	-	52	60	G1"1/4	G1"1/4	315	5
PH1143-G112-G112	50	55	-	60	68	G1"1/2	G1"1/2	250	5

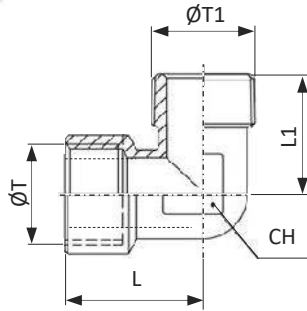
PH1147 GOMITO ISO 8434-6 ACCIAIO ZINCATO MASCHIO-FEMMINA ORIENTABILI FILETTO BSPP
 ISO 8434-6 GALVANIZED STEEL SWIVEL MALE-FEMALE ELBOW BSPP THREAD


Codice-Code	CH	CH1	CH2	L	L1	ØT	ØT1	max Bar	
PH1147-G14	14	19	19	33	32	G1/4"	G1/4"	315	5
PH1147-G38	19	22	22	37	37	G3/8"	G3/8"	250	5
PH1147-G12	22	30	27	43	43	G1/2"	G1/2"	250	5
PH1147-G34	27	36	32	53.5	49	G3/4"	G3/4"	250	5
PH1147-G1	33	36	41	60.5	50	G1"	G1"	250	5

PH1142 CURVA ISO 8434-6 FILETTO BSPP MASCHIO FISSO E FEMMINA ORIENTABILE
 ISO 8434-6 90° BSPP THREAD ELBOW FIXED MALE AND SWIVEL FEMALE


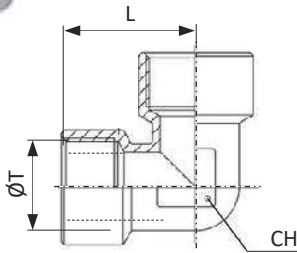
Codice-Code	CH	CH1	CH2	L	L1	ØT	ØT1	max Bar	
PH1142-G18	14	14	-	31	34	G1/8"	G1/8"	160	5
PH1142-G14	19	19	-	31	39	G1/4"	G1/4"	160	5
PH1142-G38	22	22	-	41	46	G3/8"	G3/8"	160	5
PH1142-G12	27	27	-	48	60	G1/2"	G1/2"	160	5
PH1142-G34	32	32	-	66	81	G3/4"	G3/4"	140	1
PH1142-G1	38	38	-	80	90	G1"	G1"	140	1
PH1142-G114	50	50	-	90	115	G1"1/4	G1"1/4	120	1
PH1142-G112	55	55	-	116	129	G1"1/2	G1"1/2	120	1

PC2211 GOMITO IN OTTONE NICHELATO FILETTO MASCHIO CONICO BSPT – FEMMINA CILINDRICA BSPP
NIKEL PLATED BRASS ELBOW BSPT CONICAL MALE THREAD – BSPP FEMALE THREAD



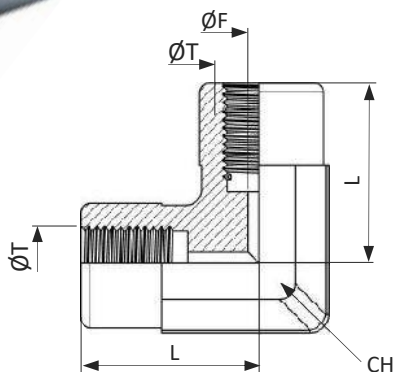
Codice-Code	CH	L	L1	ØT	ØT1	max Bar	
PC2211-M005	8	11	5	M5	M5	18	25
PC2211-R18-G18	10	19.5	9.5	R1/8"	G1/8"		25
PC2211-R14-G14	13	25	11.5	R1/4"	G1/4"		25
PC2211-R38-G38	17	27.5	13	R3/8"	G3/8"		20
PC2211-R12-G12	21	33.5	15	R1/2"	G1/2"		15
PC2211-R34-G34	25	36.5	16	R3/4"	G3/4"		15
PC2211-R1-G1	30	45	17	R1"	G1"		5
PC2211-R114-G114	-	41	55	R1"1/4	G1"1/4		1
PC2211-R112-G112	-	47	63	R1"1/2	G1"1/2		1

PC2212 GOMITO IN OTTONE NICHELATO FILETTO FEMMINA CILINDRICO BSPP
NIKEL PLATED BRASS ELBOW BSPT BSPP FEMALE THREAD



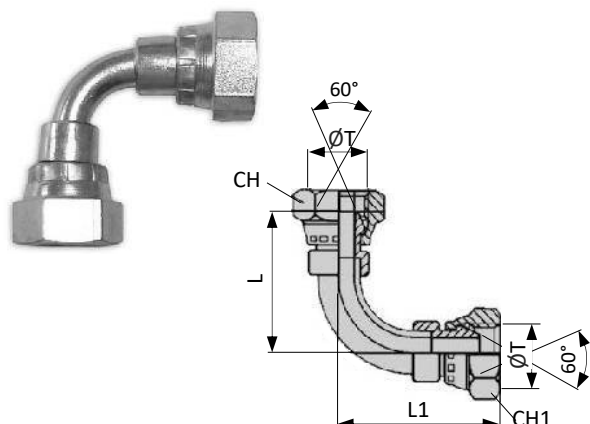
Codice-Code	CH	L	L1	ØT	ØT1	max Bar	
PC2212-M005	8	13.5	-	M5	-	18	20
PC2212-G18	10	18.5	-	G1/8"	G1/8"		20
PC2212-G14	13	22	-	G1/4"	G1/4"		20
PC2212-G38	17	26	-	G3/8"	G3/8"		20
PC2212-G12	21	28.5	-	G1/2"	G1/2"		15
PC2212-G34	25	33	-	G3/4"	G3/4"		15
PC2212-G1	30	39	-	G1"	G1"		10

PH1136 GOMITO IN ACCIAIO ZINCATO FILETTO FEMMINA CILINDRICO BSPP
GALVANIZED STEEL ELBOW BSPP FEMALE THREAD



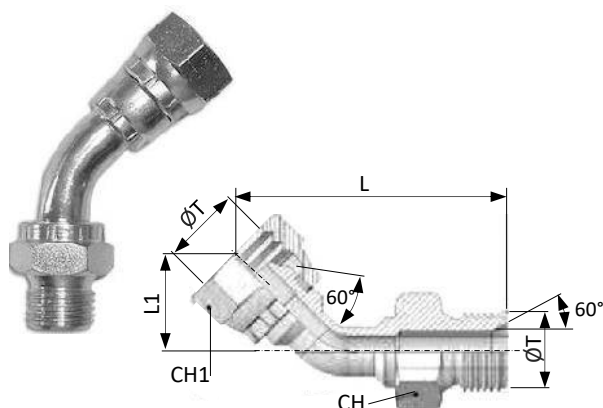
Codice-Code	CH	F	L	L1	T	max Bar	
PH1136-G18	14	8,7	17	-	G1/8"	400	10
PH1136-G14	17	8	26	-	G1/4"	400	10
PH1136-G38	19	12	30	-	G3/8"	350	10
PH1136-G12	24	17.5	35	-	G1/2"	300	10
PH1136-G34	27	16	42	-	G3/4"	300	10
PH1136-G1	36	25	47	-	G1"	300	10
PH1136-G114	48	39.3	43	-	G1"1/4	300	10

PH1116 RACCORDO ISO 8434-6 90° IN ACCIAIO ZINCATO FILETTO BSPP FEMMINA-FEMMINA ORIENTABILI
 ISO 8434-6 GALVANIZED STEEL 90° BSPP THREAD ELBOW SWIVEL FEMALE



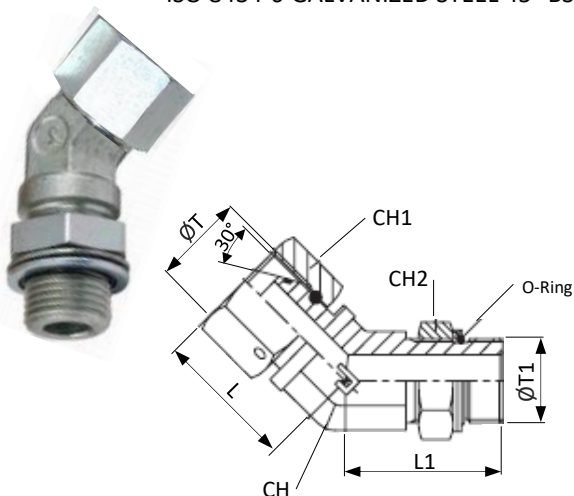
Codice-Code	CH	CH1	L	L1	ØT	ØT1	max Bar	
PH1116-G18	15	15	32	32	G1/8"	-	25	5
PH1116-G14	19	19	36	36	G1/4"	-	25	5
PH1116-G38	22	22	41	41	G3/8"	-	25	5
PH1116-G12	27	27	48	48	G1/2"	-	20	5
PH1116-G34	32	32	66	66	G3/4"	-	20	1
PH1116-G1	41	41	80	80	G1"	-	15	1
PH1116-G114	50	50	100	100	G1"1/4	-	15	1
PH1116-G112	55	55	108	108	G1"1/2	-	15	1

PH1148 RACC. ISO 8434-6 45° IN ACCIAIO ZINCATO FIL. BSPP MASCHIO FISSO E FEMMINA ORIENTABILE
 ISO 8434-6 GALVANIZED STEEL 45° BSPP THREAD ELBOW FIXED MALE AND SWIVEL FEMALE



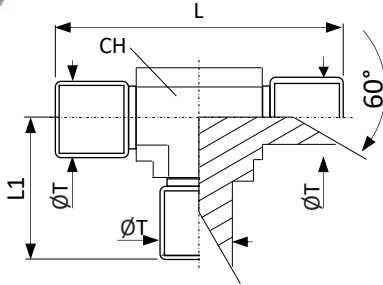
Codice-Code	CH	CH1	L	L1	ØT	ØT1	max Bar	
PH1148-G18	15	15	16	53	G1/8"	-	250	5
PH1148-G14	19	19	14	58	G1/4"	-	250	5
PH1148-G38	22	22	18	72	G3/8"	-	250	5
PH1148-G12	27	27	22	90	G1/2"	-	225	5
PH1148-G34	32	32	28	98	G3/4"	-	200	1
PH1148-G1	41	41	32	94	G1"	-	180	1
PH1148-G114	50	50	50	115	G1"1/4	-	140	1
PH1148-G112	55	55	52	123	G1"1/2	-	140	1

PH1141 RACCORDO ISO 8434-6 45° IN ACCIAIO ZINCATO FILETTO MASCHIO E FEMMINA BSPP ORIENTABILI
 ISO 8434-6 GALVANIZED STEEL 45° BSPP THREAD ELBOW SWIVEL MALE AND FEMALE



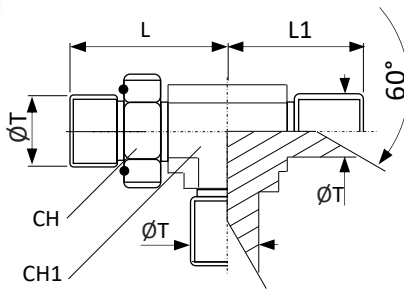
Codice-Code	CH	CH1	CH2	L	L1	ØT	max Bar	
PH1141-G18	11	14	14	23	26	G1/8"	400	5
PH1141-G14	14	19	19	25	29	G1/4"	400	5
PH1141-G38	19	22	22	29	33	G3/8"	400	5
PH1141-G12	22	30	27	32	38.5	G1/2"	400	5
PH1141-G34	27	36	32	41.5	44	G3/4"	315	5
PH1141-G1	33	36	41	45	47	G1"	250	5

PH1138 RACCORDO ISO 8434-6 A "T" IN ACCIAIO ZINCATO FILETTO MASCHIO BSPP
ISO 8434-6 GALVANIZED STEEL MALE TEE BSPP THREAD



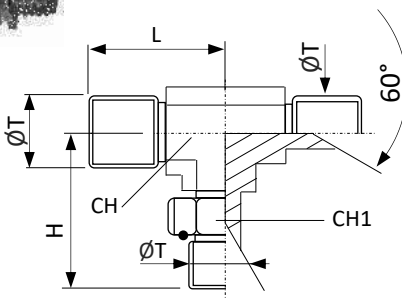
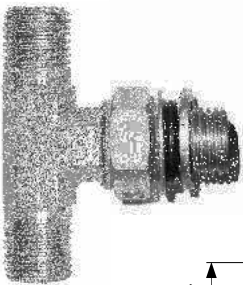
Codice-Code	CH	CH1	L	L1	ØT	max Bar	
PH1138-G18	11	-	42	-	G1/8"	400	5
PH1138-G14	14	-	52	-	G1/4"	400	5
PH1138-G38	19	-	58	-	G3/8"	400	5
PH1138-G12	22	-	68	-	G1/2"	350	5
PH1138-G34	27	-	82	-	G3/4"	315	1
PH1138-G1	33	-	90	-	G1"	250	1
PH1138-G114	41	-	104	-	G1"1/4	250	1
PH1138-G112	48	-	118	-	G1"1/2	200	1

PH1139 RACCORDO ISO 8434-6 A "T" IN ACCIAIO ZINCATO FILETTO MASCHIO BSPP CON LATO ORIENTABILE
ISO 8434-6 GALVANIZED STEEL MALE TEE BSPP THREAD WITH SWIVEL SIDE

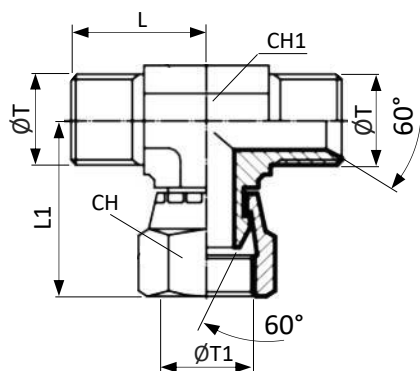
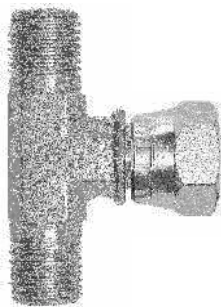


Codice-Code	CH	CH1	L	L1	ØT	max Bar	
PH1139-G18	11	11	26	21	G1/8"	350	5
PH1139-G14	14	14	32	26	G1/4"	315	5
PH1139-G38	19	19	37	29	G3/8"	250	5
PH1139-G12	22	30	43	34	G1/2"	250	5
PH1139-G34	27	36	49	41	G3/4"	250	1
PH1139-G10	33	41	52	45	G1"	200	1
PH1139-G114	41	50	58	52	G1"1/4	250	1
PH1139-G112	48	55	60	59	G1"1/2	200	1

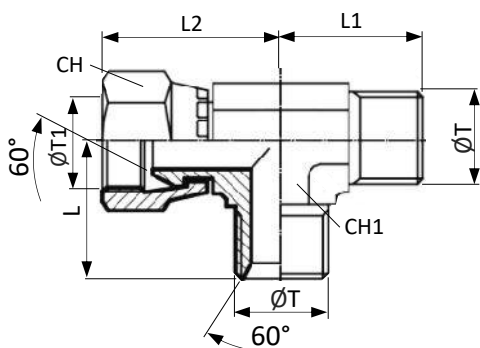
PH1140 RACCORDO ISO 8434-6 A "T" IN ACCIAIO ZINCATO FILETTO MASCHIO BSPP CON BASE ORIENTABILE
ISO 8434-6 GALVANIZED STEEL MALE TEE BSPP THREAD WITH SWIVEL BASE



Codice-Code	CH	CH1	H	L	ØT	max Bar	
PH1140-G18	11	14	26	21	G1/8"	350	5
PH1140-G14	14	19	32	26	G1/4"	315	5
PH1140-G38	19	22	37	29	G3/8"	250	5
PH1140-G12	22	30	43	34	G1/2"	250	5
PH1140-G34	27	36	49	41	G3/4"	250	1
PH1140-G1	33	41	52	45	G1"	200	1
PH1140-G114	41	50	58	52	G1"1/4	250	1
PH1140-G112	48	55	60	59	G1"1/2	200	1

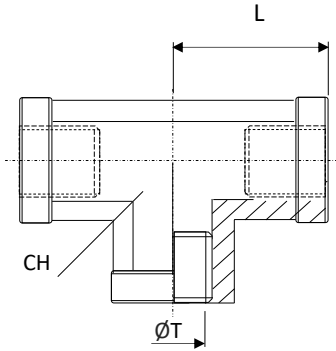
PH1144 RACCORDO ISO 8434-6 A "T" IN ACCIAIO ZINC. FIL. MASCHIO BSPP CON BASE ORIENTABILE FEMMINA ISO 8434-6 GALVANIZED STEEL MALE TEE BSPP THREAD WITH FEMALE SWIVEL BASE


Codice-Code	CH	CH1	H	L	L1	ØT	ØT1	max Bar	
PH1144-G18	14	11	25	21	-	G1/8"	G1/8"	250	5
PH1144-G14	19	14	33	26	-	G1/4"	G1/4"	250	5
PH1144-G38	22	19	37	29	-	G3/8"	G3/8"	250	5
PH1144-G12	27	22	43	34	-	G1/2"	G1/2"	200	2
PH1144-G34	32	27	53.5	41	-	G3/4"	G3/4"	160	1
PH1144-G1	41	33	60.5	45	-	G1"	G1"	140	1
PH1144-G114	50	41	72.5	52	-	G1"1/4	G1"1/4	120	1
PH1144-G112	55	18	91	59	-	G1"1/2	G1"1/2	120	1

PH1124 RACCORDO ISO 8434-6 A "T" IN ACCIAIO ZINC. FIL. MASCHIO CON LATO FEMMINA GIREVOLE BSPP ISO 8434-6 GALVANIZED STEEL MALE TEE BSPP THREAD, ONE SIDE WITH SWIVEL FEMALE THREAD


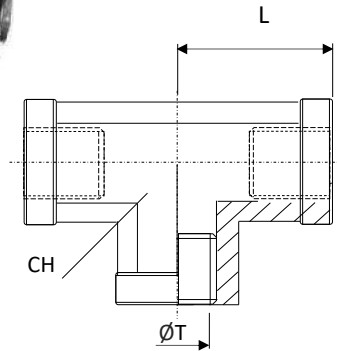
Codice-Code	CH	CH1	L	L1	L2	ØT	ØT1	max Bar	
PH1124-G18	14	11	21	20	26	G1/8"	G1/8"	250	5
PH1124-G14	19	14	26	27	32	G1/4"	G1/4"	250	5
PH1124-G38	22	19	29	30	36	G3/8"	G3/8"	250	5
PH1124-G12	27	22	34	37	40	G1/2"	G1/2"	200	2
PH1124-G34	32	27	41	40	54.5	G3/4"	G3/4"	160	2
PH1124-G1	41	33	45	50	55.5	G1"	G1"	140	1
PH1124-G114	50	41	57	52	59	G1"1/4	G1"1/4	120	1
PH1124-G112	55	48	49	59	72.5	G1"1/2	G1"1/2	120	1

PC2217 CONNETTORE A "T" FILETTO FEMMINA BSPP
FEMALE TEE BSPP THREAD



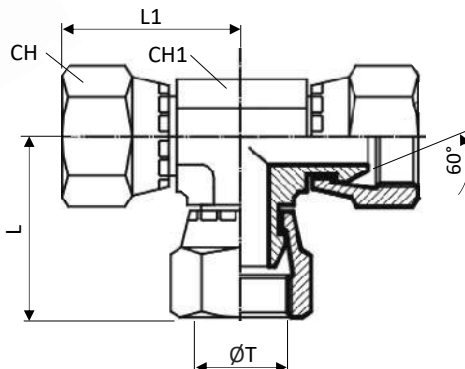
Codice-Code	CH	CH1	L	L1	ØT	max Bar	
PC2217-G18	10	-	20	-	G1/8"	35	5
PC2217-G14	13	-	25	-	G1/4"	35	5
PC2217-G38	17	-	28.5	-	G3/8"	35	5
PC2217-G12	21	-	34.3	-	G1/2"	25	5
PC2217-G34	25	-	36.5	-	G3/4"	25	5
PC2217-G1	30	-	45	-	G1"	20	5
PC2217-G114	47	-	42	-	G1"1/4	25	5
PC2217-G112	53	-	47	-	G1"1/2	20	5

PH1128 CONNETTORE A "T" IN ACCIAIO ZINCATO FILETTO FEMMINA BSPP
GALVANIZED STEEL FEMALE TEE BSPP THREAD



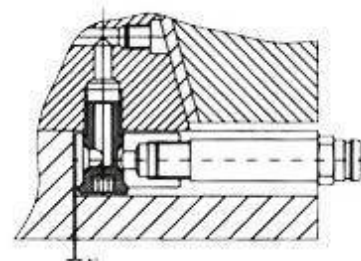
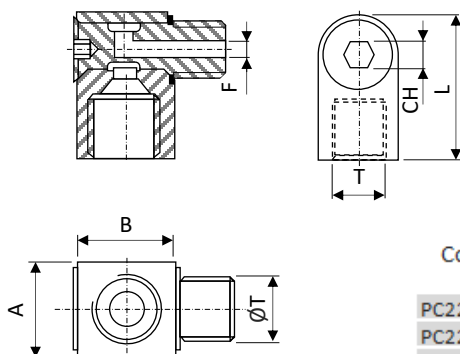
Codice-Code	CH	CH1	CH	L	ØT	max Bar	
PH1128-G18	14	-	-	17	G1/8"	400	5
PH1128-G14	19	-	-	22.5	G1/4"	400	5
PH1128-G38	22	-	-	26	G3/8"	400	5
PH1128-G12	27	-	-	31	G1/2"	400	5
PH1128-G34	33	-	-	34.5	G3/4"	400	5
PH1128-G1	41	-	-	41	G1"	315	5

PH1117 CONNETTORE A "T" IN ACCIAIO ZINCATO FILETTO FEMMINA GIREVOLE BSPP
GALVANIZED STEEL FEMALE TEE BSPP SWIVEL THREAD



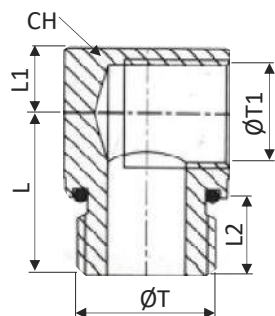
Codice-Code	CH	CH1	L	L1	ØT	max Bar	
PH1117-G18	14	11	25	25	G1/8"	250	5
PH1117-G14	19	14	29	29	G1/4"	250	5
PH1117-G38	22	19	34	34	G3/8"	250	5
PH1117-G12	27	22	40	40	G1/2"	200	2
PH1117-G34	32	27	42.5	45.5	G3/4"	160	2
PH1117-G1	41	33	52	52	G1"	140	1
PH1117-G114	50	41	75.5	64	G1"1/4	120	1
PH1117-G112	55	48	91	75.6	G1"1/2	120	1

PC2246 RACCORDO A GOMITO GIREVOLE
SWIVEL CONNECTOR



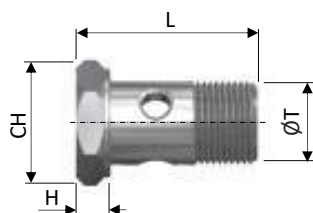
Codice-Code	A	B	CH	L	ØT	ØT1	max Bar	
PC2246-M10	14	14	5	25	M10x1	-		5
PC2246-G18	14	14	5	25	1/8"	-		5
PC2246-G14	19	19	6	36	1/4"	-	15	5
PC2246-G38	25	30	8	35	3/8"	-		5
PC2246-G12	30	30	10	50	1/2"	-		5

PC2271 GOMITO IN OTTONE NICHELATO FILETTO MASCHIO – FEMMINA BSPP
NIKEL PLATED BRASS ELBOW WITH BSPP MALE – FEMALE THREAD



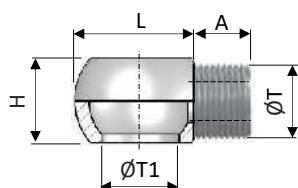
Codice-Code	CH	L	L1	L2	ØT	ØT1	max Bar	
PC2271-G18-G14	15	17	8	9	G1/8"	G1/4"		5
PC2271-G14-G38	20	19	8.5	9	G1/4"	G3/8"	18	5
PC2271-G12-G38	25	25	10	15	G1/2"	G3/8"		5

PC2255 VITE CAVA PER RACCORDO AD OCCHIELLO
BOLT FOR BANJO FITTING



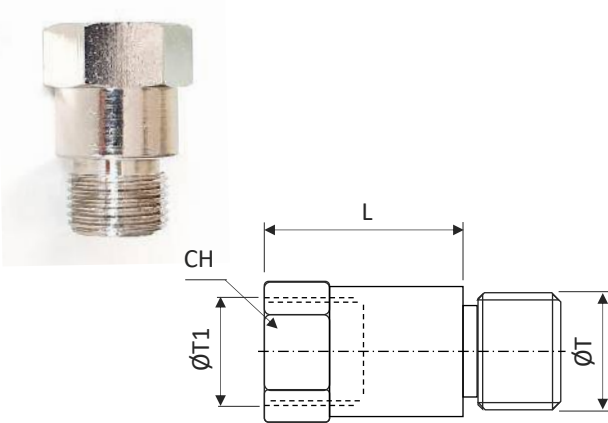
Codice-Code	CH	B	H	L	T	T1	max Bar	
PC2255-G18	14	-	5	26	G1/8"	-	160	5
PC2255-G14	19	-	6	33	G1/4"	-	160	5
PC2255-G38	22	-	7	39	G3/8"	-	150	5
PC2255-G12	27	-	8	46	G1/2"	-	140	1
PC2255-G34	32	-	10	56	G3/4"	-	120	1
PC2255-G1	38	-	12	72	G1"	-	120	1

PC2256 RACCORDO AD OCCHIELLO CON FILETTO MASCHIO BSPP
BANJO FITTING WITH BSPP MALE THREAD



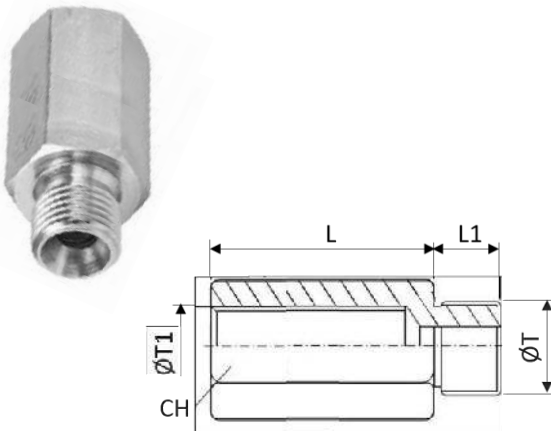
Codice-Code	A	B	H	L	T	T1	max Bar	
PC2256-G18-G18	9.5	-	10	16.5	G1/8"	G1/8"	160	5
PC2256-G14-G14	14	-	14	22	G1/4"	G1/4"	160	5
PC2256-G38-G38	17	-	18	38	G3/8"	G3/8"	150	5
PC2256-G38-G14	14	-	18	38	G3/8"	G1/4"	150	5
PC2256-G12-G12	17	-	22	33	G1/2"	G1/2"	140	1
PC2256-G12-G38	14	-	23	36	G1/2"	G3/8"	140	1
PC2256-G34-G34	-	-	30	-	G3/4"	G3/4"	120	1
PC2256-G100-G1	-	-	38	-	G1"	G1"	120	1

PC2249 PROLUNGA FILETTO MASCHIO-FEMMINA BSPP
BSPP THREAD MALE-FEMALE EXTENTION PLUG



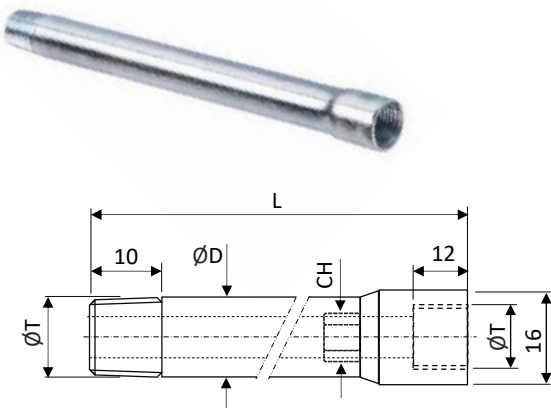
Codice-Code	CH	L	L1	ØT	ØT1	max Bar	
PC2249-G14-020	17	20	-	G1/4"	G1/4"	18	5
PC2249-G14-040	17	40	-	G1/4"	G1/4"		5
PC2249-G38-020	21	20	-	G3/8"	G3/8"		5
PC2249-G38-040	21	40	-	G3/8"	G3/8"		5
PC2249-G12-020	27	20	-	G1/2"	G1/2"		1
PC2249-G12-040	27	40	-	G1/2"	G1/2"		1

PH1150 PROLUNGA ISO 8434-6 IN ACCIAIO ZINCATO MASCHIO-FEMMINA FILETTO BSPP
ISO 8434-6 GALVANIZED STEEL MALE-FEMALE EXTENSION PLUG WITH BSPP THREAD



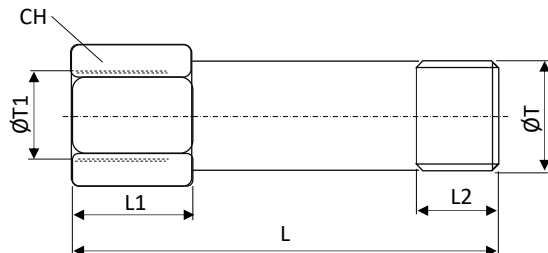
Codice-Code	CH	L	L1	ØT	ØT1	max Bar	
PH1150-G14-021	19	21	11	G1/4"	G1/4"	350	10
PH1150-G14-030	19	30	11	G1/4"	G1/4"	350	10
PH1150-G14-043	19	43	11	G1/4"	G1/4"	350	10
PH1150-G14-048	19	48	11	G1/4"	G1/4"	350	10
PH1150-G38-020	22	20	12	G3/8"	G3/8"	350	10
PH1150-G38-033	22	33	12	G3/8"	G3/8"	350	10
PH1150-G38-038	22	38	12	G3/8"	G3/8"	350	10
PH1150-G38-045	22	45	12	G3/8"	G3/8"	350	10
PH1150-G12-023	27	23	14	G1/2"	G1/2"	350	5
PH1150-G12-046	27	46	14	G1/2"	G1/2"	350	5
PH1150-G12-066	27	66	14	G1/2"	G1/2"	350	5

PC2238 PROLUNGA IN ACCIAIO ZINCATO FILETTO FEMMINA BSPP – MASCHIO CONICO BSPT
GALVANIZED STEEL EXTENSION PLUG WITH FEMALE BSPP AND MALE BSPT CONICAL THREAD



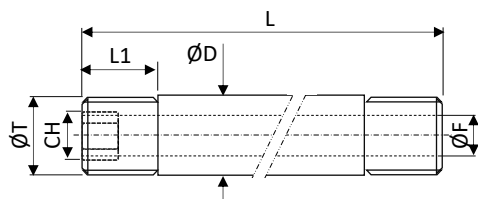
Codice-Code	CH	ØD	ØD1	F	L	ØT	ØT1
PC2238-10-R18-050	6	10		6	50	R1/8"	G1/8"
PC2238-10-R18-075					75		
PC2238-10-R18-100					100		
PC2238-10-R18-125					125		
PC2238-10-R18-150					150		
PC2238-14-R14-025	8	14		8	25	R1/4"	G1/4"
PC2238-14-R14-050					50		
PC2238-14-R14-075					75		
PC2238-14-R14-100					100		
PC2238-14-R14-125					125		
PC2238-14-R14-150					150		
PC2238-14-R14-200					200		
PC2238-14-R14-250					250		

PC2265 PROLUNGA IN OTTONE CON FILETTO M\F BSPP
BRASS EXTENSION PLUG WITH BSPP M\F THREAD



Codice-Code	CH	L	L1	L2	ØT	ØT1
PC2265-G18-G18-060	14	60	12	10	G 1/8"	G 1/8"
PC2265-G18-G18-080		80				
PC2265-G18-G18-100		100				
PC2265-G18-G18-120		120				
PC2265-G18-G18-150		150				
PC2265-G18-G14-100		100				
PC2265-G18-G14-150	150					
PC2265-G18-G38-150	150	G3/8"				
PC2265-G14-G14-060	16	60	12	10	G 1/4"	G 1/4"
PC2265-G14-G14-080		80				
PC2265-G14-G14-100		100				
PC2265-G14-G14-120		120				
PC2265-G14-G14-150		150				
PC2265-G38-G14-100		100				
PC2265-G38-G38-060	19	60	12	10	G 3/8"	G 3/8"
PC2265-G38-G38-080		80				
PC2265-G38-G38-100		100				
PC2265-G38-G38-120		120				
PC2265-G38-G38-150		150				

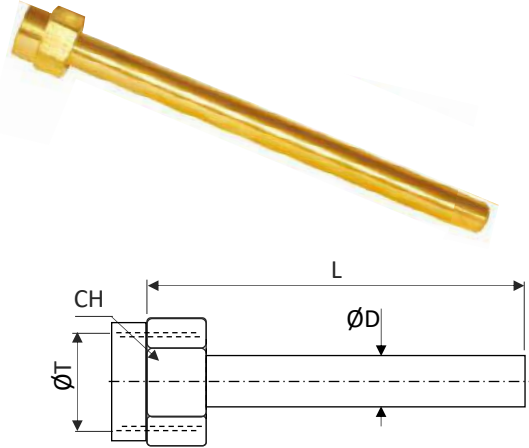
PC2239 PROLUNGA IN ACCIAIO ZINCATO CON FILETTO MASCHIO BSPP (BSPT OLTRE 1/2")
GALVANIZED STEEL EXTENSION PLUG WITH BSPP MALE THREAD (FROM 1/2" BSPT)



Codice-Code	CH	ØD	F	L	L1	ØT
PC2239-09-G18-040	5	9	6	40	12	G 1/8"
PC2239-09-G18-075				75		
PC2239-09-G18-100				100		
PC2239-09-G18-125				125		
PC2239-09-G18-200				200		
PC2239-09-G18-250				250		
PC2239-12-G14-050	7	12	9	50	12	G 1/4"
PC2239-12-G14-075				75		
PC2239-12-G14-100				100		
PC2239-12-G14-125				125		
PC2239-12-G14-150				150		
PC2239-12-G14-200				200		
PC2239-12-G14-250	250					
PC2239-16-G38-075	10	16	13	75	12	G 3/8"
PC2239-16-G38-100				100		
PC2239-16-G38-125				125		
PC2239-16-G38-150				150		
PC2239-16-G38-200				200		
PC2239-16-G38-250				250		
PC2239-22-R12-100	-	22	16	100	-	R 1/2"
PC2239-22-R12-150				150		
PC2239-22-R12-200				200		
PC2239-22-R12-250	250					
PC2239-27-R34-100	-	27	-	100	-	R 3/4"
PC2239-27-R34-150				150		
PC2239-27-R34-200				200		
PC2239-27-R34-250	250					
PC2239-34-R1-100	-	34	-	100	-	R 1"
PC2239-34-R1-150				150		
PC2239-34-R1-200				200		
PC2239-34-R1-250				250		

PROLUNGHE CON PORTAGOMMA A PAG. 115-116
EXTENSIONS WITH HOSE TAIL AT PAG. 115-116

PC2215 PROLUNGA IN OTTONE LISCIA CON FILETTO FEMMINA METRICO
BRASS EXTENSION SMOOTH PLUG WITH METRIC FEMALE THREAD



Codice-Code	CH	ØD	L	L1	ØT	max Bar	
PC2215-10-M14-120	17	10	120	15.5	M14x1.5	18	5
PC2215-10-M14-240	17	10	240	15.5	M14x1.5		5
PC2215-14-M16-150	22	10	150	15.5	M16x1.5		5
PC2215-14-M16-300	22	10	300	15.5	M16x1.5		5
PC2215-21-M24-500	30	14	500	21	M24x1.5		1
PC2215-21-M24-800	30	14	800	21	M24x1.5		1

PH1199 RONDELLA BONDED CON GUARNIZIONE
BONDED RING WITH SEAL



Codice-Code	misura size	ØD	ØD1	tipo O-Ring O-Ring type	H	
PH1199-018-N	1/8"	16	10.4	NBR	2	30
PH1199-018-V	1/8"	16	10.4	FKM	2	15
PH1199-014-N	1/4"	20.5	13.7	NBR	2	30
PH1199-014-V	1/4"	20.5	13.7	FKM	2	15
PH1199-038-N	3/8"	24	17.3	NBR	2	30
PH1199-038-V	3/8"	24	17.3	FKM	2	15
PH1199-012-N	1/2"	28.5	21.5	NBR	2.5	20
PH1199-012-V	1/2"	28.5	21.5	FKM	2.5	10
PH1199-034-N	3/4"	35	27	NBR	2.5	20
PH1199-034-V	3/4"	35	27	FKM	2.5	10
PH1199-100-N	1"	43	33.9	NBR	2.5	5
PH1199-100-V	1"	43	33.9	FKM	2.5	5
PH1199-114-N	1"1/4	52.5	42.9	NBR	2.5	20
PH1199-114-V	1"1/4	52.5	42.9	FKM	2.5	10
PH1199-112-N	1"1/2	58.5	48.4	NBR	2.5	5
PH1199-112-V	1"1/2	58.5	48.4	FKM	2.5	5

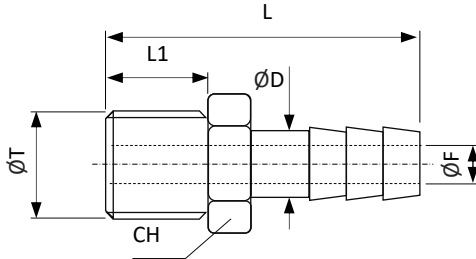
PH1198 RONDELLA RAME
COPPER SEAL



Codice-Code	misura size	ØD	ØD1	tipo O-Ring O-Ring type	H	
PH1198-018	1/8"	16	10	-	1.5	50
PH1198-014	1/4"	19	13.5	-	1.5	50
PH1198-038	3/8"	22	17	-	1.5	50
PH1198-012	1/2"	27	21.5	-	1.5	50
PH1198-034	3/4"	33	27	-	1.5	25
PH1198-100	1"	40	33.5	-	1.5	25
PH1198-114	1"1/4	50	42	-	1.5	10
PH1198-112	1"1/2	55	48	-	1.5	10

136	PC2226 	PC2228 	<p>NOTE TECNICHE: COLORE E MISURE NON FUNZIONALI DEI PRODOTTI FORNITI POTREBBE DIFFERIRE LEGGERMENTE RISPETTO A QUANTO PRESENTATO SUL CATALOGO. FATTO SALVO IL RISPETTO CARATTERISTICHE TECNICHE E FUNZIONALI O NORMATIVE - TECHNICAL NOTES: COLOR AND NON-FUNCTIONAL MEASUREMENTS OF THE PRODUCTS SUPPLIED MAY DIFFER SLIGHTLY FROM WHAT IS PRESENTED IN THE CATALOG, SUBJECT TO COMPLIANCE WITH TECHNICAL AND FUNCTIONAL CHARACTERISTICS OR STANDARD NORMS.</p>	PC2230 	PC2231 	137		
138	PC2259 	PC2233 		PH1001 	PH1004 	139		
140	PH1002 	PC2282 		PC2234 	PC2248 	141		
142	PC2229 			PC2247 	PH1003 	143		
144	PH1006 	PC2261 		PC2235 	PC2237 	145		
146	PC2232 	PC2263 		PC2255 	PC2257 	PC2258 	147	
148	PC2257A 	PC2258A 		PC5102-04 	PC5111-12 	149		
150	PC5105 	PC5113 		PC5101 	PC5110 	151		
152	PC4601 	PC4651 		PC4351 	PC4701 	PH1051 	PH1052 	153
154	PC5801 	PC5901 		PC5902 	PE502 	<p>CRIMPATRICE CRIMPER TAGLIATUBI CUTTING MACHINE</p>		155
156	PE401-01 	PC5810 		PC5801 	PC5802 	PC5803 	PC5911 	157

PC2226 RACCORDO PORTAGOMMA OTTONE FILETTO MASCHIO BSPP
BRASS HOSE TAIL WITH BSPP MALE THREAD

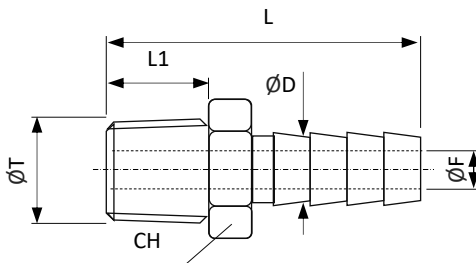


Raccordatura raccomandata – recommended clamping – p. 119-121



Codice-Code	CH	ØD tubo/hose mm	ØF	L	L1	ØT		
PC2226-06-G18	12	6,3	1/4"	4	29.5	6	G1/8"	10
PC2226-06-G14	14				32	8	G1/4"	
PC2226-08-G18	12	8	5/16"	5	29.5	6	G1/8"	25
PC2226-08-G14	14				32	8	G1/4"	
PC2226-08-G38	19				33	9	G3/8"	
PC2226-10-G18	12	9.5	3/8"	7	30.5	6	G1/8"	
PC2226-10-G14	14				33	8	G1/4"	
PC2226-10-G38	19				34	9	G3/8"	
PC2226-10-G12	22				38	10	G1/2"	
PC2226-13-G14	15	12.7	1/2"	9	31	8	G1/4"	10
PC2226-13-G38	19				37	9	G3/8"	
PC2226-13-G12	22				40	10	G1/2"	
PC2226-16-G38	19	16	5/8"	11	52	12	G3/8"	
PC2226-16-G12	23				54	14	G1/2"	
PC2226-16-G34	27				58	14	G3/4"	
PC2226-19-G12	22	19	3/4"	14	46	-	G1/2"	
PC2226-19-G34	27				49	-	G3/4"	
PC2226-19-G1	36				49	-	G1"	
PC2226-25-G34	30	25	1"		56	15	3/4"	5
PC2226-25-G1	36				19.5	49	-	
PC2226-32-G1	36	32	1"1/4	25	56	13	G1"	
PC2226-32-G114	45				58	13	G1"1/4	
PC2226-38-G112	40	38	1"1/2	33.5	68	16	G1"1/2	

PC2228 RACCORDO PORTAGOMMA IN OTTONE NICHELATO FILETTO MASCHIO BSPT
NIKEL PLATED HOSE TAIL WITH BSPT MALE THREAD

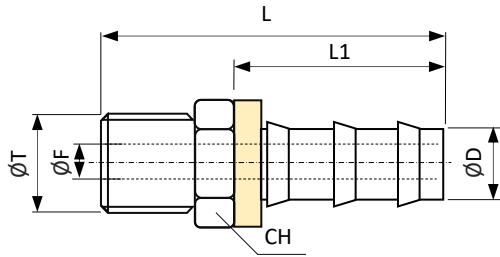


Raccordatura raccomandata – recommended clamping – p. 119-121



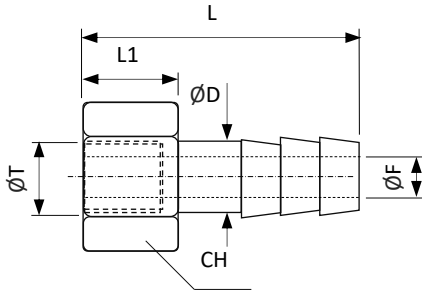
Codice-Code	CH	ØD tubo/hose mm	ØF	L	L1	ØT		
PC2228-06-R18	12	6.3	1/4"	4	31.5	8	R1/8"	25
PC2228-06-R14	14				35	11	R1/4"	
PC2228-08-R18	12	8	5/16"	5	31.5	8	R1/8"	
PC2228-08-R14	14				35	11	R1/4"	
PC2228-10-R18	12	9.5	3/8"	7	32.5	8	R1/8"	
PC2228-10-R14	14				36	11	R1/4"	
PC2228-10-R38	17				36.5	11.5	R3/8"	15
PC2228-12-R14	14	12	5/32"	8	36	11	R1/4"	25
PC2228-12-R38	17				36.5	11.5	R3/8"	
PC2228-12-R12	22				39.5	14	R1/2"	15
PC2228-16-R38	17	16	5/8"	11	38.5	11.5	R3/8"	
PC2228-16-R12	22				41.5	14	R1/2"	
PC2228-16-R34	27				45	16.5	R3/4"	10
PC2228-20-R38	22	20	-	15	41	11.5	R3/8"	15
PC2228-20-R12	22				43.5	14	R1/2"	
PC2228-20-R34	27				46.5	16.5	R3/4"	10

PC2230 RACCORDO PORTAGOMMA IN OTTONE NICHELATO FIL. MASCHIO BSPP PROFILO EASY-LOCK
 NIKEL PLATED BRASS EASY LOCK HOSE TAIL WITH BSPP MALE THREAD



Codice-Code	CH	ØD tubo/hose mm	ØF	L	L1	ØT	
PC2230-06-G18	13	6.3	1/4"	31.5	20	G1/8"	
PC2230-06-G14	17			35		G1/4"	
PC2230-10-G14	17	9.5	3/8"	39.1	24.1	G1/4"	
PC2230-10-G38	22			42.5		G3/8"	
PC2230-13-G38	22	12.7	1/2"	46.5	28	G3/8"	
PC2230-13-G12	27			48.5		G1/2"	
PC2230-16-G12	27	15.9	5/8"	56.5	36.5	G1/2"	
PC2230-16-G34	32			58.5		G3/4"	
PC2230-19-G34	32	19.1	3/4"	65.3	43	G3/4"	
PC2230-25-G1	36	25	1"	69	39	G1"	

PC2231 RACCORDO PORTAGOMMA IN OTTONE NICHELATO FILETTO FEMINA BSPP
 NIKEL PLATED HOSE TAIL WITH BSPP FEMALE THREAD

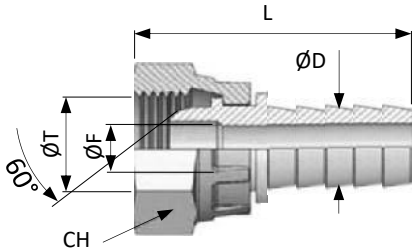


Codice-Code	CH	ØD tubo/hose mm	ØF	L	L1	ØT	
PC2231-06-G18	11	6.3	1/4"	27	10	G1/8"	
PC2231-06-G14	17			33		G1/4"	
PC2231-08-G18	12	8	5/16"	27	13	G1/8"	
PC2231-08-G14	17			33		G1/4"	
PC2231-10-G14	17	9.5	3/8"	36	-	G1/4"	
PC2231-10-G38	19			36		G3/8"	
PC2231-10-G12	24	12.7	1/2"	39	-	G1/2"	
PC2231-13-G14	17			36		G1/4"	
PC2231-13-G38	19	12.7	1/2"	36	-	G3/8"	
PC2231-13-G12	24			39		G1/2"	
PC2231-16-G12	24	16	5/8"	43	-	G1/2"	

Raccordatura raccomandata – recommended clamping – p. 119-121



PC2259 PORTAGOMMA IN ACCIAIO ZINCATO FILETTO FEMMINA BSPP GIREVOLE
GALVANIZED STEEL SWIVEL HOSE TAIL WITH BSPP FEMALE THREAD

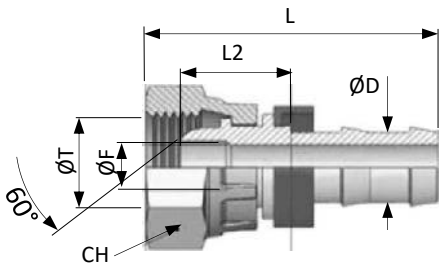


Codice-Code	CH	ØD tubo/hose mm		ØF	L	L1	L2	ØT	🛒
PC2259-06-G18	-	6.3	1/4"	3.5	-	-	-	G1/8"	5
PC2259-06-G14	-	8	5/16"	5	-	-	-	G1/4"	
PC2259-08-G14	-	8	5/16"	6	-	-	-	G1/4"	
PC2259-10-G14	-	9.5	3/8"	7.5	-	-	-	G3/8"	
PC2259-10-G38	-	9.5	3/8"	7.5	-	-	-	G3/8"	
PC2259-13-G38	-	12.7	1/2"	9	-	-	-	G1/2"	5
PC2259-13-G12	-	12.7	1/2"	9	-	-	-	G1/2"	
PC2259-16-G12	-	16	5/8"	11	-	-	-	G1/2"	
PC2259-16-G34	-	16	5/8"	11	-	-	-	G3/4"	
PC2259-19-G34	-	19	3/4"	13	-	-	-	G3/4"	
PC2259-19-G1	-	19	3/4"	15	-	-	-	G1"	1
PC2259-25-G1	-	25	1"	-	-	-	-	G1"	
PC2259-32-G114	-	32	1"1/4"	-	-	-	-	G1"1/4"	
PC2259-38-G112	-	38	1"1/2"	-	-	-	-	G1"1/2"	

Raccordatura raccomandata – recommended clamping – p. 119-121

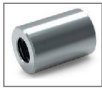
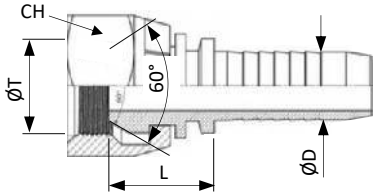


PC2233 PORTAGOMMA IN ACCIAIO ZINCATO PROFILO EASY-LOCK FIL. FEMMINA BSPP GIREVOLE
GALVANIZED STEEL EASY-LOCK HOSE TAIL WITH SWIVEL BSPP FEMALE THREAD



Codice-Code	CH	ØD tubo/hose mm		ØF	L	L1	L2	ØT	🛒
PC2233-06-M14	19	6.3	1/8"	4	37.2	18	13.2	M14x1.5	5
PC2233-06-M16	20	9.5	3/8"	7	44.3	22	14.2	M16x1.5	
PC2233-06-G14	19	6.3	1/8"	4	37.2	18	13.2	G1/4"	
PC2233-10-M16	-	-	-	-	-	-	-	M16x1.5	
PC2233-10-M18	20	9.5	3/8"	7	44.3	22	14.2	M18x1.5	
PC2233-10-G38	-	-	-	-	-	-	-	G3/8"	5
PC2233-13-M22	27	12.7	1/2"	9.5	51.5	29	22.5	M22x1.5	
PC2233-13-G12	27	12.7	1/2"	9.5	51.5	29	22.5	G1/2"	
PC2233-16-M22	-	16	5/16"	-	-	-	-	M22x1.5	
PC2233-16-M26	-	16	5/16"	-	-	-	-	M26x1.5	
PC2233-19-M30	32	19.1	3/4"	14.5	68.2	39	27.6	M30x1.5	5
PC2233-19-G34	32	19.1	3/4"	14.5	68.2	39	27.6	G3/4"	
PC2233-25-G1	41	25	1"	20	74	-	28.4	G1"	

PH1001 PORTAGOMMA IN ACCIAIO ZINCATO PER TUBI ALTA PRESSIONE FIL. FEMMINA BSPP GIREVOLE
 GALVANIZED STEEL HOSE TAIL WITH SWIVEL BSPP FEMALE THREAD FOR HIGH PRESSURE HOSES

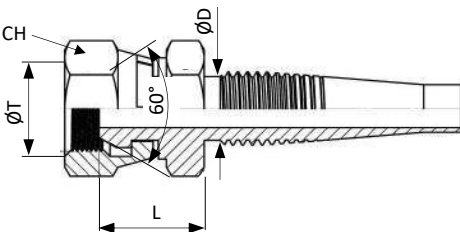


Raccordatura raccomandata –p. 122-123
 recommended clamping – p. 122-123

Codice-Code	CH	ØD tubo/hose mm	L	ØT	max Bar		
PH1001-014-M12	14	6.3	1/4"	15.5	M12x1.5	350	10
PH1001-014-M14	19			17.5	M14x1.5		
PH1001-014-M16	14			15.5	G 1/8"		
PH1001-014-G18	19			17.5	G 3/8"		
PH1001-014-G14	19	9.5	3/8"	18	M16x1.5		
PH1001-014-G38	22			19	M18x1.5		
PH1001-038-M16	27			16	M20x1.5		
PH1001-038-M18	19			18	G 1/4"		
PH1001-038-M20	27	12.7	1/2"	19	G 3/8"		
PH1001-038-G14	19			18	G 1/2"		
PH1001-038-G38	22			21.5	G 3/8"		
PH1001-038-G12	27			19	G 1/2"		
PH1001-012-M18	22	19	3/4"	18	M18x1.5	315	5
PH1001-012-M22	27			19	M22x1.5		
PH1001-012-M26	32			21.5	M26x1.5		
PH1001-012-G38	27			19	G 3/8"		
PH1001-012-G12	22	25	1"	18	G 1/2"		
PH1001-012-G34	32			21.5	3/4"		
PH1001-034-M26	32			22.5	M26x1.5		
PH1001-034-G34	19			23.5	3/4"		
PH1001-034-G1	41	32	1 1/4"	24	1"	200	1
PH1001-100-G1	50			31	1 1/4"		
PH1001-114-G114	55			35	1 1/2"		
PH1001-112-G112	55	38	1 1/2"		150		

Per la versione Inox aggiungere –S in fondo al codice
 For Stainless steel version add –S in the end of code

PH1004 PORTAGOMMA RECUPERABILE IN ACCIAIO ZINCATO PER TUBI ALTA PRESSIONE FIL. FEMMINA BSPP GIREVOLE - GALVANIZED STEEL RECOVERABLE FITTING WITH HOSE TAIL AND SWIVEL BSPP FEMALE THREAD FOR HIGH PRESSURE HOSES

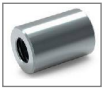
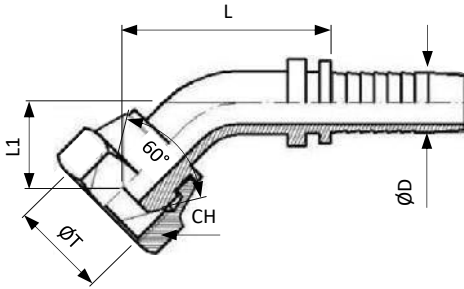


Codice-Code	CH	ØD tubo/hose mm	L	ØT	max Bar		
PH1004-014-G14	19	6.3	1/4"	19	G 1/4"	200	10
PH1004-038-G38	22	9.5	3/8"	20.5	G 3/8"	200	10
PH1004-012-G12	27	12.7	1/2"	23	G 1/2"	200	10



Raccordabile esclusivamente con boccola PH1052 pag. 123
 Clamping only with PH1052 ferrule, at page 123

PH1002 PORTAGOMMA IN ACCIAIO ZINCATO 45° PER TUBI ALTA PRESSIONE FIL. FEMMINA BSPP GIREVOLE
GALVANIZED STEEL HOSE TAIL 45° WITH SWIVEL BSPP FEMALE THREAD FOR HIGH PRESSURE HOSES



Raccordatura raccomandata – p. 122-123
recommended clamping – p. 122-123

Codice-Code	CH	ØD tubo/hose mm	L	L1	ØT	max Bar		
PH1002-014-M12	14	6.3	1/4"	37	13.5	M12x1.5	350	10
PH1002-014-M14	19			37.5	14	M14x1.5		
PH1002-014-M16	19			40.5	17.5	M16x1.5		
PH1002-014-G18	14			37	13.5	G1/8"		
PH1002-014-G14	19			37.5	14	G1/4"		
PH1002-014-G38	19			40.5	17.5	G3/8"		
PH1002-038-M16	22	9.5	3/8"	51.5	19	M16x1.5	315	5
PH1002-038-M18	22			51.5	19	M18x1.5		
PH1002-038-M20	27			53.5	21	M20x1.5		
PH1002-038-G14	19			50	17.5	G1/4"		
PH1002-038-G38	22			51.5	19	G3/8"		
PH1002-038-G12	27			53.5	21	G1/2"		
PH1002-012-M18	22	12.7	1/2"	60.5	20.5	M18x1.5	350	1
PH1002-012-M22	27			61	21	M22x1.5		
PH1002-012-M26	32			65.5	25.5	M26x1.5		
PH1002-012-G38	22			20.5	20.5	G3/8"		
PH1002-012-G12	27			61	21	G1/2"		
PH1002-012-G34	27			65.5	25.5	3/4"		
PH1002-034-M26	32	19	3/4"	81	26	M26x1.5	250	1
PH1002-034-G34	32			81	26	3/4"		
PH1002-034-G1	41			83.5	28.5	1"		
PH1002-100-G1	41			99.5	29	1"	200	
PH1002-114-G114	50	32	1"1/4	120	40	1"1/4	150	
PH1002-112-G112	55	38	1"1/2	90	45	1"1/2		

Per la versione Inox aggiungere –S in fondo al codice
For Stainless steel version add –S in the end of code

PC2282 PORTAGOMMA BASSA PRESSIONE IN ACCIAIO ZINCATO 45° FIL. FEMMINA BSPP GIREVOLE
GALVANIZED STEEL LOW PRESSURE HOSE TAIL 45° WITH SWIVEL BSPP FEMALE THREAD

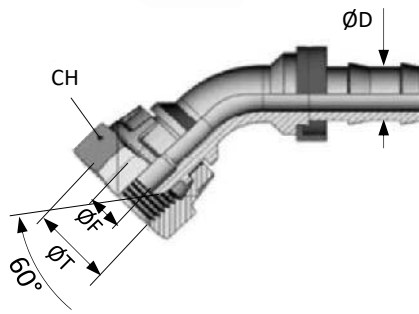


Codice-Code	CH	ØD tubo/hos mm	ØF	L	ØT	max Bar		
PC2282-10-G38	-	10	3/8"	-	-	G3/8"	25	5
PC2282-13-G12	-	13	1/2"	-	-	G1/2"	25	5
PC2282-19-G34	-	19	3/4"	-	-	G3/4"	25	1
PC2282-25-G1	-	25	1"	-	-	G1"	25	
PC2282-32-G114	-	32	1"1/4	-	-	G1"1/4	20	
PC2282-38-G112	-	38	1"1/2	-	-	G1"1/2	15	

Raccordatura raccomandata – recommended clamping – p. 119-121

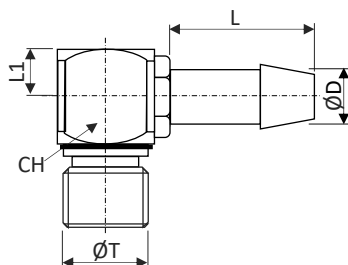


PC2234 PORTAGOMMA IN ACCIAIO ZINCATO 45° PROFILO EASY-LOCK FIL. FEMMINA BSPP GIREVOLE
 GALVANIZED STEEL EASY-LOCK HOSE TAIL 45° WITH SWIVEL BSPP FEMALE THREAD



Codice-Code	CH	ØD tubo/hose mm	ØF	L	ØT	max Bar		
PC2234-06-M14	19	6.3	1/4"	4	-	M14x1.5	25	5
PC2234-06-M16	20	9.5	3/8"	7	-	M16x1.5		
PC2234-06-G14	19	6.3	1/4"	4	-	G1/4"		
PC2234-10-M16	20	9.5	3/8"	7	-	M16x1.5		
PC2234-10-M18					-	M18x1.5		
PC2234-10-G38	22	-	-	-	-	G3/8"		
PC2234-13-M22	27	12.7	1/2"	9.5	-	M22x1.5		
PC2234-13-G12					-	G1/2"		
PC2234-16-M26	32	16	5/16"	14.5	-	M26x1.5		
PC2234-19-G34					-	G3/4"		
PC2234-19-M30	32	19.1	3/4"	-	-	M30x1.5		
PC2234-25-G1	46	25	1"	20	-	G1"		

PC2248 RACCORDO IN OTTONE NICHELATO PORTAGOMMA 90° FILETTO MASCHIO BSPP ED O-RING
 NIKEL PLATED BRASS HOSE TAIL WITH 90° BSPP MALE THREAD WITH O-RING

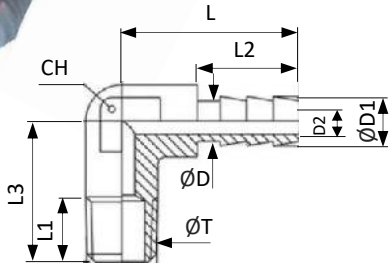


Codice-Code	CH	ØD tubo/hose mm	ØF	L	L1	L2	ØT	
NBR PC2248-08-G14	20	8	5/16"	-	26	-	G1/4"	5
FKM PC2248-08-G14-V	20	8	5/16"	-	26	-		
NBR PC2248-10-G14	20	9.5	3/8"	-	28	-		
FKM PC2248-10-G14-V	20					-		
NBR PC2248-10-G38	20	-	-	-	-	-	G3/8"	
FKM PC2248-10-G38-V	20	-	-	-	-	-	G3/8"	
NBR PC2248-13-G12	25	12.7	1/2"	-	32	12.5	G1/2"	1
FKM PC2248-13-G12-V	25	12.7	1/2"	-	32			
NBR PC2248-16-G12	25	16	5/8"	-	34			
FKM PC2248-16-G12-V	25	16	5/8"	-	34			

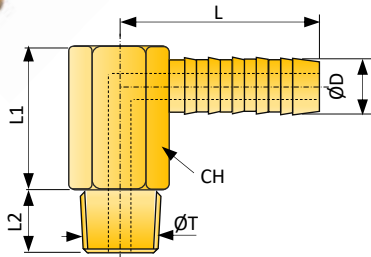
Raccordatura raccomandata – recommended clamping – p. 119-121



PC2229 RACCORDO IN OTTONE PORTAGOMMA 90° FILETTO MASCHIO BSPT
BRASS HOSE TAIL WITH 90° BSP MALE THREAD



Codice-Code	CH	ϕD tubo/hose mm	ϕF	L	L1	L2	ϕT	
PC2229-06-R18	8			22,5	11	14	R1/8"	20
PC2229-06-R14	9	6.3	1/4"	23			R1/4"	

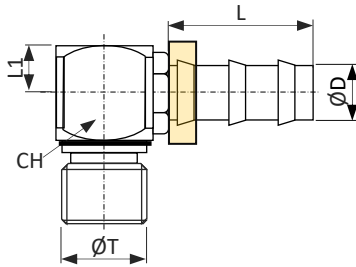
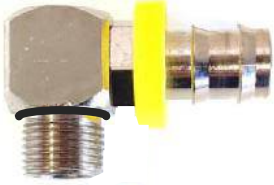


Codice-Code	CH	ϕD tubo/hose mm	ϕF	L	L1	L2	ϕT	
PC2229-09-M8	11	9.5	3/8"	5	23	27	9	M8x0.75
PC2229-09-M10								M10x1
PC2229-09-R18								R1/8"
PC2229-13-M14	15	12.7	1/2"	11	32.5	34	12	M14x1.5
PC2229-13-R14								R1/4"
PC2229-19-M24	24	19	3/4"	14	44	47	16	M24x1.5
PC2229-19-R12	22							R1/2"

Raccordatura raccomandata – recommended clamping – p. 119-121

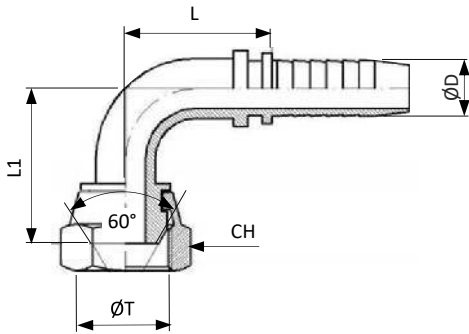


PC2247 RACCORDO IN OTTONE NICHELATO EASY-LOCK 90° FILETTO MASCHIO BSPP ED O-RING
 NIKEL PLATED BRASS EASY-LOCK TAIL WITH 90° BSPP MALE THREAD WITH O-RING



	Codice-Code	CH	ØD tubo/hose mm	L	L1	ØT	max Bar	
NBR	PC2247-10-G14	20	10	3/8"	25	10	15	5
FKM	PC2247-10-G14-V							
NBR	PC2247-10-G38							
FKM	PC2247-10-G38-V	25	13	1/2"	32	12.5	15	5
NBR	PC2247-13-G38							
FKM	PC2247-13-G38-V							
NBR	PC2247-13-G12	25	15.9	5/8"	35	12.5	15	5
FKM	PC2247-13-G12-V							
NBR	PC2247-16-G12							
FKM	PC2247-16-G12-V							

PH1003 PORTAGOMMA IN ACCIAIO ZINCATO 90° PER TUBI ALTA PRESSIONE FIL. FEMMINA BSPP GIREVOLE
 GALVANIZED STEEL HOSE TAIL 90° WITH SWIVEL BSPP FEMALE THREAD FOR HIGH PRESSURE HOSES



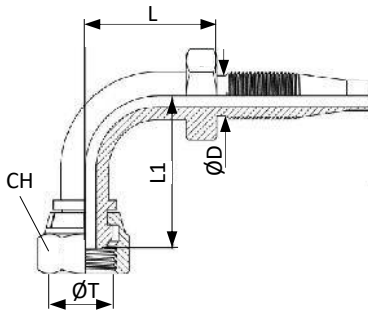
	Codice-Code	CH	ØD tubo/hose mm	L	L1	ØT	max Bar	
	PH1003-014-M12	14	6.3	1/4"	21	26.5	M12x1.5	350
	PH1003-014-M14	19				26.5	M14x1.5	
	PH1003-014-M16	19				30.5	M16x1.5	
	PH1003-014-G18	14	9.5	3/8"	29	26.5	G 1/8"	10
	PH1003-014-G14	19				26.5	G 1/4"	
	PH1003-014-G38	19				30.5	G 3/8"	
	PH1003-038-M16	22	12.7	1/2"	35.5	36.5	M16x1.5	350
	PH1003-038-M18	22				36.5	M18x1.5	
	PH1003-038-M20	27				39.5	M20x1.5	
	PH1003-038-G14	19	19	3/4"	49.5	34.5	G 1/4"	250
	PH1003-038-G38	22				36.5	G 3/8"	
	PH1003-038-G12	27				39.5	G 1/2"	
	PH1003-012-M18	22	41	1"	56	40.5	M18x1.5	200
	PH1003-012-M22	27				41.5	M22x1.5	
	PH1003-012-M26	32				47.5	M26x1.5	
	PH1003-012-G38	22	50	1 1/4"	60	40.5	G 3/8"	150
	PH1003-012-G12	27				41.5	G 1/2"	
	PH1003-012-G34	27				47.5	G 3/4"	
	PH1001-034-M26	32	55	1 1/2"	80	49.5	M26x1.5	1
	PH1003-034-G34	32				52.5	3/4"	
	PH1003-034-G1	41				50	1"	
	PH1003-100-G1	41	55	1 1/2"	80	63	1"	150
	PH1003-114-G114	50				32	1 1/4"	
	PH1003-112-G112	55	38	1 1/2"	90	1 1/2"		



Raccordatura raccomandata – p. 122-123
 recommended clamping – p. 122-123

Per la versione Inox aggiungere –S in fondo al codice
 For Stainless steel version add –S in the end of code

PH1006 PORTAGOMMA RECUPERABILE A 90° IN ACCIAIO ZINCATO PER TUBI ALTA PRESSIONE FIL. FEMMINA BSPP GIREVOLE - GALVANIZED STEEL RECOVERABLE FITTING 90° WITH HOSE TAIL AND SWIVEL BSPP FEMALE THREAD FOR HIGH PRESSURE HOSES

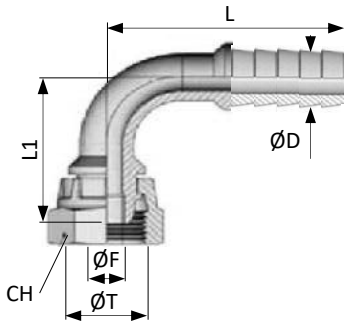


Codice-Code	CH	ØD tubo/hose mm	ØF	L	L1	ØT	max Bar	
PH1006-014-G14	19	6.3	1/4"	4	27	36	G1/4"	
PH1006-038-G38	22	9.5	3/8"	7	32	42	G3/8"	200
PH1006-012-G12	27	12.7	1/2"	8	38	51	G1/2"	5



Raccordabile esclusivamente con boccola PH1052 pag. 123
Clamping only with PH1052 ferrule, at page 123

PC2261 PORTAGOMMA FIL. FEMMINA BSPP GIREVOLE 90° - ACCIAIO ZINCATO
SWIVEL BSPP FEMALE THREAD HOSE TAIL 90° - GALVANIZED STEEL

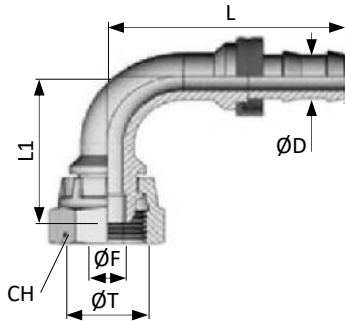


Codice-Code	CH	ØD tubo/hose mm	ØF	L	L1	ØT	max Bar	
PC2261-06-G18	-	6.3	1/4"	5	-	-	G1/8"	
PC2261-06-G14	-	6.3	1/4"	5	-	-	G1/8"	
PC2261-08-G14	-	8	5/16"	6	-	-	G1/4"	25
PC2261-10-G14	19	9.5	3/8"	7.5	40	35	G1/4"	5
PC2261-10-G38	22	9.5	3/8"	7.5	50	43	G3/8"	
PC2261-13-G38	22	12.7	1/2"	9	51	41	G3/8"	
PC2261-13-G12	27	12.7	1/2"	9	55	43	G1/2"	20
PC2261-16-G12	-	16	5/8"	11	-	-	G1/2"	
PC2261-19-G34	-	19	3/4"	13	-	-	G3/4"	
PC2261-25-G1	-	25	1"	-	-	-	1"	15
PC2261-32-G114	-	32	1 1/4"	-	-	-	32	1
PC2261-38-G112	-	38	1 1/2"	-	-	-	1 1/2"	

Raccordatura raccomandata – recommended clamping – p. 119-121

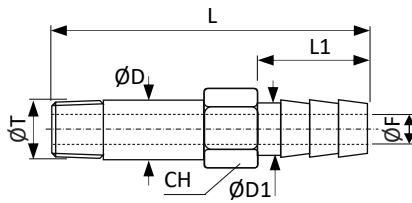


PC2235 PORTAGOMMA EASY-LOCK FIL. FEMMINA BSPP GIREVOLE 90° - ACCIAIO ZINCATO
SWIVEL BSPP FEMALE THREAD EASY-LOCK HOSE TAIL 90° - GALVANIZED STEEL



Codice-Code	CH	ØD tubo/hose mm	ØF	L	L1	ØT	max Bar	
PC2235-06-M14	19				25	M14x1.5	25	5
PC2235-06-M16	22	6.3	1/4"	4	19	- M16x1.5	25	
PC2235-06-G14	19				25	G1/4"	25	
PC2235-10-M16					-	M16x1.5	25	
PC2235-10-M18	20	9.5	3/8"	7	22	- M18x1.5	25	
PC2235-10-G38	22				35	G3/8"	25	
PC2235-13-M22	27	12.7	1/2"	9.5	27	42 M22x1.5	25	
PC2235-13-G12						G1/2"	25	
PC2235-16-M26		16	5/16"		29	61 M26x1.5	25	
PC2235-19-M30	32	19.1	3/4"	14.5	32	- M30x1.5	25	
PC2235-19-G34					58	G3/4"	25	
PC2235-25-G1	40	25	1"	20	40	- G1"	20	

PC2237 PORTAGOMMA OTTONE FILETTO MASCHIO BSPT PROLUNGATO
BRASS HOSE STEM TUBE WITH BSPT MALE THREAD

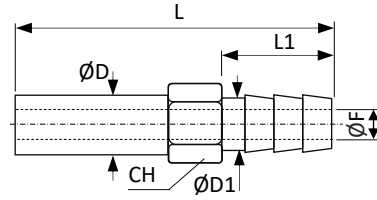


Codice-Code	CH	ØD tubo/hose mm	ØF	L	L1	ØT	max Bar	
PC2237-09-R18-060	11	9	3/8"	6	60	-	R 1/8"	15
PC2237-09-R18-080					80	-		
PC2237-09-R18-100					100	-		
PC2237-09-R18-120					120	-		
PC2237-09-R18-150					150	-		
PC2237-13-R14-060	15	13	1/2"	9	60	-	R 1/4"	12
PC2237-13-R14-080					80	-		
PC2237-13-R14-100					100	-		
PC2237-13-R14-120					120	-		
PC2237-13-R14-150					150	-		

Raccordatura raccomandata – recommended clamping – p. 119-121



PC2232 PROLUNGA LISCIA IN OTTONE CON PORTAGOMMA
BRASS SMOOTH EXTENSION WITH HOSE TAIL



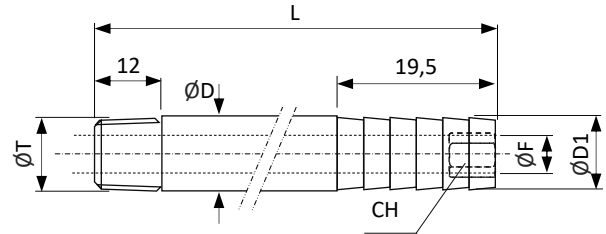
Raccordatura raccomandata – recommended clamping – p. 119-121



Codice-Code	CH	ØD	ØD tubo/hose mm	L	L1	ØT	max Bar	
-------------	----	----	-----------------------	---	----	----	------------	--

PC2232-09-10-120				120		-		
PC2232-09-10-240	11	10	9	9.5"	240	25		4
PC2232-09-10-360				360		-		
PC2232-13-14-150		10		150		-	15	4
PC2232-13-14-300	15	14	13	12.7"	300	33		1
PC2232-13-14-450				450		-		
PC2232-19-21-500	22	21	19	3/4"	500	38		

PC2263 PROLUNGA PORTAGOMMA ACCIAIO ZINCATO FILETTO MASCHIO BSPT
GALVANIZED EXTENSION WITH STEEL HOSE TAIL



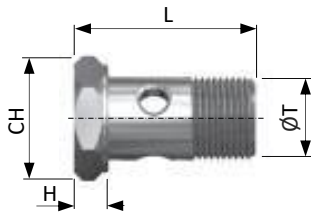
Codice-Code	CH	ØD	ØD tubo/hose mm	F	L	ØT	max Bar	
-------------	----	----	-----------------------	---	---	----	------------	--

PC2263-10-G18-050					50			
PC2263-10-G18-075					75			5
PC2263-10-G18-100					100			
PC2263-10-G18-125	5	10	9.5	3/8"	4.8	125	G 1/8"	
PC2263-10-G18-150					150			1
PC2263-10-G18-200					200			
PC2263-10-G18-250					250			
PC2263-13-G14-050					50			
PC2263-13-G14-075					75			5
PC2263-13-G14-100					100			
PC2263-13-G14-125					125			
PC2263-13-G14-150	7	13	12.7	1/2"	7	150	G 1/4"	15
PC2263-13-G14-200					200			
PC2263-13-G14-250					250			
PC2263-13-G14-300					300			
PC2263-13-G14-400					400			
PC2263-16-G38-050					50			
PC2263-16-G38-075					75			1
PC2263-16-G38-100					100			
PC2263-16-G38-125					125			
PC2263-16-G38-150	10	16.5	16	5/8"	10	150	G3/8"	
PC2263-16-G38-200					200			
PC2263-16-G38-250					250			
PC2263-16-G38-300					300			
PC2263-16-G38-400					400			

Raccordatura raccomandata – recommended clamping – p. 119-121

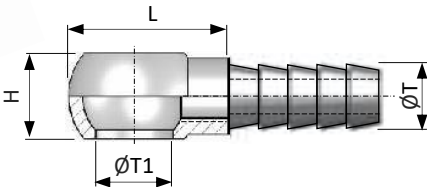


PC2255 VITE CAVA PER RACCORDO AD OCCHIELLO FILETTO MASCHIO BSPP BSPP MALE THREAD BOLT FOR BANJO FITTING



Codice-Code	CH	H	L	ØT	ØT1	max Bar	
PC2255-G18	14	5	26	G1/8"	-	100	5
PC2255-G14	19	6	33	G1/4"	-		5
PC2255-G38	22	7	39	G3/8"	-		5
PC2255-G12	27	8	46	G1/2"	-	75	1
PC2255-G34	32	10	56	G3/4"	-		1
PC2255-G100	38	12	72	G1"	-	60	1

PC2257 RACCORDO AD OCCHIELLO CON PORTAGOMMA BANJO FITTING WITH HOSE TAIL

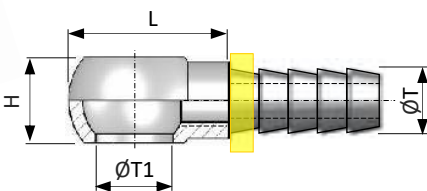


Codice-Code	ØF	H	L	ØT	ØT1	max Bar	
PC2257-06-G14	-	10	25	6-1/4"	G1/4"	15	5
PC2257-10-G14	6	14	29	9.5-3/8"	G1/4"		5
PC2257-10-G38	6	20	35	9.5-3/8"	G3/8"		5
PC2257-13-G38	8	20	35	12.7-1/2"	G3/8"		5
PC2257-13-G12	8	22.5	37	12.7-1/2"	G1/2"		1
PC2257-16-G12	9.5	23	37	16-5/8"	G1/2"		1
PC2257-16-G34	9.5	30	53	16-5/8"	G3/4"		1
PC2257-19-G34	12	38	53	19-3/4"	G3/4"		1

Raccordatura raccomandata – recommended clamping – p. 119-121



PC2258 RACCORDO AD OCCHIELLO CON PORTAGOMMA EASY-LOCK BANJO FITTING WITH EASY-LOCK HOSE TAIL

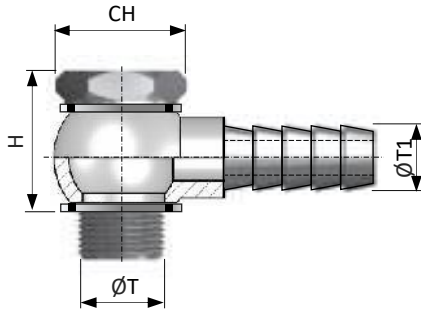


Codice-Code	ØF	H	L	ØT	ØT1	max Bar	
PC2258-10-G18	6	20	-	9.5-3/8"	1/8"	15	5
PC2258-10-G14	6	20	25	9.5-3/8"	1/4"		5
PC2258-10-G38	6	20	35	9.5-3/8"	3/8"		5
PC2258-13-G38	8	20	35	12.7-1/2"	3/8"		5
PC2258-13-G12	8	20	37	12.7-1/2"	1/2"		5

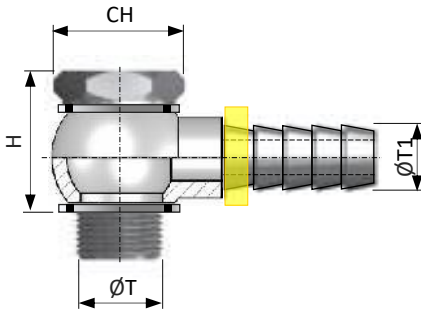
VEDERE PAG. 103 – SEE PAGE 103



CODICI D'ASSIEME PER RACCORDO AD OCCHIELLO CON PORTAGOMMA E RONDELLE BONDED
ASSEMBLY CODES FOR BANJO FITTING WITH HOSE TAIL AND BONDED SEAL

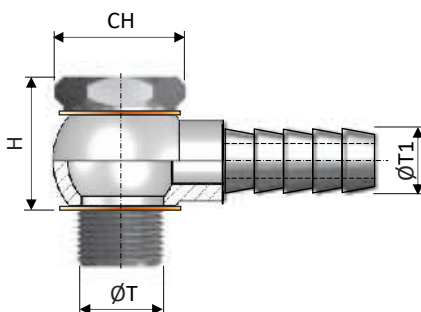


Codice-Code	CH	H	ØT	ØT1
PC2257A-06-G14-N	19	24	6-1/4"	G1/4"
PC2257A-06-G14-V			9.5-3/8"	
PC2257A-10-G14-N	22	29	9.5-3/8"	G3/8"
PC2257A-10-G14-V			12.7-1/2"	
PC2257A-10-G38-N	27	36	12.7-1/2"	G1/2"
PC2257A-10-G38-V			16-5/8"	
PC2257A-13-G38-N	32	45	16-5/8"	G3/4"
PC2257A-13-G38-V			19-3/4"	
PC2257A-13-G12-N	27	36	12.7-1/2"	G1/2"
PC2257A-13-G12-V			16-5/8"	
PC2257A-16-G12-N	32	45	16-5/8"	G3/4"
PC2257A-16-G12-V			19-3/4"	
PC2257A-16-G34-N	32	45	16-5/8"	G3/4"
PC2257A-16-G34-V			19-3/4"	
PC2257A-19-G34-N	32	45	16-5/8"	G3/4"
PC2257A-19-G34-V			19-3/4"	

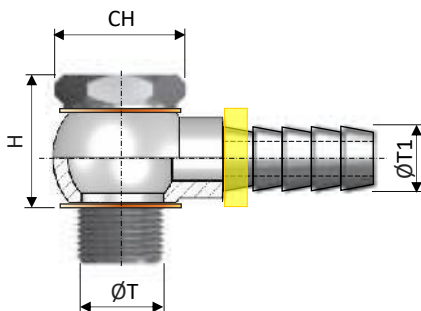


Codice-Code	CH	H	ØT	ØT1
PC2258A-10-G18-N	14	19	9.5-3/8"	1/8"
PC2258A-10-G18-V			9.5-3/8"	
PC2258A-10-G14-N	19	24	9.5-3/8"	1/4"
PC2258A-10-G14-V			9.5-3/8"	
PC2258A-10-G38-N	22	29	9.5-3/8"	3/8"
PC2258A-10-G38-V			12.7-1/2"	
PC2258A-13-G38-N	27	36	12.7-1/2"	3/8"
PC2258A-13-G38-V			12.7-1/2"	
PC2258A-13-G12-N	27	36	12.7-1/2"	1/2"
PC2258A-13-G12-V			12.7-1/2"	

CODICI D'ASSIEME PER RACCORDO AD OCCHIELLO CON PORTAGOMMA E RONDELLE RAME
ASSEMBLY CODES FOR BANJO FITTING WITH HOSE TAIL AND COPPER SEAL

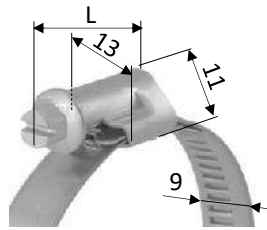


Codice-Code	CH	H	ØT	ØT1
PC2257A-06-G14-R	19	23	6-1/4"	G1/4"
PC2257A-10-G14-R			9.5-3/8"	
PC2257A-10-G38-R	22	28	9.5-3/8"	G3/8"
PC2257A-13-G38-R			12.7-1/2"	
PC2257A-13-G12-R	27	34	12.7-1/2"	G1/2"
PC2257A-16-G12-R			16-5/8"	
PC2257A-16-G34-R	32	43	16-5/8"	G3/4"
PC2257A-19-G34-R			19-3/4"	



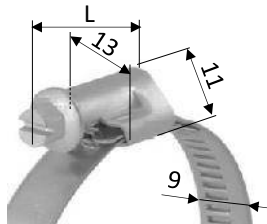
Codice-Code	CH	H	ØT	ØT1
PC2258A-10-G018-R	14	18	9.5-3/8"	1/8"
PC2258A-10-G014-R	19	23	9.5-3/8"	1/4"
PC2258A-10-G038-R	22	28	9.5-3/8"	3/8"
PC2258A-13-G038-R			12.7-1/2"	
PC2258A-13-G012-R	27	34	12.7-1/2"	1/2"

PC5102 FASCETTA STRINGITUBI ACCIAIO ZINCATO W1 DIN 3017
DIN 3017 GALVANIZED STEEL HOSE CLAMP W1



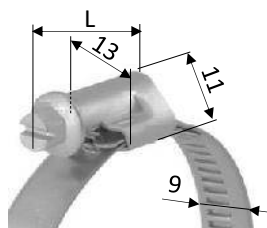
Codice-Code	Campo serraggio - Range		L	
	mm	Inch		
PC5102-0812-W1	8-12	5/16-1/2	21	100
PC5102-1016-W1	10-16	5/16-5/8	21	100
PC5102-1222-W1	12-22	1/2-7/8	24	100
PC5102-1627-W1	16-27	5/8-1 1/16	24	100
PC5102-2032-W1	20-32	13/16-1 1/4	24	50
PC5102-2540-W1	25-40	1-1 9/16	26	50
PC5102-3045-W1	30-45	1 3/16-1	26	50
PC5102-3250-W1	32-50	1 3/8-2	26	50
PC5102-4060-W1	40-60	1 9/16-2	26	25
PC5102-5070-W1	50-70	2-2 3/4	26	25
PC5102-6080-W1	60-80	2 3/8-3 1/8	26	25
PC5102-7090-W1	70-90	3 3/8-3 1/8	26	25
PC5102-8001-W1	80-100	4 3/8-3 1/8	26	25

PC5104 FASCETTA STRINGITUBI ACCIAIO INOX DIN 3017 W4
DIN 3017 STAINLESS STEEL HOSE CLAMP W4



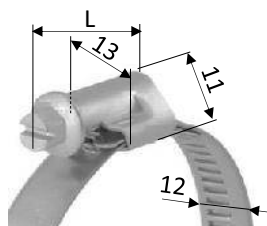
Codice-Code	Campo serraggio - Range		L	
	mm	Inch		
PC5104-0816-W4	8-16	5/16-5/8	21	100
PC5104-1220-W4	12-20	1/2-7/8	24	100
PC5104-1627-W4	16-27	5/8-1 1/16	24	100
PC5104-2032-W4	20-32	13/16-1 1/4	24	100
PC5104-2540-W4	25-40	1-1 9/16	26	100
PC5104-3045-W4	30-45	1 3/16-1	26	50
PC5104-3250-W4	32-50	1 3/8-2	26	50
PC5104-4060-W4	40-60	1 9/16-2	26	50
PC5104-5070-W4	50-70	2-2 3/4	26	25
PC5104-6080-W4	60-80	2 3/8-3 1/8	26	25
PC5104-7090-W4	70-90	2 3/4-3	26	25
PC5104-8001-W4	80-100	3 1/8-3	26	25

PC5111 FASCETTA STRINGITUBI 9 MM. ACCIAIO INOX W3 CON FRIZIONE
STAINLESS STEEL HOSE CLAMP 9 MM. W3 WITH SPRING RELEASE



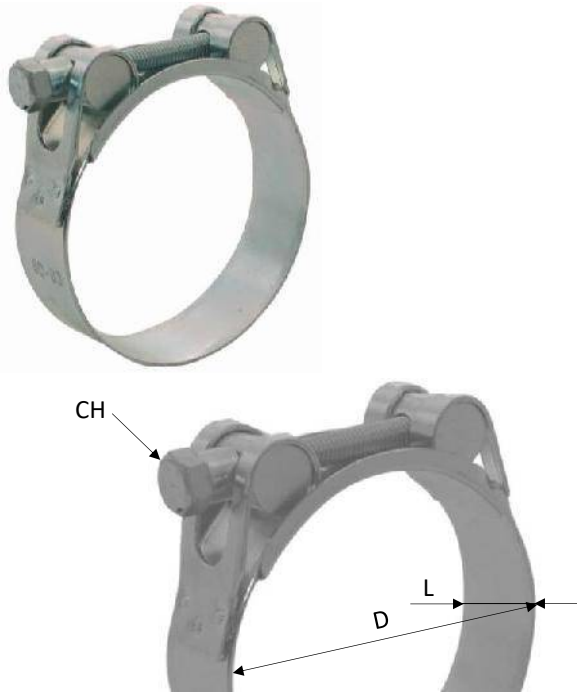
Codice-Code	Campo serraggio - Range		L	
	mm	Inch		
PC5111-0816-W3	8-16	5/16-5/8	21	100
PC5111-1222-W3	12-22	1/2-7/8	24	100
PC5111-1627-W3	16-27	5/8-1 1/16	24	100
PC5111-2032-W3	20-32	13/16-1 1/4	24	100
PC5111-2540-W3	25-40	1-1 9/16	26	100
PC5111-3250-W3	32-50	1 3/16-1	26	50
PC5111-4060-W3	40-60	1 9/16-2	26	50
PC5111-5070-W3	50-70	2-2 3/4	26	25
PC5111-6080-W3	60-80	2 3/8-3 1/8	26	25
PC5111-7090-W3	70-90	2 3/4-3	26	25

PC5112 FASCETTA STRINGITUBI 12 MM. ACCIAIO INOX W3 CON FRIZIONE
STAINLESS STEEL HOSE CLAMP 12 MM. W3 WITH SPRING RELEASE



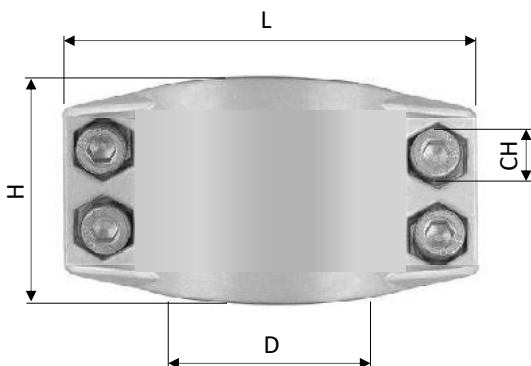
Codice-Code	Campo serraggio - Range		L	
	mm	Inch		
PC5112-1627-W3	16-27	5/8-1 1/16	24	100
PC5112-2032-W3	20-32	13/16-1 1/4	24	100
PC5112-2540-W3	25-40	1-1 9/16	26	100
PC5112-3250-W3	32-50	1 3/16-1	26	50
PC5112-4060-W3	40-60	1 9/16-2	26	50
PC5112-5070-W3	50-70	2-2 3/4	26	25
PC5112-6080-W3	60-80	2 3/8-3 1/8	26	25
PC5112-7090-W3	70-90	2 3/4-3	26	25

PC5105 FASCETTA STRINGITUBI ACCIAIO ZINCATO W1 SERIE PESANTE
HEAVY DUTY GALVANIZED STEEL HOSE CLAMP W1



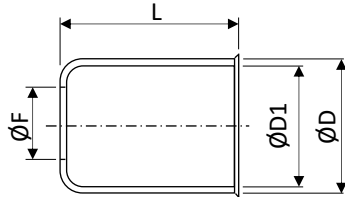
Codice-Code	CH	∅D Range	H	L	
PC5105-1719-W1	M5	17-19	-	18	100
PC5105-2022-W1		20-22			100
PC5105-2325-W1		23-25			100
PC5105-2628-W1		26-28			100
PC5105-2931-W1	M6	29-31	-	20	100
PC5105-3033-W2		30-33			100
PC5105-3235-W1		32-35			50
PC5105-3639-W1		36-39			50
PC5105-4043-W1		40-43			25
PC5105-4447-W1		44-47			25
PC5105-4851-W1	M6	48-51	-	22	25
PC5105-5255-W1		52-55			25

PC5113 MORSETTI STRINGITUBI ALLUMINIO SERIE PESANTE
HEAVY DUTY ALUMINIUM HOSE CLAMPS



Codice-Code	CH	∅D Range	H	L	
PC5113-3033	M6x20	30-33	50	63	5
PC5113-3639		36-39		69	5
PC5113-4346		43-46		76	5
PC5113-5053		50-53		83	5

PC5101 BOCCOLA A PRESSARE ACCIAIO ZINCATO BASSA PRESSIONE
GALVANIZED STEEL FERRULE FOR LOW PRESSURE HOSES

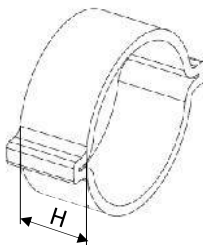


PC5910



Codice-Code	ØD	ØD1	F	L	
PC5101-125-Z	14	12,5	8,5	17	100
PC5101-135-Z	16	13,5	9,3	20	100
PC5101-145-Z	17	14,5	10	17	100
PC5101-160-Z	18	16	11,5	17	100
PC5101-180-Z	20	18	13,5	20	100
PC5101-190-Z	21	19	13,9	20	100
PC5101-195-Z	22	19,5	14,5	26	100
PC5101-210-Z	23	21	17	26	50
PC5101-220-Z	24	22	17	32	50
PC5101-230-Z	25	23	17	32	50
PC5101-250-Z	27	25	17	32	50
PC5101-280-Z	30	28	20,5	32	50
PC5101-305-Z	33	30,5	24,3	33	50
PC5101-330-Z	35	33	24,8	35	50
PC5101-338-Z	40	38	28	35	50
PC5101-410-Z	43	41	30	40	50

PC5110 FASCETTA A DUE ORECCHIE ACCIAIO ZINCATO DIN 2393 C
DIN 2393 C GALVANIZED STEEL DOUBLE-HEAR CLIP

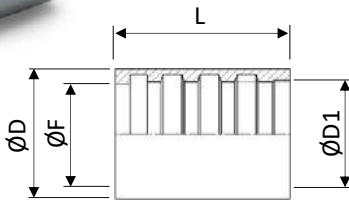


PC5902



Codice-Code	ØD	ØD Range	H	
PC5110-0507-Z	7.5	5-7	5,5	100
PC5110-0709-Z	9.5	7-9	6	100
PC5110-0911-Z	11.5	9-11	6	100
PC5110-1113-Z	13.5	11-13	6	100
PC5110-1315-Z	15.5	13-15	7	100
PC5110-1417-Z	17.5	14-17	7,5	100
PC5110-1518-Z	18.5	15-18	8	100
PC5110-1720-Z	20.5	17-20	8	100
PC5110-1921-Z	21.5	19-21	8	100
PC5110-2023-Z	23.5	20-23	9	100
PC5110-2225-Z	25.5	22-25	9	100
PC5110-2327-Z	27.5	23-27	9	100
PC5110-2528-Z	28.5	25-28	9	100
PC5110-2731-Z	31.5	27-31	9	100
PC5110-3134-Z	34.5	31-34	9	100
PC5110-3437-Z	37.5	34-37	9	100
PC5110-3740-Z	40.5	37-40	9	100
PC5110-4043-Z	43.5	40-43	9	100

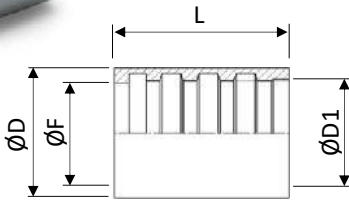
PC4601 BOCCOLA A PRESSARE ALTA PRESSIONE IN ACCIAIO ZINCATO PER TUBO PTFE PC4600
GALVANIZED STEEL SWAGE HIGH PRESSURE FERRULE FOR PTFE HOSE TYPE PC4600



Codice-Code	DN	ØD	ØD1	ØF	L	Ø crimp	
PC4601-014	1/4"	15	11	10.7	30	13	10
PC4601-038	3/8"	18	14.5	14	32	15.5	10
PC4601-012	1/2"	24	19.3	18.6	32	20.5	10
PC4601-034	3/4"	30	24.9	24.4	43	27	8
PC4601-100	1"	36	30.3	30.3	50	34	6

Per la versione Inox aggiungere -S in fondo al codice
For Stainless steel version add -S in the end of code

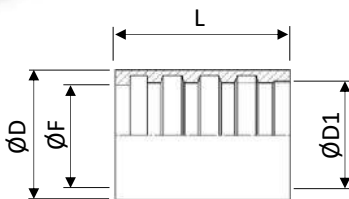
PC4651 BOCCOLA A PRESSARE ALTA PRESSIONE IN ACCIAIO ZINCATO PER TUBO PTFE PC4650
GALVANIZED STEEL SWAGE HIGH PRESSURE FERRULE FOR PTFE HOSE TYPE PC4650



Codice-Code	DN	ØD	ØD1	ØF	L	Ø crimp	
PC4651-014	1/4"	16	12.5	11.2	30	12.2	10
PC4651-038	3/8"	21.5	17.8	15.5	30	16.8	10
PC4651-012	1/2"	25	21	18.6	33	20.2	10
PC4651-034	3/4"	32	28	25.2	40	26.7	8
PC4651-100	1"	40	34.8	33	50	34	6
PC4651-114	1"1/4	-	-	-	-	-	4
PC4651-112	1"1/2	-	-	-	-	-	4

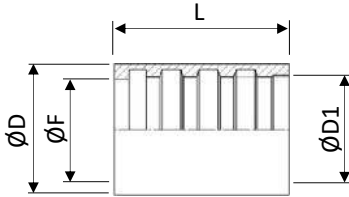
Per la versione Inox aggiungere -S in fondo al codice
For Stainless steel version add -S in the end of code

PC4351 BOCCOLA A PRESSARE ALTA PRESSIONE IN ACCIAIO ZINCATO PER TUBO PC4350
GALVANIZED STEEL SWAGE HIGH PRESSURE FERRULE FOR PC4350 HOSE



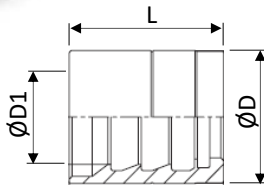
Codice-Code	DN	ØD	ØD1	ØF	L	Ø crimp	
PC4351-038	3/8"	28	24	15.6	32	-	10
PC4351-012	1/2"	30	25.5	19.4	34	-	10
PC4351-034	3/4"	38.3	33	25.8	40	-	10
PC4351-1	1"	46	40	30.5	50	-	10

PC4701 BOCCOLA A PRESSARE ALTA PRESSIONE IN ACCIAIO ZINCATO PER TUBO PC4700, PC4750, PC4202 E PC4220 - GALVANIZED STEEL SWAGE HIGH PRESSURE FERRULE FOR PC4700, PC4750, PC4202 AND PC4220 HOSE



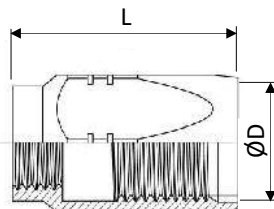
Codice-Code	DN	ØD	ØD1	L	
PC4701-038	3/8"	21	16.8	31	50
PC4701-012	1/2"	25.5	20.8	34	50
PC4701-034	3/4"	32	27.5	42	50
PC4701-1	1"	40	34.5	50	50
PC4701-114	1 1/4"	-	-	-	-
PC4701-112	1 1/2"	-	-	-	-

PH1051 BOCCOLA A PRESSARE ALTA PRESSIONE IN ACCIAIO ZINCATO PER TUBO OLEODINAMICO PH4100 E PH4150 - GALVANIZED STEEL SWAGE HIGH PRESSURE FERRULE FOR HYDRAULIC HOSE TYPE PH4100 AND PH4150



Codice-Code	DN	ØD	ØD1	L	
PH1051-014-Z	1/4"	22.5	15.5	25.5	10
PH1051-038-Z	3/8"	25	19.4	27	8
PH1051-012-Z	1/2"	28	22.6	29	6
PH1051-034-Z	3/4"	36	29.7	36	4
PH1051-01-Z	1"	45	38.3	44.5	4

PH1052 BOCCOLA AD AVVITARE IN ACCIAIO ZINCATO PER TUBO OLEODINAMICO PH4100. ABBINABILE SOLO AI TERMINALI RECUPERABILI PH1004 E 1006 - GALVANIZED STEEL SWAGE FERRULE FOR HYDRAULIC HOSE TYPE PH4100. TO BE USED ONLY WITH PH1004 AND PH1006 FITTINGS

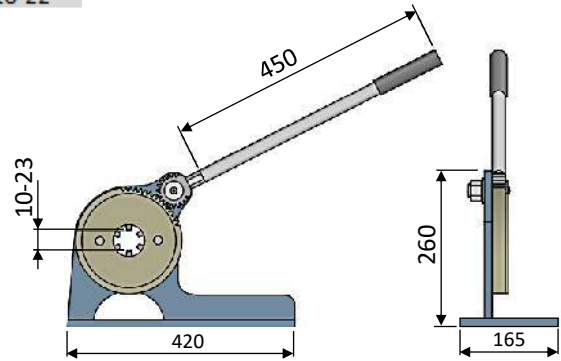


Codice-Code	DN	ØD	ØD1	L	
PH1052-014-AZ	1/4"	14	-	40	8
PH1052-038-AZ	3/8"	18	-	45	6
PH1052-012-AZ	1/2"	20	-	49	4

PC5910 ATTREZZATURA MANUALE PER RACCORDATURA BOCCOLE BASSA PRESSIONE PC5101 E PC5121
HAND-OPERATED CRIMPING TOOL FOR LOW PRESSURE FERRULE AS PC5101 AND 5121



Codice-Code	Range tubo Hose range
PC5910-1025	10-22



PC5901 TAGLIATUBI IN ACCIAIO INOX
STAINLESS STEEL HOSE CUTTER



Codice-Code	Range tubo Hose range
PC5901-012	0-12
PC5901-028	0-28



PC5901-012R	0-12
PC5901-028R	0-28

PC5902 UTENSILE PER SERRAGGIO FASCETTE PC5110
TOOL FOR PC5110 SETTING



Codice-Code

PC5902

PE502 TAGLIERINA PER TUBI CON TRECCIA ACCIAIO STEEL-BRAID HOSE CUTTER



Codice - Code | Caratteristiche tecniche - Technical Features

PE502	Peso a vuoto - empty machine weight	30
	Potenza motore - Power	1,1 Kw (1,5 Hp)
	Ølama - ØBlade	250 mm
	Ø max. taglio - Ø max. cut	60 mm
	Giri min. - Turns min.	2900
	Dimensioni - Dimensions LxPxH	525x660x445 mm
	Tensione alimentazione - Voltage	400V 50HZ 3PH

PE501 CRIMPATRICE OLEO-PNEUMATICA PER TUBI ALTA PRESSIONE E PTFE CON TRECCIA ACCIAIO HYDRO-PNEUMATIC CRIMPER FOR HIGH PRESSURE STEEL BRAID HOSE



Codice - Code | Caratteristiche tecniche - Technical Features

PE501	Peso a vuoto - empty machine weight	38
	Forza pressatura - Crimping force	100 Ton
	Ømax tubo (2 trecce) - Ømax hose (2 breeds)	1"
	Ømax tubo con due raccordi a 90° - Ømax hose with two fittings 90°	3/8"
	Serbatoio olio (incluso) - oil tank capacity (oil included)	1,5 Lt.
	Alimentazione pneumatica - Pneumatic input pressure	7 Bar (100 Psi)
	Dimensioni - Dimensions LxPxH	380x430x400 mm

MORSETTI PER CRIMPATRICE PE501 CLAMPS FOR PE501 CRIMPER



Codice - Code | Ø | L

PE501-10	10	55
PE501-12	12	55
PE501-14	14	55
PE501-16	16	55
PE501-19	19	55
PE501-22	22	55
PE501-25	25	65
PE501-29	29	65

PE401-01

Attrezzatura per l'inserzione agevolata dei tubi flessibili su portagomma tradizionali ed Easylock. Consente di velocizzare e semplificare l'operazione di inserimento del tubo sui terminali. Nel kit sono incluse le maschere per gli innesti rapidi PC1100 (standard Europa DN9 e DN13), e PC1200 (standard Internazionale DN6 e DN9). Altri profili disponibili su richiesta.

Tool for hoses easy assembly on quick coupling and fitting standard hose tail and Easylock. Accessories for PC1100 (European standard quick couplings DN9 and DN13) and PC1200 (International standard quick couplings DN6 and DN9) are included. Other profiles are available on demand.



PC-5810-01 Lubrificante Siliconico - Silicon Grease

Lubrificante ideale per agevolare l'inserzione di tubi in plastica e gomma su raccordi portagomma con profilo tradizionale e Easylock.

Special grease with silionic base, which simplify installation of plastic and rubber hoses on hose fittings with traditional tale profile and Easylock.



PC5801-050 50 ml SIGILLANTE LIQUIDO 180°C - LIQUID SEALANT 180°C



Adesivo anaerobico per metalli a bassa resistenza meccanica per sigillare raccordi idraulici e pneumatici. Per la sigillatura di gas, acqua, GPL, idrocarburi, oli e svariati agenti chimici. E' SMONTABILE con normali utensili. Temperatura di esercizio da **-55°C a +180°C**. Altamente resistente a corrosione, urti e vibrazioni. **Minimo 2 ore di asciugatura.**

Anaerobic sealant for thread connections allowing easy dismantling of parts. Upon curing will give an elastic film to replace yarn, PTFE tapes, and solid gaskets for the sealing of gas, air, water, LPG, oils, hydrocarbons and many chemicals. EASY TO DISMANTLE. Shocks and vibrations resistant, it will keep unaffected properties of sealing in the range of temperature **from -55°C to +180°C. Minimum 2 hours drying time.**

PC5802-050 50 ml SIGILLANTE LIQUIDO 200°C - LIQUID SEALANT 200°C
PC5802-250 250ml



Adesivo anaerobico per metalli a bassa resistenza meccanica per sigillare raccordi idraulici e pneumatici. Per la sigillatura di gas, acqua, GPL, idrocarburi, oli e svariati agenti chimici. Omologato norma DIN-DVGW cert. Nr. NG-5146AU0038. E' SMONTABILE con normali utensili. Temperatura di esercizio da **-55°C e +200°C, fino a +250°C** per brevi periodi, con comprovata resistenza allo svitamento alla temperatura di +200°C. Altamente resistente a corrosione, urti e vibrazioni. **Minimo 8 ore di asciugatura.**

Medium strength anaerobic adhesive for thread locking of nuts and bolts of all types that require to be dismantled. Suitable to be used on oily surfaces. Highly resistant to heat, corrosion, vibrations, water, gas, oils, and many chemicals. Approved as gas-tight sealant for threaded fittings according to the European norm EN 751-1. Approved for potable water (TZW – DVGW). It keeps sealing properties unchanged between **-55°C/+200°C and up to +250°C for short times. Minimum 8 hours drying time.**

PC5804-050 50ml SIGILLANTE LIQUIDO 250°C
 LIQUID SEALANT 250°C



Adesivo anaerobico specifico per acciaio inox ad elevato bloccaggio per sigillare giunzioni filettate. Mantiene le proprietà sigillanti fino alla temperatura di +250°C. Dotato di alta resistenza a sbalzi termici, vibrazioni, agenti chimici ed invecchiamento. La sua alta viscosità consente una maggiore tolleranza di lavorazione. 24 Ore asciugatura.

Anaerobic adhesive specific for high mechanical strength on Stainless Steel, to seal threaded joints and to fix cylindrical couplings. It keeps sealing properties up to +250°C. It's highly resistant to thermal shocks, vibrations, chemical agents and aging. Its high viscosity allows a great handling tolerance. 24 hours drying time.

PC5911 NASTRO TEFLON 250°C – TEFLON TAPE 250°C



PC2292



PC2206



160

PC2240



161

PC2241



162

PC2266



PC2268



PC2269



163

PC2280



164

PC2244



167

PC2270



168

PA1712A



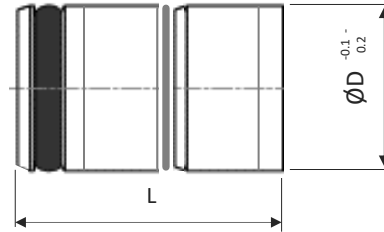
169

PC2273

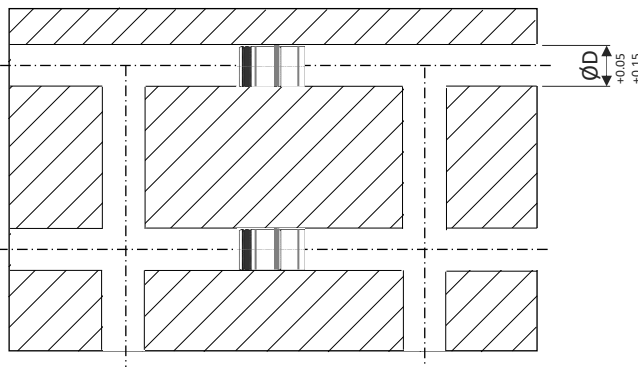


170

PC2292 DEVIATORE INTERNO AD ESPANSIONE IN AISI 304 CON ANELLO DI TENUTA MECCANICA E O-RING
FKM - AISI 304 THREADLESS DIVERTING PLUG WITH LOCKING RING AND FKM O-RING

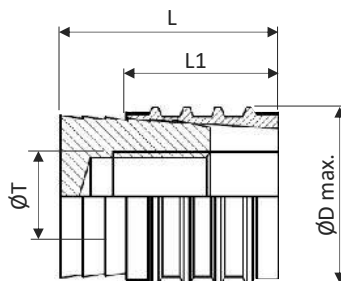


Codice-Code | $\varnothing D$ | L | max bar |



PC2292-08-S	8	15	15	25
PC2292-10-S	10	18,5		25
PC2292-11-S	11	18,5		20
PC2292-12-S	12	18,5		15
PC2292-15-S	15	20		10

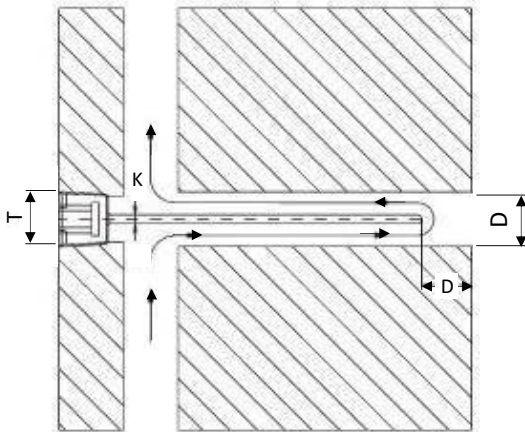
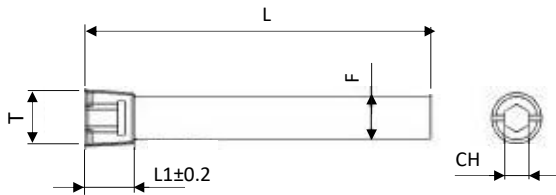
PC2206 DEVIATORE IN OTTONE-ACCIAIO INOX A PRESSIONE SENZA FILETTO
THREADLESS BRASS-STAINLESS STEEL PRESSURE DIVERTING



Codice-Code | $\varnothing D_{max}$ | L | L1 | $\varnothing T$ |

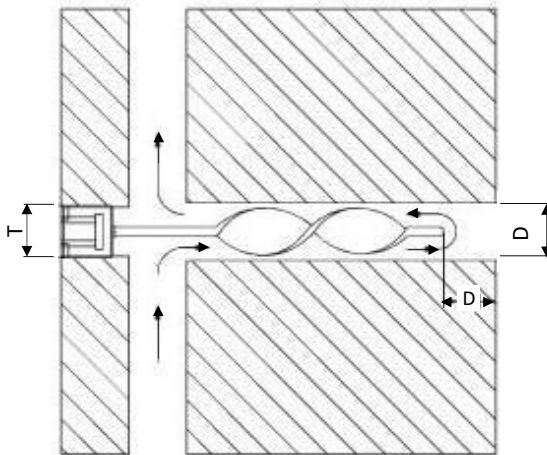
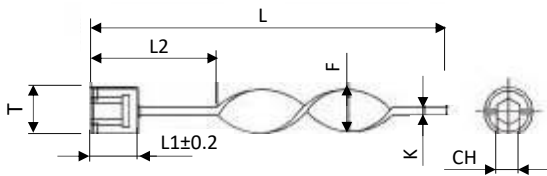
PC2206-06	6	11.5	8	M3	20
PC2206-08	8	11.5	8	M4	20
PC2206-10	10	14	10	M6	20
PC2206-11	11	14	10	M6	15
PC2206-12	12	14	10	M6	15
PC2206-15	15	16	12	M8	10
PC2206-16	16	16	12	M8	10
PC2206-20	20	16	12	M8	10

PC2240 TAPPO OTTONE FILETTATO BSPP O METRICO CON LAMA
BSPP OR METRIC THREADED BRASS PLUG BAFFLE



Codice-Code	CH	∅D	F	K	L	L1	∅T
PC2240-G18-100	5	8.5	8.2	1.6	100	8	G 1/8"
PC2240-G18-120	5	8.5	8.2	1.6	120	8	G 1/8"
PC2240-G18-150	5	11.5	8.2	1.6	150	8	G 1/8"
PC2240-G18-175	5	11.5	8.2	1.6	175	8	G 1/8"
PC2240-G18-200	5	11.5	8.2	1.6	200	8	G 1/8"
PC2240-G14-100	7	11.5	11.2	1.6	100	8	G 1/4"
PC2240-G14-120	7	11.5	11.2	1.6	120	10	G 1/4"
PC2240-G14-150	7	11.5	11.2	1.6	150	10	G 1/4"
PC2240-G14-175	7	11.5	11.2	1.6	175	10	G 1/4"
PC2240-G14-200	7	11.5	11.2	1.6	200	10	G 1/4"
PC2240-G14-225	7	11.5	11.2	1.6	225	10	G 1/4"
PC2240-G14-250	7	11.5	11.2	1.6	250	10	G 1/4"
PC2240-G38-100	8	15	14.7	2.4	100	10	G 3/8"
PC2240-G38-150	8	15	14.7	2.4	150	10	G 3/8"
PC2240-G38-175	8	15	14.7	2.4	175	10	G 3/8"
PC2240-G38-200	8	15	14.7	2.4	200	10	G 3/8"
PC2240-G38-225	8	15	14.7	2.4	225	10	G 3/8"
PC2240-G38-250	8	15	14.7	2.4	250	10	G 3/8"
PC2240-G38-275	8	15	14.7	2.4	275	10	G 3/8"
PC2240-G38-300	8	15	14.7	2.4	300	10	G 3/8"
PC2240-G12-203	10	18.5	18.2	2.4	203	10	G 1/2"
PC2240-G12-400	10	18.5	18.2	2.4	400	10	G 1/2"
PC2240-G34-300	12	23.5	23.2	3.2	300	12	G 3/4"
PC2240-G34-500	12	23.5	23.2	3.2	500	12	G 3/4"
PC2240-G1-406	14	28.5	28.2	3.2	406	12	G 1"
PC2240-G1-610	14	28.5	28.2	3.2	610	12	G 1"
PC2240-M8-100	4	6	5.8	1.6	100	8	M8x0.75
PC2240-M8-200	4	6	5.8	1.6	200	8	M8x0.75
PC2240-M10-100	5	8	7.8	1.6	100	8	M10x1
PC2240-M10-125	5	8	7.8	1.6	125	8	M10x1
PC2240-M10-200	5	8	7.8	1.6	200	8	M10x1
PC2240-M12-100	6	10	9.8	2.4	125	8	M12x1.5
PC2240-M12-125	6	10	9.8	2.4	125	8	M12x1.5
PC2240-M12-200	6	10	9.8	2.4	200	8	M12x1.5
PC2240-M16-150	8	14	13.8	2.4	150	10	M16x1.5
PC2240-M16-300	8	14	13.8	2.4	300	10	M16x1.5
PC2240-M20-150	10	18	17.8	2.4	150	10	M20x1.5
PC2240-M20-300	10	18	17.8	2.4	300	10	M20x1.5
PC2240-M24-150	10	20	19.8	2.4	150	12	M24x2
PC2240-M24-300	10	20	19.8	2.4	300	12	M24x2

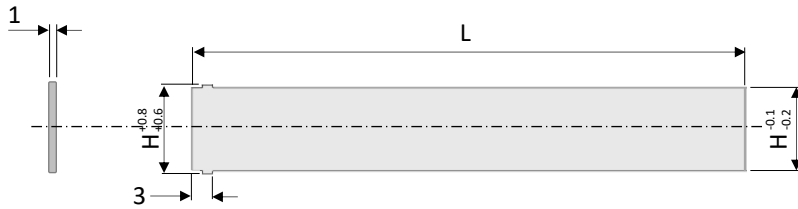
PC2241 TAPPO OTTONE FILETTATO BSPP O METRICO CON LAMA ELICOIDALE
BSPP OR METRIC THREADED BRASS PLUG SPIRAL BAFFLE



Codice-Code | CH | ØD | K | L | L1 | L2 | ØT

PC2241-G18-100	5	11.5	1.6	100	8	51	G 1/8"
PC2241-G18-120	5	11.5	1.6	120	8	102	G 1/8"
PC2241-G18-150	5	11.5	1.6	150	8	102	G 1/8"
PC2241-G18-175	5	11.5	1.6	175	8	102	G 1/8"
PC2241-G18-200	5	11.5	1.6	200	8	102	G 1/8"
PC2241-G14-100	7	11.5	2.4	100	8	51	G 1/4"
PC2241-G14-120	7	11.5	2.4	120	10	102	G 1/4"
PC2241-G14-150	7	11.5	2.4	150	10	102	G 1/4"
PC2241-G14-175	7	11.5	2.4	175	10	102	G 1/4"
PC2241-G14-200	7	11.5	2.4	200	10	102	G 1/4"
PC2241-G14-225	7	11.5	2.4	225	10	102	G 1/4"
PC2241-G14-250	7	11.5	2.4	250	10	102	G 1/4"
PC2241-G38-150	8	15	2.4	150	10	51	G 3/8"
PC2241-G38-175	8	15	2.4	175	10	102	G 3/8"
PC2241-G38-200	8	15	2.4	200	10	102	G 3/8"
PC2241-G38-225	8	15	2.4	225	10	102	G 3/8"
PC2241-G38-250	8	15	2.4	250	10	102	G 3/8"
PC2241-G38-275	8	15	2.4	275	10	102	G 3/8"
PC2241-G38-300	8	15	2.4	300	10	102	G 3/8"
PC2241-G12-203	10	18.5	2.4	203	10	76	G 1/2"
PC2241-G34-300	12	23.5	3.2	300	12	102	G 3/4"
PC2241-M8-100	4	6	1.6	100	8	50	M8x0.75
PC2241-M8-200	4	6	1.6	200	8	100	M8x0.75
PC2241-M10-100	5	8	1.6	100	8	50	M10x1
PC2241-M10-200	5	8	1.6	200	8	100	M10x1
PC2241-M12-125	6	10	2.4	125	8	50	M12x1.5
PC2241-M12-250	6	10	2.4	250	8	100	M12x1.5
PC2241-M14-150	8	12	2.4	150	10	50	M14x1.5
PC2241-M16-150	8	14	2.4	150	10	50	M16x1.5
PC2241-M16-300	8	14	2.4	300	10	100	M16x1.5
PC2241-M20-150	10	18	2.4	150	10	50	M20x1.5
PC2241-M20-300	10	18	2.4	300	10	100	M20x1.5
PC2241-M24-150	10	20	3.2	150	12	50	M24x2
PC2241-M24-300	10	20	3.2	300	12	100	M24x2

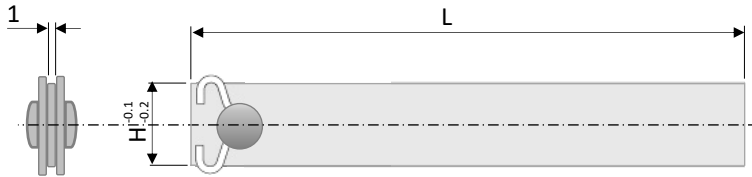
PC2266 LAMA ACCIAIO INOX AUTO SERRANTE
STAINLESS STEEL SELF LOCKING BAFFLE



Codice-Code	H	L
-------------	---	---

PC2266-10-500-S	10	500
PC2266-12-200-S	12	200
PC2266-14-200-S	14	200
PC2266-16-150-S	16	150
PC2266-16-300-S	16	300
PC2266-20-300-S	20	300
PC2266-25-300-S	25	300

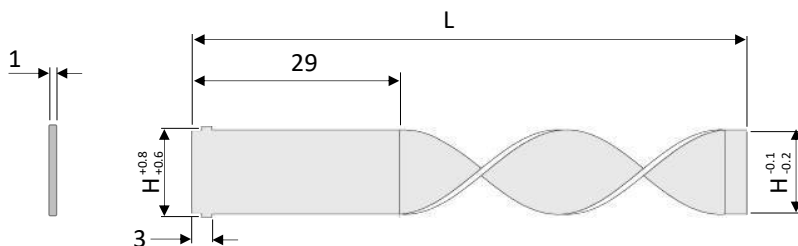
PC2268 LAMA ACCIAIO INOX AUTO SERRANTE CON MOLLA
STAINLESS STEEL SELF LOCKING BAFFLE WITH SPRING



Codice-Code	H	L
-------------	---	---

PC2268-10-200-S	10	200
PC2268-12-200-S	12	200
PC2268-14-200-S	14	200
PC2268-16-300-S	16	300
PC2268-20-400-S	20	400
PC2268-25-600-S	25	600

PC2269 LAMA A SPIRALE ACCIAIO INOX AUTO SERRANTE
STAINLESS STEEL SELF LOCKING SPIRAL BAFFLE



Codice-Code	H	L
-------------	---	---

PC2269-16-450-S	16	450
PC2269-20-300-S	20	300
PC2269-20-450-S	20	450
PC2269-25-300-S	25	300

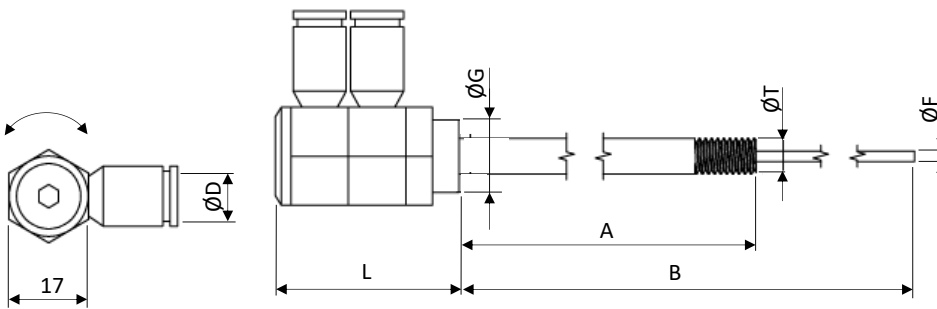
PC2280-G

SISTEMA DI RAFFREDDAMENTO JET-COOLER ORIENTABILE PER PRESSOFUSIONE
DIE CASTING COOLING SYSTEM SWIVEL JET-COOLER



Sistema di raffreddamento per punzoni su stampi di pressofusione. Pressione max. 30 Bar (16 Bar con raccordi push-in pneumatici); Temperatura max. 200°C con olio diatermico ed acqua non pressurizzata). Lunghezze personalizzabili fino ad 1 mt. Fornito standard con raccordi push-in pneumatici a scelta per tubo Ø4 o 6 mm., ma utilizzabili con qualsiasi tipo di raccordo compatibilmente con il filetto di raccordatura del corpo da M5.

Cooling system for die-casting mould cores. Max. pressure 30 Bar (16 Bar with pneumatic push-in fittings); Max. temperature 200°C with diathermic oil and unpressurized water). Customizable lengths up to 1 meter. Supplied as standard with pneumatic push-in fittings for Ø4 or 6 mm. hose, but can be used with any type of fitting according the M5 female thread of the body.

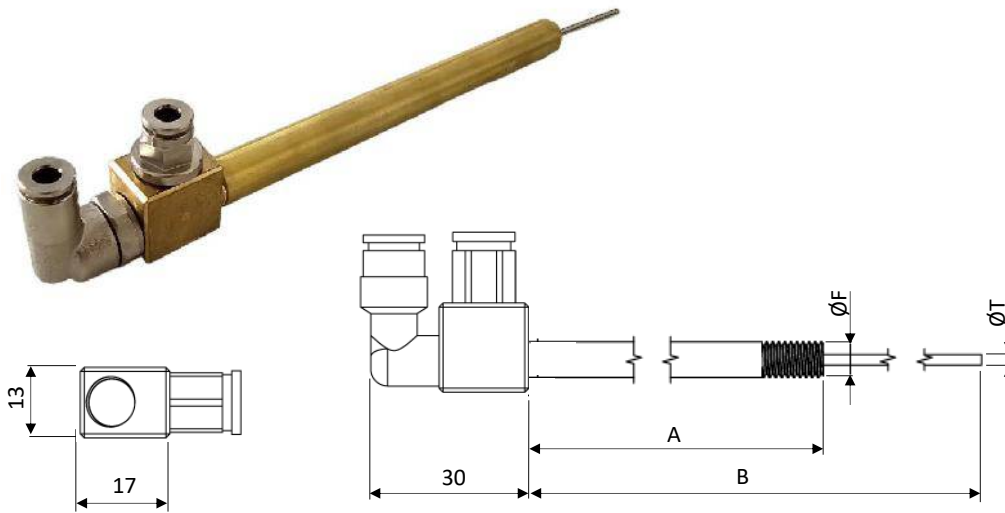


Specificare lunghezza mm. fra 0010 e 1000
Specify length between 0010 and 1000 mm.

Codice-Code	A	B	ØD tubo hose	ØF	ØT	Torque T				
PC2280-G0404-12-A -B	0010-1000	0010-1000	4	1.2	M4	2-3 NM				
PC2280-G0404-18-A -B				1.8						
PC2280-G0404-23-A -B				2.3						
PC2280-G0406-12-A -B			6	1.2		M4	2-3 NM			
PC2280-G0406-18-A -B				1.8						
PC2280-G0406-23-A -B				2.3						
PC2280-G0604-12-A -B			4	0010-1000	4		1.2	M6	2.5-3.5 NM	
PC2280-G0604-18-A -B							1.8			
PC2280-G0604-23-A -B							2.3			
PC2280-G0606-12-A -B					6	1.2	M6		2.5-3.5 NM	
PC2280-G0606-18-A -B						1.8				
PC2280-G0606-23-A -B						2.3				
PC2280-G0804-12-A -B			4		0010-1000	4		1.2	M8	2.5-3.5 NM
PC2280-G0804-18-A -B								1.8		
PC2280-G0804-23-A -B								2.3		
PC2280-G0806-12-A -B						6	1.2	M8		2.5-3.5 NM
PC2280-G0806-18-A -B							1.8			
PC2280-G0806-23-A -B							2.3			
PC2280-G1004-12-A -B			4	0010-1000		4	1.2		M10	3.5-4 NM
PC2280-G1004-18-A -B							1.8			
PC2280-G1004-23-A -B							2.3			
PC2280-G1006-12-A -B						6	1.2	M10		3.5-4 NM
PC2280-G1006-18-A -B							1.8			
PC2280-G1006-23-A -B							2.3			

PC2280-F

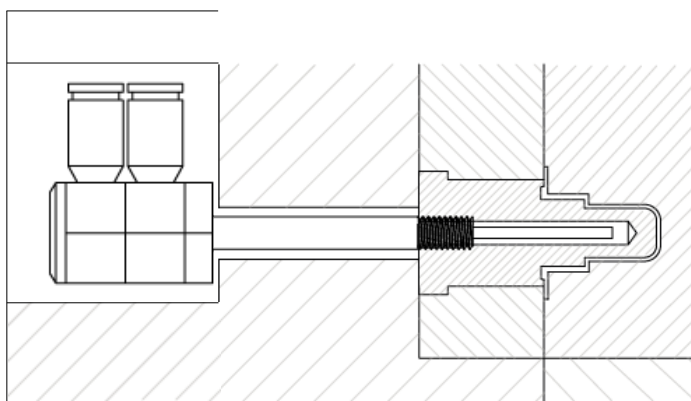
SISTEMA DI RAFFREDDAMENTO JET-COOLER FISSO PER PRESSOFUSIONE
DIE CASTING COOLING SYSTEM FIX JET-COOLER



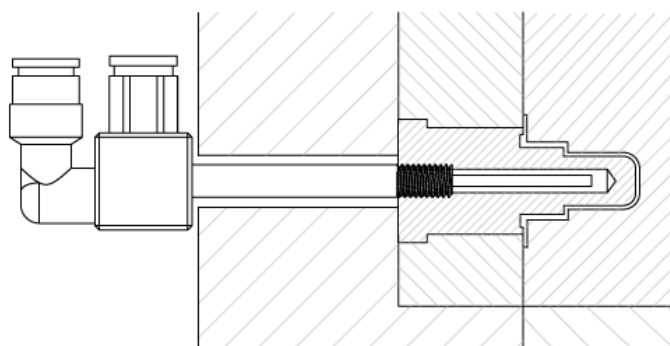
Specificare lunghezza mm. fra 0010 e 1000
Specify length between 0010 and 1000 mm.

Codice-Code	A	B	ØD tubo hose	ØF	ØG	L	ØT	Torque T									
PC2280-F0404-12-A -B	0010-1000	0010-1000	4	1.2	-	35.5	M4	2-3 NM									
PC2280-F0404-18-A -B				1.8													
PC2280-F0404-23-A -B			2.3														
PC2280-F0406-12-A -B			6	1.2													
PC2280-F0406-18-A -B				1.8													
PC2280-F0406-23-A -B			2.3														
PC2280-F0604-12-A -B			4	1.2				14	41.5	M6	2.5-3.5 NM						
PC2280-F0604-18-A -B				1.8													
PC2280-F0604-23-A -B			2.3														
PC2280-F0606-12-A -B			6	1.2													
PC2280-F0606-18-A -B				1.8													
PC2280-F0606-23-A -B			2.3														
PC2280-F0804-12-A -B			4	1.2							14	41.5	M8	2.5-3.5 NM			
PC2280-F0804-18-A -B				1.8													
PC2280-F0804-23-A -B			2.3														
PC2280-F0806-12-A -B			6	1.2													
PC2280-F0806-18-A -B				1.8													
PC2280-F0806-23-A -B			2.3														
PC2280-F1004-12-A -B			4	1.2										14	41.5	M10	3.5-4 NM
PC2280-F1004-18-A -B				1.8													
PC2280-F1004-23-A -B			2.3														
PC2280-F1006-12-A -B			6	1.2													
PC2280-F1006-18-A -B				1.8													
PC2280-F1006-23-A -B			2.3														

ESEMPIO APPLICAZIONE PC2244-G
PC2244-G APPLICATION SAMPLE



ESEMPIO APPLICAZIONE PC2244-F
PC2244-F APPLICATION SAMPLE



ACCESSORI E RICAMBI – ACCESSORIES AND SPARE PARTS



PC2280-CD

KIT CHIAVE DINAMOMETRICA CON BUSSOLA SPECIALE 2-24 NM
TORQUE WRENCH KIT WITH SPECIAL SOCKET 2-24 NM



PC2280-B

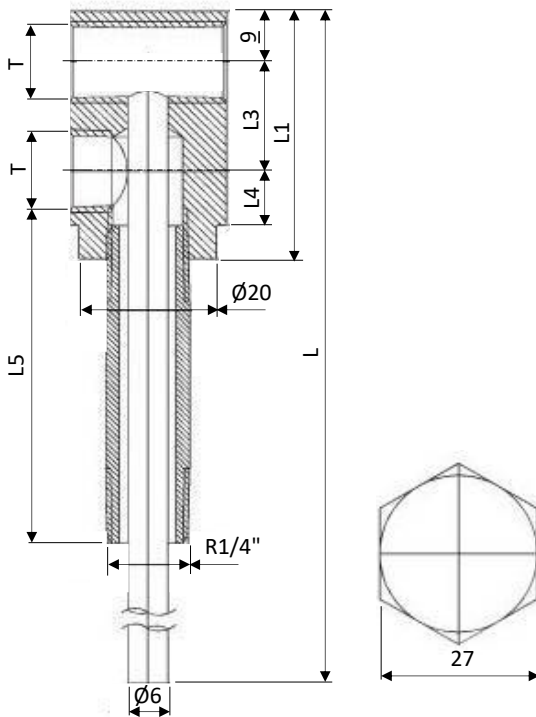
BUSSOLA SPECIALE PER JET-COOLER PER CHIAVE DINAMOMETRICA
JET-COOLER SPECIAL SOCKET FOR TORQUE WRENCH



PC2280-OR

O-RINGS FKM PER JET-COOLER – JET-COOLER FKM O-RING

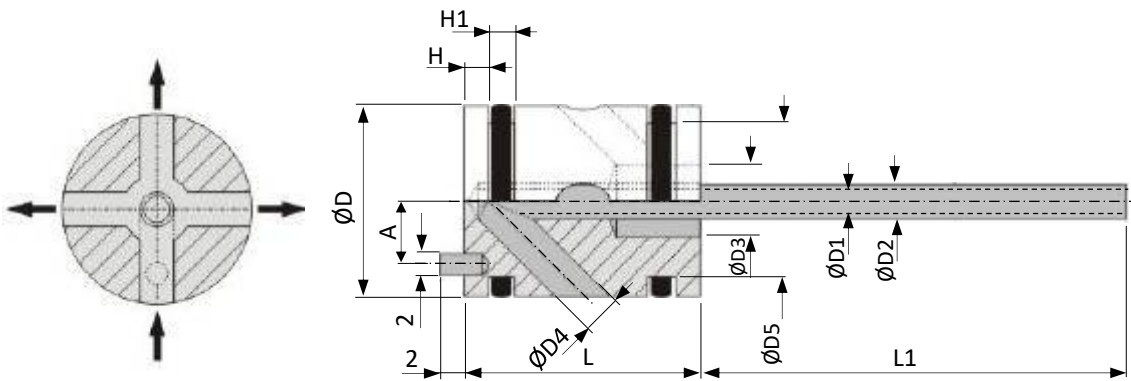
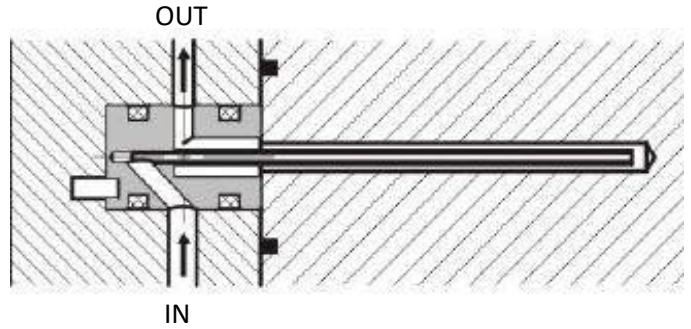
PC2244 RAFFREDDATORE A FONTANA IN OTTONE E ACCIAIO ZINCATO
BRASS AND GALVANIZED STEEL COOLING CASCADE



Codice-Code	L	L1	L3	L4	L5	ØT
PC2244-19-G18-050	356	42	19	9	50	G1/8"
PC2244-19-G18-100	356	42	19	9	100	G1/8"
PC2244-19-G18-150	356	42	19	9	150	G1/8"
PC2244-19-G18-200	356	42	19	9	200	G1/8"
PC2244-26-G18-050	362	54	26	12	50	G1/8"
PC2244-26-G18-100	362	54	26	12	100	G1/8"
PC2244-26-G18-150	362	54	26	12	150	G1/8"
PC2244-26-G18-200	362	54	26	12	200	G1/8"
PC2244-19-G14-050	356	42	19	9	50	G1/4"
PC2244-19-G14-100	356	42	19	9	100	G1/4"
PC2244-19-G14-150	356	42	19	9	150	G1/4"
PC2244-19-G14-200	356	42	19	9	200	G1/4"
PC2244-26-G14-050	362	54	26	12	50	G1/4"
PC2244-26-G14-100	362	54	26	12	100	G1/4"
PC2244-26-G14-150	362	54	26	12	150	G1/4"
PC2244-26-G14-200	362	54	26	12	200	G1/4"

PC2270

RAFFREDDATORE A FONTANA CIRCUITO IN SERIE
COOLING CASCADE FOR SERIAL CIRCUIT

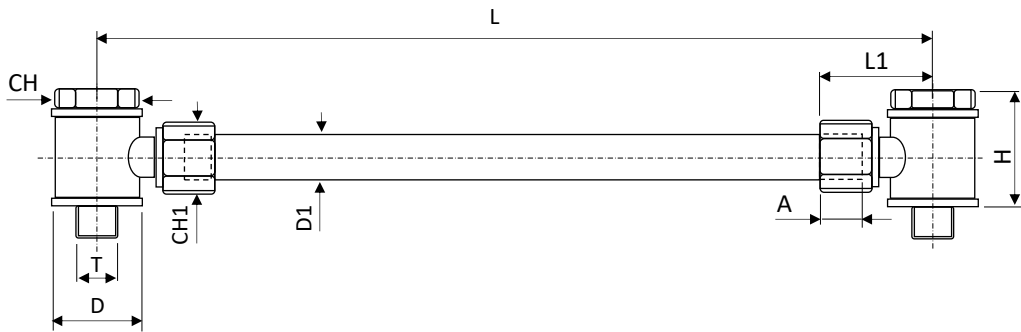


CARATTERISTICHE TECNICHE
 Tubetto in acciaio nichelato
 Corpo in ottone nichelato
 O-Rings in NBR

TECHNICAL FEATURES
 Nickel plated steel tube
 Nickel plated brass body
 NBR O-Rings

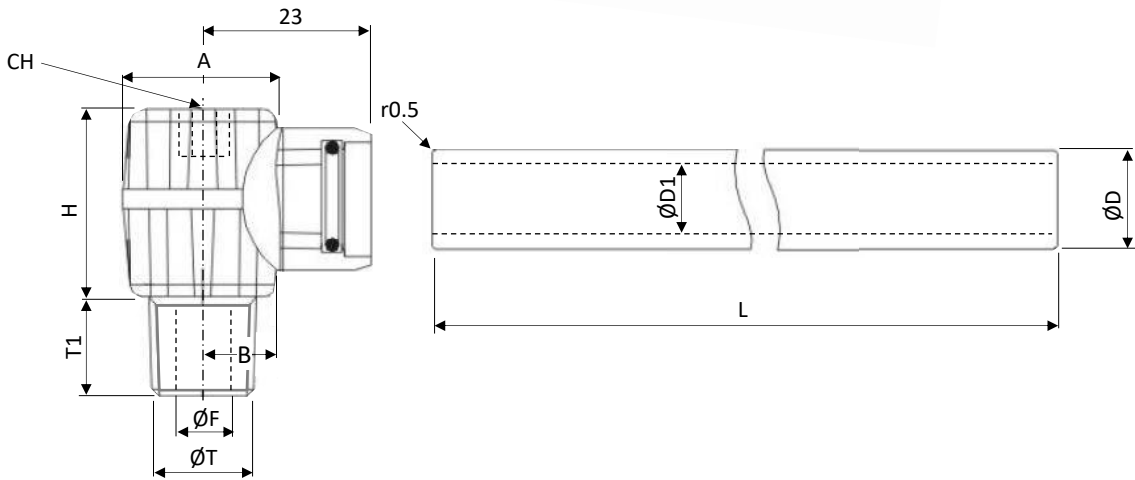
Codice-Code	A	D1	D	D2	D3	D4	D5	H	H1	L	L1
PC2270-10-008-150	3	0.8	10	1.3	4	2	7.15	2.1	2.2	150	15
PC2270-10-120-150	3	1.2	10	1.6	4	2	7.15	2.1	2.2	150	15
PC2270-10-180-150	3	1.8	10	2.4	4	2	7.15	2.1	2.2	150	15
PC2270-16-120-200	5.5	1.2	16	1.6	6	3	13	2.2	2.4	200	20
PC2270-16-180-200	5.5	1.8	16	2.4	6	3	13	2.2	2.4	200	20
PC2270-16-250-200	5.5	2.5	16	3.3	6	3	13	2.2	2.4	200	20
PC2270-25-320-200	9.8	3.2	25	4	12	7	22	3.2	2.4	200	30
PC2270-25-400-200	9.8	4	25	5	12	7	22	3.2	2.4	200	30
PC2270-25-500-200	9.8	5	25	6	12	7	22	3.2	2.4	200	30
PC2270-25-700-200	9.8	7	25	8	12	7	22	3.2	2.4	200	30

PA1712A DEVIATORE ESTERNO A PONTE 160°C
BRIDGE DIVERTING 160°C



Codice-Code	A min-max	CH	CH1	∅D	∅D1	H	L	L1	∅T	Max Bar
PA1712A-06-G18-100	9-11	14	12	16	6x4	23.5	100	26	G1/8"	15
PA1712A-06-G18-150					6x4		150			
PA1712A-06-G18-200					6x4		200			
PA1712A-06-G18-250					6x4		250			
PA1712A-08-G14-100	10-12	17	14	20.5	8x6	24.5	100	29	G1/4"	
PA1712A-08-G14-150					8x6		150			
PA1712A-08-G14-200					8x6		200			
PA1712A-08-G14-250					8x6		250			
PA1712A-08-G14-400					8x6		400			

PC2273 DEVIATORE ESTERNO A PONTE 80°C
80°C BRIDGE DIVERTING



Codice-Code	A	B	CH	ØD	ØD1	H	ØF	L	ØT	T1
PC2273-08-G18-L300	21	8.7	6	8	6	26	5	300	G1/8"	9
PC2273-08-G18-L500	21	8.7	6	8	6	26	5	500	G1/8"	9
PC2273-08-G14-L300	21	8.7	6	8	6	26	6	300	G1/4"	9
PC2273-08-G14-L500	21	8.7	6	8	6	26	6	500	G1/4"	9
PC2273-12-G14-L300	25	11.2	8	12	10	30	9	300	G1/4"	9
PC2273-12-G14-L500	25	11.2	8	12	10	30	9	500	G1/4"	9
PC2273-12-G38-L300	25	11.2	8	12	10	30	9	300	G3/8"	9
PC2273-12-G38-L500	25	11.2	8	12	10	30	9	500	G3/8"	9



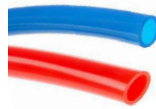
LUBRIFICANTE
SILICONICO P. 156
SILICON GREASE P. 156



ATTREZZO PER
INSERIZIONE TUBI P.156
HOSE FITTING TOOL P.156

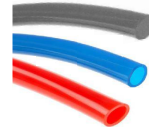
PA4200

PU 60°C
Push-in



PA4250

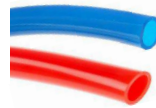
PU-HT 80°C
Push-in



172

PA4300

PA12 80°C
Push-in



PA4400

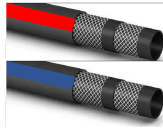
PTFE 260°C
Push-in



173

PC4100

PVC 60°C



PC4150

PVC 60°C



174

PC4201

NBR 90°C



PC4202

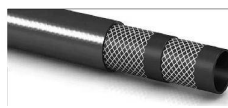
NBR 100°C



175

PC4400

EPDM
E-LOCK 100°C



PC4250

EPDM 120°C



176

PC4450

EPDM
E-LOCK 140°C



PC4300

EPDM 165°C



177

178



PC4800

SILICON 180°C

PC4350

EPDM 203°C



179

180



PC4600

PTFE 260°C

PTFE 260°C CORRUGATO
CONVOLUTED



181

182



PC4700

NBR 90°C

PC4750

EPDM 100°C



183

184



PC4860

INOX 500°

PH4100

R2AT NBR 100°C



185

186



PH4150

R1AT NBR 100°C

PC4950 – PC4960

ASPIRAZIONE PU
DUCTER PU



187

188



TUBI RACCORDATI
A MISURA
CUSTOM HOSES

GUAINE PROTEZIONE
HOSE PROTECTIONS



190

191



MARCATURA E
STAFFAGGIO
HOSE MARKING
AND CLAMPING

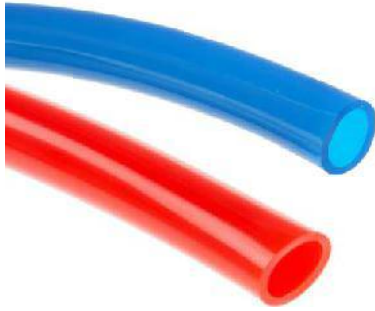
PC5400
FUNI DI SICUREZZA
SAFETY WIRE



192

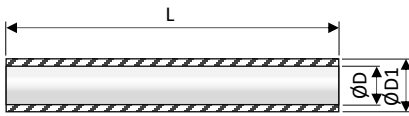
PA4200 TUBO FLESSIBILE **POLIURETANO** PER INNESTI RAPIDI PNEUMATICI 60°C
POLYURETHANE HOSE FOR PNAUMETIC QUICK-COUPINGS 60°C

PUET



Tubo flessibile in Poliuretano a base Polietere FDA per innesti rapidi pneumatici. Alta flessibilità e buone tolleranze. Durezza 52 A Shore. Prodotto secondo la direttiva 2002/95/EC, e 2011/65/EU

Polyurethane hose on polyether FDA basis has a high flexibility at low temperatures and a good tolerance to wear and tear & chemicals. HARDNESS Shore 52 A.



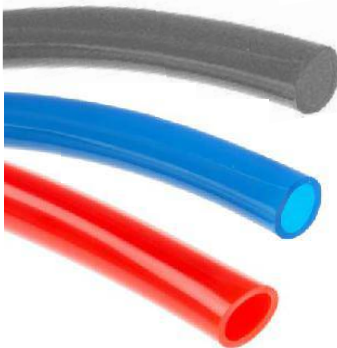
Raccordatura raccomandata - tutti i raccordi push-in pneumatici
Recommended clamping - all push-in pneumatic quick couplings



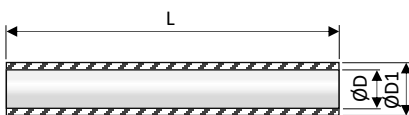
Codice-Code	ØD	ØD1	r min 23°C	Max Working Bar 34°C	Max Burst Bar	L std. mt.	Colore Color
PA4200-06-B-050	4 ±0,1	6	15	11	34	50	Blue
PA4200-06-R-050	4 ±0,1	6	15	11	34	50	Red
PA4200-08-B-050	6 ±0,1	8	25	10	31	50	Blue
PA4200-08-R-050	6 ±0,1	8	25	10	31	50	Red
PA4200-10-B-050	7 ±0,1	10	40	9	27	50	Blue
PA4200-10-R-050	7 ±0,1	10	40	9	27	50	Red
PA4200-12-B-050	8 ±0,15	12	35	10	32	50	Blue
PA4200-12-R-050	8 ±0,15	12	35	10	32	50	Red
PA4200-14-B-050	10 ±0,15	14	55	8	25	50	Blue
PA4200-14-R-050	10 ±0,15	14	55	8	25	50	Red
PA4200-16-B-050	11 ±0,15	16	55	9	27	50	Blue
PA4200-16-R-050	11 ±0,15	16	55	9	27	50	Red

PA4250 TUBO FLESSIBILE **PU ALTA TEMPERATURA** PER INNESTI RAPIDI PNEUMATICI
HIGH TEMPERATURE PU HOSE FOR PNAUMETIC QUICK-COUPINGS

PU-HT



Tubo in Poliuretano HT. Tubo studiato per **lavorare in continuo con temperature fino a 80°C** con maggiore resistenza meccanica e flessibilità rispetto al tubo in PA12. Utilizzo con aria compressa ed acqua - High temperature PU hose. Able to work continuously with temperatures up to 80°C and with higher flexibility and mechanical resistance comparing PA12 hoses. For compressed air and water.



Raccordatura raccomandata - tutti i raccordi push-in pneumatici
Recommended clamping - all push-in pneumatic quick couplings



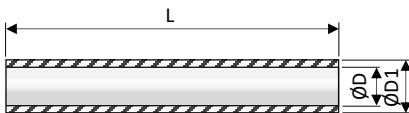
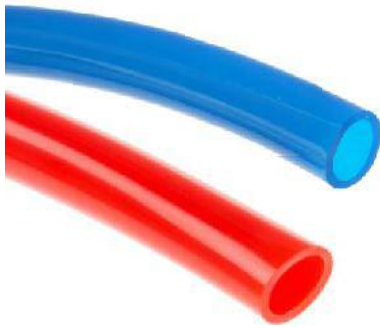
Codice-Code	ØD	ØD1	r min	Max Working Bar 34°C	Max Burst Bar	L std. mt.	Colore Color
PA4250-06-N-100						100	Black
PA4250-06-B-100	4	6	18	12	34	100	Blue
PA4250-06-R-100						100*	Red
PA4250-08-N-100						100	Black
PA4250-08-B-100	5.7	8	27	11	32	100	Blue
PA4250-08-R-100						100*	Red
PA4250-10-N-100						25	Black
PA4250-10-B-100	7.5	10	45	10	26	25	Blue
PA4250-10-R-100						25*	Red
PA4250-12-N-100						25	Black
PA4250-12-N-100	9	12	55	9	26	25	Blue
PA4250-12-N-*						25*	Red

Tubo rosso quantità minima 500 mt. Consegna 6 settimane. Red hose min. quantity 500 mt. Delivery time 6 weeks

PA4300

TUBO FLESSIBILE POLIAMMIDE PER INNESTI RAPIDI PNEUMATICI 80°C
POLYAMMIDE HOSE FOR PNAUMETIC QUICK-COUPPLINGS 80°C

PA12



Raccordatura raccomandata - tutti i raccordi push-in pneumatici
Recommended clamping - all push-in pneumatic quick couplings



Tubo flessibile in Poliammide per innesti rapidi pneumatici. Alta flessibilità, buona resistenza ad alte temperature. Durezza 65 A Shore.

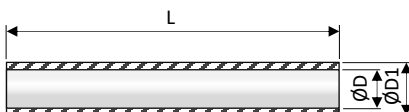
Polyamide hose with a high flexibility at low temperatures and a high resistance to mechanical stress and high temperature. Hardness Shore 65 A.

Codice-Code	ØD	ØD1	r min	Max Working Bar 34°C	Max Burst Bar	L std. mt.	Colore Color
PA4300-06-B-100	4 ±0,1	6	30	27	81	100	Blue
PA4300-06-R-100	4 ±0,1				81	100	Red
PA4300-06-T-100	4 ±0,1				81	100	White
PA4300-08-B-100	6 ±0,1	8	40	20	60	100	Blue
PA4300-08-R-100	6 ±0,1				60	100	Red
PA4300-08-T-100	6 ±0,15				60	100	White
PA4300-10-B-050	8 ±0,15	10	60	45	60	50	Blue
PA4300-10-R-025	8 ±0,15				60	50	Red
PA4300-10-T-050	8 ±0,15				60	50	White
PA4300-12-B-050	10 ±0,15	12	85	39	60	50	Blue
PA4300-12-R-050	10 ±0,15				60	50	Red
PA4300-12-T-050	10 ±0,15				60	50	White
PA4300-14-B-050	12 ±0,15	14	90	33	90	50	Blue
PA4300-14-R-050	12 ±0,15				90	50	Red
PA4300-14-T-050	12 ±0,15				90	50	White

PA4400

TUBO FLESSIBILE PTFE PER INNESTI RAPIDI PNEUMATICI 260°C
PTFE HOSE FOR PNAUMETIC QUICK-COUPPLINGS 260°C

PTFE



Raccordatura raccomandata - tutti i raccordi push-in pneumatici
Recommended clamping - all push-in pneumatic quick couplings



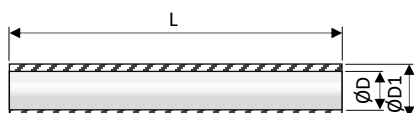
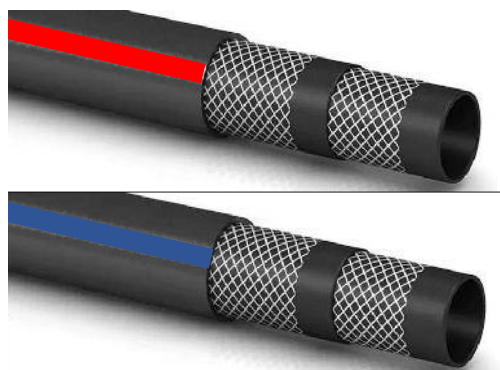
Tubo flessibile in Teflon per innesti rapidi pneumatici. Adatto ad uso ad altissima temperatura per vari tipi di fluidi e nel campo alimentare. Durezza D70 Shore. Prodotto secondo la direttiva 2002/95/EC, e 2011/65/EU

The PTFE-C hose, suitable for food, is realized with paste extruded PTFE. The high tensile stress and the high electrical and thermic insulate grade allow to our tubings to be used in different applications meeting quality standards like BS, DIN, UNI, AMS. Hardness Shore D70. Products in compliance with the directive 2002/95/EC, and 2011/65/EU

Codice-Code	ØD	ØD1	r min	Max Working Bar 34°C	Max Burst Bar	L std. mt.	Colore Color
PA4400-06-T-025	4 ±0,1	6	15	25	76	25	
PA4400-06-T-050						50	
PA4400-08-T-0250	6 ±0,1	8	30	18	54	25	
PA4400-08-T-050						50	
PA4400-10-T-025	8 ±0,15	10	70	14	42	25	
PA4400-10-T-050						50	
PA4400-12-T-025	10 ±0,15	12	100	12	35	25	
PA4400-14-T-025	12 ±0,15	14	120	10	29	25	
PA4400-16-T-025	13 ±0,2	16	140	9	27	25	

PC4100 TUBO FLESSIBILE RETINATO IN PVC 60°C - PVC HOSE, REINFORCED, 60°C

PVC



Tubo flessibile in PVC con retinatura di rinforzo per aria compressa, acqua e liquidi vari. Prodotto economico ma con prestazioni limitate. Ideale principalmente per le misure e\o colori non disponibili con il tubo PC4201.

PVC hose, reinforced, for compressed air and water applications. Lowest price but with low-tech features. To be considered especially when colour and\or size not available with PC4201.

Codice-Code	ØD		ØD1	max W	max W	r	L std.	colore
	mm	inch		Bar	Bar			
				x40°C	x23°C	min	mt.	colour
PC4100-08-R-100	8	5/16"	13	25	75	-	100	Red
PC4100-08-B-100			14	40	120	-	100	Blue
PC4100-16-R-050	16	5/8"	23	25	75	-	50	Red
PC4100-16-B-050			40	120	-	50	Blue	
PC4100-25-B-050	25	1"	34	40	120	-	50	Blue
PC4100-32-B-050	32	1 1/4"	44	40	120	-	50	Blue

Raccordatura raccomandata - recommended clamping - p. 149-151



Per le misure 10 (3/8") 13 (1/2") e 19 (3/4") rosso e blu riferirsi al PC4201
For sizes 10 (3/8"), 13 (1/2") and 19 (3/4"), red and blue, refer to PC4201



PC2226, PC2228, PC2231, PC2259, PC2248, PC2229, PC2261, PC2237, PC2232, PC2263, PC2256 + Inn. Rapidi - Quick coupling ..03, ..07, ..11

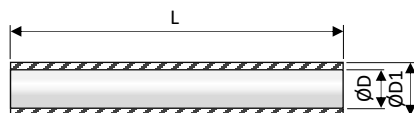
PC4150 TUBO FLESSIBILE RETINATO IN PVC 60°C - PVC HOSE, REINFORCED, 60°C

PVC



Tubo flessibile trasparente (su richiesta colorato-trasparente) in PVC con retinatura di rinforzo per aria compressa, acqua e liquidi vari.

Transparent PVC hose, reinforced, for compressed air and water applications.



Codice-Code	ØD		ØD1	max W	max W	r	L std.	colore
	mm	inch		Bar	Bar			
				x40°C	x23°C	min	mt.	colour
PC4150-06-T-100	6	1/4"	12	20	60	15	100	
PC4150-08-T-100	8	5/16"	14	20	60	26	100	
PC4150-10-T-100	10	3/8"	16	15	45	35	100	
PC4150-13-T-100	13	1/2"	19	10	30	50	100	
PC4150-16-T-050	16	5/8"	22	10	30	62	50	
PC4150-19-T-050	19	3/4"	26	10	30	70	50	
PC4150-25-T-050	25	1"	33	8	24	110	50	
PC4150-32-T-050	32	1 1/4"	41	7	21	195	50	

Raccordatura raccomandata - recommended clamping - p. 149-151



PC2226, PC2228, PC2231, PC2259, PC2248, PC2229, PC2261, PC2237, PC2232, PC2263, PC2256 + Inn. Rapidi - Quick coupling ..03, ..07, ..11

PC4201 TUBO FLESSIBILE RETINATO IN NITRILE PER ACQUA 90°C
NITRILE HOSE, REINFORCED, FOR WATER APPLICATIONS 90°C

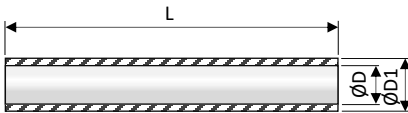
NBR

**Miglior Scelta!
Best Choice!**



Tubo flessibile rosso o blu in Nitrile con retinatura di rinforzo per aria compressa, acqua e liquidi vari. **IDEALE PER IL COLLEGAMENTO DEI CANALI DI CONDIZIONAMENTO SUGLI STAMPI INIEZIONE.**

Nitrile hose, reinforced, for compressed air and water applications. Red or blue. **BEST FOR CONNECTING MOULD CHANNELS ON INJECTION MOULDS.**



Codice-Code	D		ØD1	max	max	r	L std.	colore
	mm	inch		W Bar	B Bar			

PC4201-10-R-050	10	3/8"	16			70	50	Red
PC4201-10-B-050								Blue
PC4201-13-R-050	13	1/2"	19	10	40	90	50	Red
PC4201-13-B-050								Blue
PC4201-19-R-100	19	3/4"	26			-	50	Red
PC4201-19-B-100								Blue

Raccordatura raccomandata - recommended clamping - p. 149-151



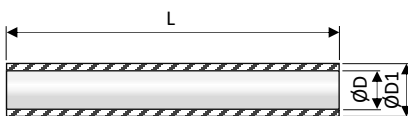
PC2226, PC2228, PC2231, PC2259, PC2248, PC2229, PC2261, PC2237, PC2232, PC2263, PC2256 + Inn. Rapidi - Quick coupling ..03, ..07, ..11

PC4202 TUBO FLESSIBILE RINFORZATO SAE 100 R6 IN NITRILE PER ACQUA ED OLIO 100°C
SAE 100 R6 NITRILE REINFORCED HOSE, FOR WATER AND OIL 100°C

NBR



Tubo flessibile NBR nero retinato per aria compressa, acqua e liquidi vari. Norma: SAE J517 100R6 EN 854. **IDEALE PER IL COLLEGAMENTO DELLE PRESSE INIEZIONE AL CIRCUITO DI RETE** grazie alla robustezza meccanica. - NBR hose, reinforced, for compressed air and water applications. Black colour. Norm: SAE J517 100R6 EN 854. **BEST FOR CONNECTING THE INJECTION MACHINE COOLING CIRCUIT TO THE FACTORY WATER CIRCUIT.**



Codice-Code	ØD		ØD1	max	max	r	L std.	colore
	mm	inch		W Bar	B Bar			

PC4202-06-N-001	6,3	1/4"	13.5			65		Black
PC4202-08-N-001	8	5/16"	15.1			75		Black
PC4202-10-N-001	10	3/8"	16.7	28	112	75		Black
PC4202-13-N-001	13	1/2"	20.6			100	1	Black
PC4202-16-N-001	16	5/8"	23.8	24	96	125		Black
PC4202-19-N-001	19	3/4"	28.8	21	84	150		Black
PC4202-25-N-001	25	1"	33.4	12	48	135		Black

Raccordatura raccomandata - recommended clamping - p. 149-151



PC2226, PC2228, PC2231, PC2259, PC2248, PC2229, PC2261, PC2237, PC2232, PC2263, PC2256 + Inn. Rapidi - Quick coupling ..03, ..07, ..11

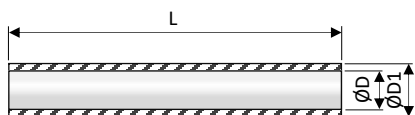
PC4400 TUBO FLESSIBILE EPDM RETINATO **EASY-LOCK** 100°C
EPDM REINFORCED **EASY-LOCK** HOSE 100°C

EPDM



Tubo flessibile retinato in EPDM, per acqua e liquidi vari, con tecnologia Easy-Lock.

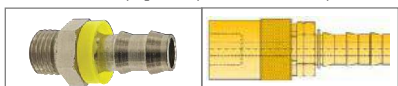
EPDM hose, reinforced, for water applications. Easy-Lock technology.



Codice-Code	ØD		D1	max	max	r min	L	colore
	mm	inch		W	B Bar			

				23°C	23°C			
PC4400-06-N-040	6.3	1/4"	12.8	16	40	45	40	
PC4400-10-N-040	9.5	3/8"	13.5	16	40	75	40	
PC4400-13-N-040	12.7	1/2"	16.6	16	40	90	40	
PC4400-20-N-040	19.3	3/4"	24	16	40	135	40	
PC4400-25-N-040	25.6	1"	30.5	16	40	165	40	

Raccordatura raccomandata - tutti i profili Easy-lock e Pushlock®
Recommended clamping: all Easy-lock and Pushlock® profiles



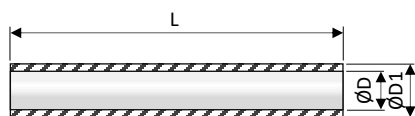
PC4250 TUBO FLESSIBILE EPDM RETINATO 120°C - EPDM REINFORCED HOSE 120°C

EPDM



Tubo flessibile nero retinato in EPDM, per aria compressa, acqua e acqua-glicole. Ideale sia per la distribuzione dei circuiti che per la mandata da e per i distributori.

EPDM hose, reinforced, for compressed air, water and water-glicol applications. Black colour.



Codice-Code	D		ØD1	L std. mt.	max W Bar	max B Bar	L std.	colore
	mm	inch						

PC4250-08-N-040	8	3/8"	15				40	
PC4250-10-N-040	10	3/8"	17				40	
PC4250-13-N-040	13	1/2"	20	40	20	60	40	
PC4250-16-N-040	16	5/8"	24				40	
PC4250-19-N-040	19	3/4"	27				40	
PC4250-25-N-060	25	1"	35				60	
PC4250-32-N-060	32	1"1/4	44	60	10	30	60	
PC4250-38-N-060	38	1"1/2	52				60	

Raccordatura raccomandata - recommended clamping - p. 149-151



PC2226, PC2228, PC2231, PC2259, PC2248, PC2229, PC2261, PC2237, PC2232,
PC2263, PC2256 + Inn. Rapidi - Quick coupling ..03, ..07, ..11

PC4450 TUBO FLESSIBILE EPDM RETINATO **EASY-LOCK** 140°C (*)
EPDM REINFORCED **EASY-LOCK** HOSE 140°C (*)

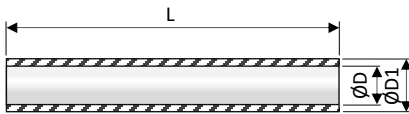
EPDM



Miglior Scelta!
Best Choice!

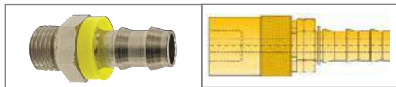
Tubo flessibile retinato in EPDM, per acqua e liquidi vari, con tecnologia Easy-Lock. Temperatura max. di picco 130°C (140°C di picco).

EPDM hose, reinforced, for water applications. Easy-Lock technology. Max peak temperature 130°C. (peak of 140°C).



Codice-Code	ØD		ØD1	max W Bar	max B Bar	r min	L std. mt.	colore colour
	mm.	inch						
PC4450-06-B-050	6.3	1/4"	12	28	112	70	50	
PC4450-06-R-050					112	80		
PC4450-10-B-050	9.5	3/8"	16		112	80		
PC4450-10-R-050				112	100			
PC4450-13-B-050	12.7	1/2"	20	24	96	120		
PC4450-13-R-050					96	140		
PC4450-16-B-050	16	5/8"	23		96	140		
PC4450-16-R-050				96	140			
PC4450-19-B-050	19	3/4"	24.5					
PC4450-19-R-050								

Raccordatura raccomandata - tutti i profili Easy-lock e Pushlock®
Recommended clamping: all Easy-lock and Pushlock® profiles

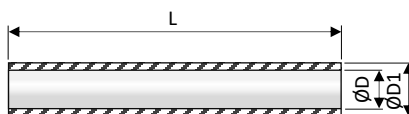


PC4300 TUBO FLESSIBILE EPDM RETINATO 165°C - EPDM REINFORCED HOSE 165°C

EPDM



Tubo flessibile retinato in EPDM, per e acqua e liquidi vari.
EPDM hose, reinforced, for water applications.



Codice-Code	D		ØD1	L std. mt.	max W Bar	max B Bar	L std. mt.	colore colour
	mm	inch						
PC4300-10-N-061	10	3/8"	21	60	6	60	61	
PC4300-13-N-061	13	1/2"	24					
PC4300-16-N-061	16	5/8"	27					
PC4300-19-N-061	19	3/4"	31					
PC4300-25-N-061	25	1"	37					

Raccordatura raccomandata - recommended clamping - p. 149-151

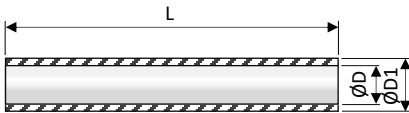


PC2226, PC2228, PC2231, PC2259, PC2248, PC2229, PC2261, PC2237, PC2232,
PC2263, PC2256 + Inn. Rapidi - Quick coupling ..03, ..07, ..11

PC4800 TUBO FLESSIBILE IN SILICONE CON TRECCIA INOX 200°C
 SILICON HOSE WITH STAINLESS STEEL BRAID 200°C
SILICON

Tubo flessibile in silicone con treccia Inox per acqua e liquidi vari raccordabile con boccole per bassa pressione o fascette tradizionali.

Silicon hose with stainless steel wire braid for water applications. Clamping with traditional hose clips or low pressure ferrules.



Codice-Code	ØD		ØD1	max	max	r min	L std. mt.
	inch	mm		W Bar	B Bar		
PC4800-06-001	1/4"	6	12	5	8	45	1
PC4800-10-001	3/8"	10	17	5	8	55	1

Raccordatura raccomandata - recommended clamping - p. 149-151



PC2226, PC2228, PC2231, PC2259, PC2248, PC2229, PC2261, PC2237, PC2232,
 PC2263, PC2256 + Inn. Rapidi - Quick coupling ..03, ..07, ..11

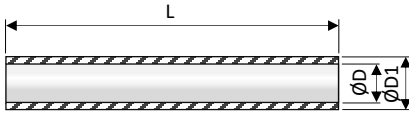
PC4350 TUBO FLESSIBILE EPDM CON TRECCIA ACCIAIO 203°C
EPDM HOSE REINFORCED WITH STEEL BRAID 203°C

EPDM



Sottostrato in gomma nera speciale EPDM resistente al vapore saturo. Rinforzi in fili di acciaio ad alta resistenza. Copertura in gomma rossa EPDM resistente all'abrasione, al calore, agli agenti atmosferici e all'ozono.

Special EPDM rubber tube, smooth, saturated steam resistant. Reinforcement with high strength steel wire yarn. Covered with red, abrasion, heat, weathering and ozone resistant EPDM rubber.



Codice Code	Codice Code	ØD		ØD1	max W Bar	max B Bar	r min	L std.
		inch	mm					
PC4351-038	PC4350-10-061	3/8"	10	21	17	170	-	61
PC4351-012	PC4350-13-061	1/2"	12	25				
PC4351-034	PC4350-19-061	3/4"	19	32				
PC4351-100	PC4350-25-061	1"	25	38				

PC4351

BOCCOLA A PRESSARE IN ACCIAIO ZINCATO
GALVANIZED STEEL SWAGE FERRULE



Sistema raccomandato di raccordatura: alta pressione. Per le misure di raccordatura contattare nostro ufficio tecnico.
Recommended clamping technology: high pressure. For Clamping parameters contact our technical office

TERMINALI SPECIFICI DA ABBINARE AL TUBO IN FUNZIONE DELLA MISURA
SPECIFIC HOSE FITTING TO BE MATCHED TO THE HOSE

PH1001



Acciaio zincato o Inox, pag. 139
Zinc plated or Stainless steel, see page 139

PH1002



Acciaio zincato o Inox, pag. 140
Zinc plated or Stainless steel, see page 140

PH1003



Acciaio zincato o Inox, pag. 143
Zinc plated or Stainless steel, see page 143

PC4600 TUBO FLESSIBILE IN PTFE CON SUPERFICIE INTERNA LISCIA
PTFE HOSE, INNER SMOOTH SURFACE

PTFE

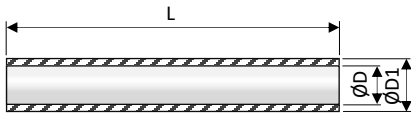


CARATTERISTICHE TECNICHE

Rivestimento trecciatura acciaio inox, per e acqua, olio e liquidi vari.
Range di temperatura di esercizio: -70 / +260°C

TECHNICAL FEATURES

Reinforced with Stainless steel wire braid, for water and oil applications.
Working temperature range: -70 / +260°C



Codice-Code	Codice-Code	ØD		ØD1	r min	max W	max B	L std. mt.
		inch	mm			20°C Bar	20°C Bar	
PC4601-014	PC4600-014-001	1/4"	6.35	9	45	175	700	1
PC4601-038	PC4600-038-001	3/8"	9.5	12.4	55	135	540	1
PC4601-012	PC4600-012-001	1/2"	12.7	15.7	70	120	480	1
PC4601-034	PC4600-034-001	3/4"	19	22.2	190	90	360	1
PC4601-100	PC4600-100-001	1"	25.4	29.3	270	65	260	1

PC4601
BOCCOLA A PRESSARE IN ACCIAIO ZINCATO
GALVANIZED STEEL SWAGE FERRULE



Sistema raccomandato di raccordatura: alta pressione. Per le misure di raccordatura contattare nostro ufficio tecnico.
Recommended clamping technology: high pressure. For Clamping parameters contact our technical office

Per boccola Inox aggiungere -S in fondo al codice
For stainless steel swage ferrule add -S at the end of the code

TERMINALI SPECIFICI DA ABBINARE AL TUBO IN FUNZIONE DELLA MISURA
SPECIFIC HOSE FITTING TO BE MATCHED TO THE HOSE

PH1001



Acciaio zincato o Inox, pag. 139
Zinc plated or Stainless steel, see page 139

PH1002



Acciaio zincato o Inox, pag. 140
Zinc plated or Stainless steel, see page 140

PH1003



Acciaio zincato o Inox, pag. 143
Zinc plated or Stainless steel, see page 143



PC4901

Guaina isolante in vetro-silicone 260°C a p. 190
Silicon-Glass thermal protection 260°C at page 190



PC4650 TUBO PTFE CORRUGATO **EXTRA FLESSIBILE** 260°C
PTFE **EXTRA-FLEXIBLE** HOSE, INNER CORRUGATED PROFILE 260°C

PTFE

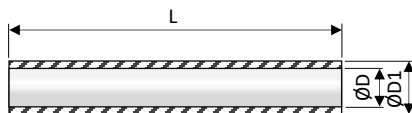


Soluzione raccomandata per temperature oltre 130°C
Recommended Solution for temperature higher than 130°C

CARATTERISTICHE TECNICHE: Rivestimento trecciatura acciaio inox, per e acqua, olio e liquidi vari.

Estruso di PTFE con profilo corrugato per maggiore flessibilità e raggi di piegatura molto ridotti.

TECHNICAL FEATURES: PTFE hose with stainless steel wire braid reinforcement, for water and oil applications. This version is extremely flexible and allows a great curvature.



Codice-Code	Codice-Code	ØD		ØD1	r min	max		L std. mt.
		inch	mm			W Bar	B Bar	
PC4651-014	PC4650-014-001	1/4"	6.9	9.65	18	135	540	1
PC4651-038	PC4650-038-001	3/8"	10.5	16.2	20	125	500	1
PC4651-012	PC4650-012-001	1/2"	13.75	19.7	25	110	440	1
PC4651-034	PC4650-034-001	3/4"	20	27.5	65	70	280	1
PC4651-100	PC4650-100-001	1"	25.9	34.3	90	50	200	1
PC4651-114	PC4650-114-001	1"1/4	32	40.5	125	48	190	1
PC4651-112	PC4650-112-001	1"1/2	38.1	48.3	145	43	172	1

PC4651
BOCCOLA A PRESSARE IN ACCIAIO ZINCATO
GALVANIZED STEEL SWAGE FERRULE



Per boccola Inox aggiungere -S in fondo al codice
For stainless steel swage ferrule add -S at the end of the code

Sistema raccomandato di raccordatura: alta pressione. Per le misure di raccordatura contattare nostro ufficio tecnico.
Recommended clamping technology: high pressure. For Clamping parameters contact our technical office

TERMINALI SPECIFICI DA ABBINARE AL TUBO IN FUNZIONE DELLA MISURA
SPECIFIC HOSE FITTING TO BE MATCHED TO THE HOSE

PH1001



Acciaio zincato o Inox, pag. 139
Zinc plated or Stainless steel, see page 139

PH1002



Acciaio zincato o Inox, pag. 140
Zinc plated or Stainless steel, see page 140

PH1003



Acciaio zincato o Inox, pag. 143
Zinc plated or Stainless steel, see page 143



PC4901

Guaina isolante in vetro-silicone 260°C a p. 190
Silicon-Glass thermal protection 260°C at page 190



PC4700 TUBO FLESSIBILE IN NBR CON TRECCIA ZINCATA 90°C
NBR HOSE WITH GALVANIZED STEEL WIRE BRAID COVER 90°C

NBR

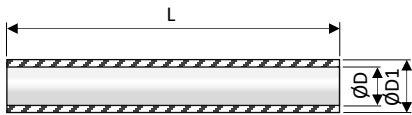


CARATTERISTICHE TECNICHE

Rivestimento trecciatura acciaio zincato, per acqua, olio e liquidi vari.
Range di temperatura di esercizio: -20 / +90°C

TECHNICAL FEATURES

Reinforced with galvanized steel wire braid, for water and oil applications. Working temperature range: -20 / +90°C



Codice-Code	Codice-Code	DN	ØD	ØD1	r min 20°C	max Bar esercizio work 20°C	max Bar scoppio burst	L std. mt.
PC4701-014	PC4700-014-001	1/4"	6	11	30	25	75	100
PC4701-038	PC4700-038-001	3/8"	10	15	50	25	75	100
PC4701-012	PC4700-012-001	1/2"	13	19	65	25	75	100
PC4701-034	PC4700-034-001	3/4"	19	25	95	20	60	50
PC4701-100	PC4700-100-001	1"	25	33	125	15	45	50

PC4701

BOCCOLA A PRESSARE IN ACCIAIO ZINCATO
GALVANIZED STEEL SWAGE FERRULE



Altri metodi di serraggio idonei a pag. 119-121
Other appropriate clamping systems at pag. 119-121

TERMINALI SPECIFICI DA ABBINARE AL TUBO IN FUNZIONE DELLA MISURA
SPECIFIC HOSE FITTING TO BE MATCHED TO THE HOSE

PH1001



Acciaio zincato o Inox, pag. 139
Zinc plated or Stainless steel, see page 139

PH1002



Acciaio zincato o Inox, pag. 140
Zinc plated or Stainless steel, see page 140

PH1003



Acciaio zincato o Inox, pag. 143
Zinc plated or Stainless steel, see page 143



PC4901

Guaina isolante in vetro-silicone 260°C a p. 190
Silicon-Glass thermal protection 260°C at page 190



PC4750 TUBO FLESSIBILE IN EPDM CON TRECCIA ZINCATA
EPDM HOSE WITH GALVANIZED STEEL wire braid cover

EPDM



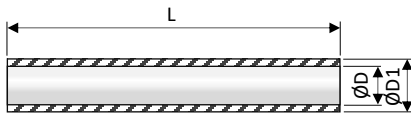
CARATTERISTICHE TECNICHE

rivestimento trecciatura acciaio zincato, per acqua calda. Range di temperatura di esercizio: -30 / +100°C

TECHNICAL FEATURES

reinforced with galvanized steel wire braid, for hot water applications.

Working temperature range: -20 / +100°C



Codice-Code	Codice-Code	DN	ØD	ØD1	r min 20°C	max Bar esercizio work 20°C	max Bar scoppio burst	L std. mt.
PC4701-038	PC4750-038-001	3/8"	10	15	100	25	75	100
PC4701-012	PC4750-012-001	1/2"	13	19	130	25	75	100
PC4701-034	PC4750-034-001	3/4"	19	26	190	20	60	50
PC4701-100	PC4750-100-001	1"	25	33	250	15	45	50
-	PC4750-114-001	1"1/4	32	43	320	10	30	40
-	PC4750-112-001	1"1/2	38	51	380	10	30	30

PC4701

BOCCOLA A PRESSARE IN ACCIAIO ZINCATO
GALVANIZED STEEL SWAGE FERRULE



Altri metodi di serraggio idonei a pag. 119-121
Other appropriate clamping systems at pag. 119-121

TERMINALI SPECIFICI DA ABBINARE AL TUBO IN FUNZIONE DELLA MISURA
SPECIFIC HOSE FITTING TO BE MATCHED TO THE HOSE

PH1001



Acciaio zincato o Inox, pag. 139
Zinc plated or Stainless steel, see page 139

PH1002



Acciaio zincato o Inox, pag. 140
Zinc plated or Stainless steel, see page 140

PH1003



Acciaio zincato o Inox, pag. 143
Zinc plated or Stainless steel, see page 143



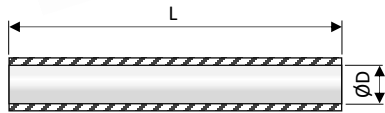
PC4901

Guaina isolante in vetro-silicone 260°C a p. 190
Silicon-Glass thermal protection 260°C at page 190



PC4860

TUBO FLESSIBILE IN AISI 304 CON TRECCIA AISI 304 500°C
 STAINLESS STEEL HOSE WITH STAINLESS STEEL BRAID 500°C

INOX

Tubo flessibile in acciaio inox Aisi 304 con con treccia Aisi 304 per acqua e liquidi vari raccordabile con terminali a saldare.
 Aisi 304 Stainless steel flexible hose with stainless steel braid for water, steam or diathermic oil applications. Clamping with welding fittings.

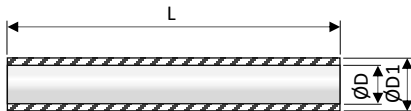
Codice-Code	ØD		max W Bar	max B Bar	r min		L std. mt.
	inch	mm			static	dynamic	
PC4860-06-001	1/4"	6	150	600	25	100	1
PC4860-10-001	3/8"	10	100	400	40	150	1
PC4860-13-001	1/2"	12	80	350	50	200	1
PC4860-16-001	5/8"	16	70	300	50	200	1
PC4860-19-001	3/4"	19	60	250	70	200	1
PC4860-25-001	1"	25	50	200	90	200	1
PC4860-32-001	1"1/4	32	40	160	110	250	1
PC4860-40-001	1"1/2	40	30	120	130	250	1

Il tubo PC4860 richiede specifici terminali a saldare – The PC4860 hose has to be fitted with specific welded fittings.

PH4100 TUBO SAE 100 R2AT PER OLIO E ACQUA AD ALTA PRESSIONE 100°C
SAE 100 R2AT HIGH PRESSURE HOSE FOR OIL AND WATER 100°C



Per cilindri oleodinamici
For Hydraulic Cylinders



Tubi flessibili rinforzati con doppia treccia in acciaio ad alta resistenza, standard SAE 100 R2AT (EN 853 2SN). Adatto ad utilizzo con oli minerali e vegetali, acqua, soluzioni acquose. Substrato in gomma sintetica. Copertura in gomma sintetica nera resistente ad abrasione, oli, carburanti, ozono, agenti atmosferici. Temperatura di esercizio da -40°C a +100°C. Reinforced hoses with double braid in steel, high resistance, SAE 100 R2AT (EN 853 2SN). Adapt for use with mineral and vegetal oil, water, water with additives. Working temperature from -40° to +100°C.

Codice-Code	Codice-Code	ØD		ØD1	max W Bar	max B Bar	r min	L std. mt.	colore colour
		inch	mm						
PH1051-014-Z	PH4100-014-001	1/4"	6.6	14.4	400	1600	100	1	
PH1051-038-Z	PH4100-038-001	3/8"	9.9	18.4	330	1320	125	1	
PH1051-012-Z	PH4100-012-001	1/2"	13	21.4	275	1100	180	1	
PH1051-034-Z	PH4100-034-001	3/4"	19.5	28.6	215	850	240	1	
PH1051-100-Z	PH4100-100-001	1"	26	37.1	165	650	300	1	
PH1051-114-Z	PH4100-114-001	1"1/4	32	46.5	125	500	420	1	
PH1051-112-Z	PH4100-112-001	1"1/2	38	52.8	90	360	500	1	

PH1051

BOCCOLA A PRESSARE ACCIAIO ZINCATO
GALVANIZED STEEL SWAGE FERRULE



TERMINALI SPECIFICI DA ABBINARE AL TUBO IN FUNZIONE DELLA MISURA
SPECIFIC HOSE FITTING TO BE MATCHED TO THE HOSE

PH1001



Acciaio zincato o Inox, pag. 139
Zinc plated or Stainless steel, see page 139

PH1002



Acciaio zincato o Inox, pag. 140
Zinc plated or Stainless steel, see page 140

PH1003



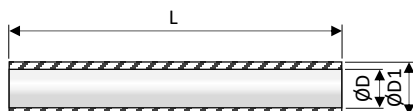
Acciaio zincato o Inox, pag. 143
Zinc plated or Stainless steel, see page 143

PH4150 TUBO SAE 100 R1AT TRECCIA ACCIAIO PER OLIO E ACQUA 100°C MEDIA PRESSIONE
SAE 100 R1AT HOSE, WITH STEEL WIRE BRAID REINFORCEMENT FOR OIL AND WATER 100°C
MEDIUM PRESSURE



Tubo flessibile colore nero con treccia in acciaio di rinforzo e copertura in gomma sintetica resistente ad abrasione, oli, carburanti, agenti atmosferici. Utilizzo con acqua, acqua e glicole, olio minerale, olio diatermico.

Medium pressure hydraulic hose for mineral oil, water, aqueous solutions. Braid of high resistance steel. Black synthetic rubber cover, resistant to abrasion, oils, fuels, ozone, atmospheric agents.



Codice - Code	Codice-Code	ØD		ØD1	max W Bar	max B Bar	r min	L std. mt.	colore colour
		inch	mm						
PH1051-014-Z	PH4150-06-N-001	1/4"	6	13	225	900	100	1	
PH1051-038-Z	PH4150-10-N-001	3/8"	10	16.8	180	720	125	1	
PH1051-012-Z	PH4150-13-N-001	1/2"	13	20	160	640	180	1	
PH1051-034-Z	PH4150-19-N-001	3/4"	19	27.1	105	420	240	1	
PH1051-100-Z	PH4150-25-N-001	1"	25	35.1	88	350	300	1	

PH1051
BOCCOLA A PRESSURE ACCIAIO ZINCATO
GALVANIZED STEEL SWAGE FERRULE



TERMINALI SPECIFICI DA ABBINARE AL TUBO IN FUNZIONE DELLA MISURA
SPECIFIC HOSE FITTING TO BE MATCHED TO THE HOSE

PH1001



Acciaio zincato o Inox, pag. 139
Zinc plated or Stainless steel, see page 139

PH1002



Acciaio zincato o Inox, pag. 140
Zinc plated or Stainless steel, see page 140

PH1003



Acciaio zincato o Inox, pag. 143
Zinc plated or Stainless steel, see page 143

PC4950 TUBO FLESSIBILE PU ANTISTATICO CON SPIRALE IN PVC PER ASPIRAZIONE POLIMERI
ANTI-STATIC PU HOSE WITH PVC HELIX FOR GRANULATES DUCTING

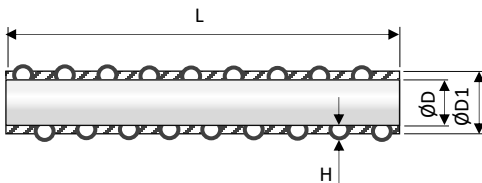


Tubo flessibile in Poliuretano antistatico con spirale in PVC per aspirazione di polveri e granuli abrasivi. Sotto-strato liscio in poliuretano a base etere trasparente antiabrasivo. Spirale in pvc rigido antiurto e cordicella di rame esterna. Copertura in Poliuretano trasparente antiabrasivo. Superficie ondulata.

Temperatura di esercizio -25°C - +85°C

Pvc wire polyurethane hose suitable for suction of granulates and other abrasive materials. Antistatic hose. Reinforcement for impact and crush resistance by orange pvc wire helix and copper wire. Weathering and most chemicals resistant by transparent pvc cover. External surface corrugated.

Working temperature -25°C / +85°C



Codice-Code	ØD	ØD1	H	r min 20°C	max W Bar	L std. mt.
PC4950-025-020	25	24	2	25	0.5	20
PC4950-035-020	35	35	2.5	35	0.4	20
PC4950-040-020	40	46	3	40	0.4	20
PC4950-050-020	50	57	3.5	45	0.4	20
PC4950-060-020	60	68	4	50	0.4	20

PC4960 TUBO FLESSIBILE PU ANTISTATICO CON SPIRALE IN PVC PER ASPIRAZIONE POLIMERI – SERIE PESANTE
ANTI-STATIC PU HOSE WITH PVC HELIX FOR GRANULATES DUCTING – HEAVY DUTIES

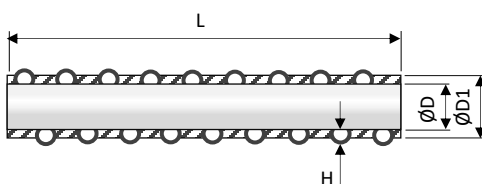


Tubo flessibile in Poliuretano antistatico con spirale in PVC per aspirazione di polveri e granuli abrasivi. Sotto-strato liscio in poliuretano a base etere trasparente antiabrasivo. Spirale in pvc rigido antiurto e cordicella di rame esterna. Copertura in PVC trasparente antiabrasivo. Superficie ondulata.

Temperatura di esercizio -10°C - +60°C

Pvc wire polyurethane hose suitable for suction of granulates and other abrasive materials. Antistatic hose. Reinforcement for impact and crush resistance by orange pvc wire helix and copper wire. PVC External cover. Weathering and most chemicals resistant by transparent pvc cover. External surface corrugated.

Working temperature -10°C / +60°C



Codice-Code	ØD	ØD1	H	r min 20°C	max W Bar	L std. mt.
PC4960-040-030	40	47	3.5	190	5	30
PC4960-050-030	50	58	4	220	5	30
PC4960-060-030	60	68	4	270	5	30

TUBI RACCORDATI A MISURA – CUSTOMIZED HOSES



Opz. Protezione termica
Thermal Protection opt.

Pag. 190

Esempio di codice - Code sample:

PH4100-14-0500-101ZR

lunghezza – lenght mm.

PC4600 – Pag. 180



PC4650 – Pag. 181



PC4700 – Pag. 182



PC4750 – Pag. 183



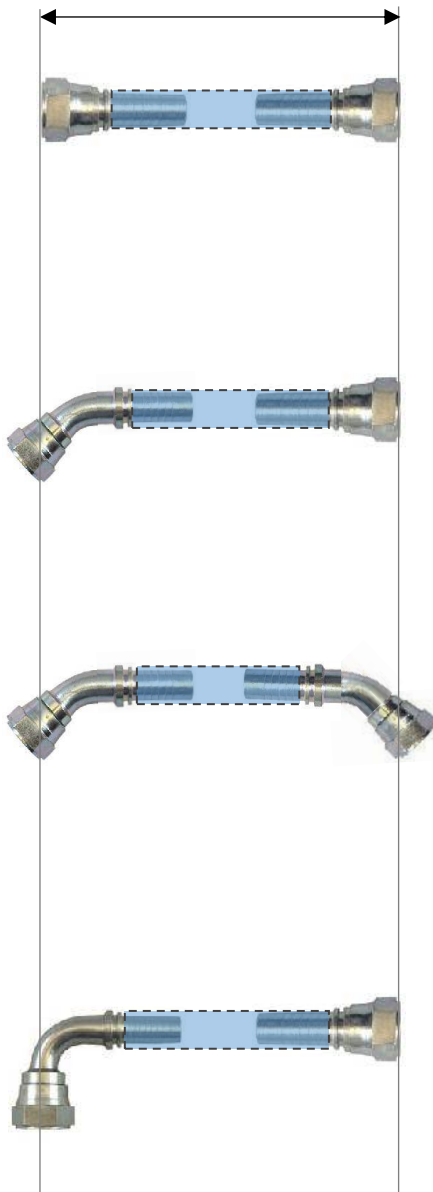
PC4860 – pag. 184



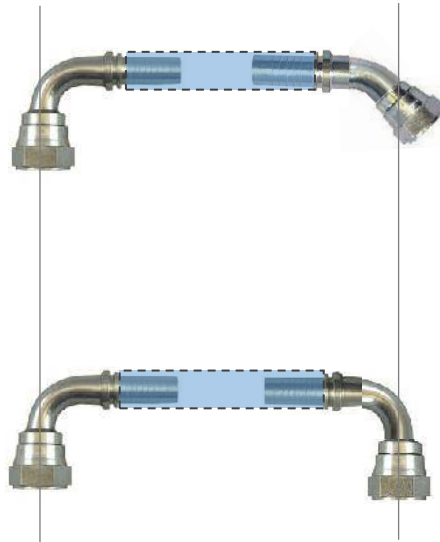
PH4100 – pag. 185



PH4150 – pag. 186



	Ø tubo hose	filetto thread	raccordi plugs		guaina sheath	
			zinc	inox*		
101	1/4"	G1/4"	Z	W	R	N
102	1/4"	G3/8"	Z	W	R	N
103	3/8"	G1/4"	Z	W	R	N
104	3/8"	G3/8"	Z	W	R	N
105	3/8"	G1/2"	Z	W	R	N
107	1/2"	G3/8"	Z	W	R	N
108	1/2"	G1/2"	Z	W	R	N
109	1/2"	G3/4"	Z	W	R	N
111	3/4"	G3/4"	Z	W	R	N
112	3/4"	G1"	Z	W	R	N
114	1"	G1"	Z	W	R	N
201	1/4"	G1/4"	Z	W	R	N
202	1/4"	G3/8"	Z	W	R	N
203	3/8"	G1/4"	Z	W	R	N
204	3/8"	G3/8"	Z	W	R	N
205	3/8"	G1/2"	Z	W	R	N
207	1/2"	G3/8"	Z	W	R	N
208	1/2"	G1/2"	Z	W	R	N
209	1/2"	G3/4"	Z	W	R	N
211	3/4"	G3/4"	Z	W	R	N
212	3/4"	G1"	Z	W	R	N
214	1"	G1"	Z	W	R	N
301	1/4"	G1/4"	Z	W	R	N
302	1/4"	G3/8"	Z	W	R	N
303	3/8"	G1/4"	Z	W	R	N
304	3/8"	G3/8"	Z	W	R	N
305	3/8"	G1/2"	Z	W	R	N
307	1/2"	G3/8"	Z	W	R	N
308	1/2"	G1/2"	Z	W	R	N
309	1/2"	G3/4"	Z	W	R	N
311	3/4"	G3/4"	Z	W	R	N
312	3/4"	G1"	Z	W	R	N
314	1"	G1"	Z	W	R	N
401	1/4"	G1/4"	Z	W	R	N
402	1/4"	G3/8"	Z	W	R	N
403	3/8"	G1/4"	Z	W	R	N
404	3/8"	G3/8"	Z	W	R	N
405	3/8"	G1/2"	Z	W	R	N
407	1/2"	G3/8"	Z	W	R	N
408	1/2"	G1/2"	Z	W	R	N
409	1/2"	G3/4"	Z	W	R	N
411	3/4"	G3/4"	Z	W	R	N
412	3/4"	G1"	Z	W	R	N
414	1"	G1"	Z	W	R	N



	Ø tubo hose	filetto thread	raccordi plugs		guaina sheath	
			zinc	inox*		
501	1/4"	G1/4"	Z	W	R	N
502	1/4"	G3/8"	Z	W	R	N
503	3/8"	G1/4"	Z	W	R	N
504	3/8"	G3/8"	Z	W	R	N
505	3/8"	G1/2"	Z	W	R	N
507	1/2"	G3/8"	Z	W	R	N
508	1/2"	G1/2"	Z	W	R	N
509	1/2"	G3/4"	Z	W	R	N
511	3/4"	G3/4"	Z	W	R	N
512	3/4"	G1"	Z	W	R	N
514	1"	G1"	Z	W	R	N
601	1/4"	G1/4"	Z	W	R	N
602	1/4"	G3/8"	Z	W	R	N
603	3/8"	G1/4"	Z	W	R	N
604	3/8"	G3/8"	Z	W	R	N
605	3/8"	G1/2"	Z	W	R	N
607	1/2"	G3/8"	Z	W	R	N
608	1/2"	G1/2"	Z	W	R	N
609	1/2"	G3/4"	Z	W	R	N
611	3/4"	G3/4"	Z	W	R	N
612	3/4"	G1"	Z	W	R	N
614	1"	G1"	Z	W	R	N

- : Opzione standard con boccia zincata – non a contatto con l'acqua. Per 100% Inox sostituire «W» con «S»
- : Standard version with galvanized steel wage, which is not in contact with water. For 100% Inox replace «W» with «S».

PC4910 GUAINA DI PROTEZIONE IN POLIPROPILENE PER TUBI FLESSIBILI
POLYPROPYLENE SLEEVE COVERING HOSES



Codice-Code	Ø interno inner	Colore Colour	L std.
			mt.
PC4910-018-N-100	18		100 mt
PC4910-020-N-100	20		100 mt
PC4910-022-N-100	22		100 mt
PC4910-025-N-100	25		100 mt
PC4910-028-N-100	28		100 mt
PC4910-032-N-100	32		100 mt
PC4910-035-N-100	35		100 mt
PC4910-038-N-100	38		100 mt
PC4910-045-N-100	45		100 mt
PC4910-050-N-100	50		100 mt
PC4910-055-N-100	55		100 mt
PC4910-070-N-100	70		100 mt
PC4910-090-N-100	90		100 mt

Caratteristiche tecniche:

Campo di temperatura: -40°C\+100°C. Resistenza all'abrasione ≥25k cicli, carico di rottura da 43 a 143 DaN, allungamento rottura 30%.

Resistenza UV: EN 14471.

Technical features:

Working temperature range: -40°C\+100°C. Abrasion resistance ≥25k cycles; Stain at break: up 43 to 143 DaN; tensile strenght 30%. UV resistance: EN 14471

PC4901 GUAINA ELASTICA DI PROTEZIONE TERMICA IN VETRO-SILICONE 260°C PER TUBI FLESSIBILI
ELASTIC SILICON-GLASS THERMICAL PROTECTION 260°C FOR FLEXIBLE HOSES



Caratteristiche tecniche: Campo di temperatura: -40°C\+260°C (290°C di picco). Spessore parete in silicone 1 mm. Autoestinguente. Norme: 1441 VW – I – EN 45545-1 EN 45545-2+A1

Technical features: Working temperature range: -40°C\+260°C (peaks of 290°C). Silicon wall thickness: 1 mm. Fire self-extinguish. Standards: 1441 VW – I – EN 45545-1 EN 45545-2+A1

Codice-Code	Codice-Code	Ø interno inner	Colore Color	Tubo - Hose		L std. mt.
				PC4600	PC4650	
PC5110-1113-Z	PC4901-10-R-001	10		1/4"	-	1
	PC4901-10-N-001					
PC5110-1315-Z	PC4901-12-R-001	12		-	1/4"	
	PC4901-12-N-001					
PC5110-1417-Z	PC4901-14-R-001	14		3/8"	-	
	PC4901-14-N-001					
PC5110-1720-Z	PC4901-16-R-001	16		-	3/8"	
	PC4901-16-N-001					
PC5110-2023-Z	PC4901-20-R-001	20		1/2"	1/2"	
	PC4901-20-N-001					
PC5110-2528-Z	PC4901-24-R-001	24		3/4"	-	
	PC4901-24-N-001					
PC5110-2731-Z	PC4901-26-R-001	26		-	3/4"	
	PC4901-26-N-001					
PC5110-3134-Z	PC4901-30-R-001	30		1"	-	
	PC4901-30-N-001					
PC5110-3740-Z	PC4901-35-R-001	35		-	1"	
	PC4901-35-N-001					

PC5110
FASCETTA A DUE ORECCHIE ACCIAIO ZINCATO
GALVANIZED STEEL DOUBLE-HEAR CLIP

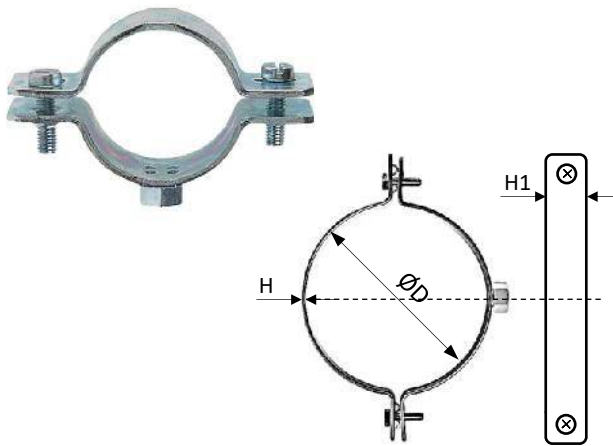


PC3130 FASCIA IN VELCRO 90°C
90°C BACK TO BACK TAPE



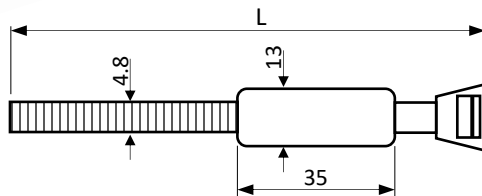
Codice-Code	LUNGHEZZA MIN MIN LENGTH	LARGHEZZA WIDTH	colore color	
PC3130-38-025	25 mt	38		1

PM354 COLLARE IN ACCIAIO ZINCATO
GALVANIZED STEEL PIPE CLAMP



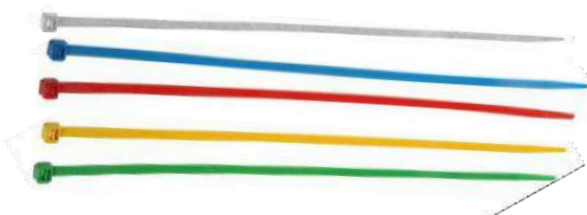
Codice-Code	ØD	H	H1	FILETTO THREAD	
PM354-1518	15-18	2	23	M8	4
PM354-1922	19-22				4
PM354-2528	25-28				4
PM354-3134	31-34	2.5	28		4
PM354-3943	39-43				2
PM354-4549	45-49				2
PM354-5761	57-61			2	

PC3110 TARGHETTA IN NYLON 85°C
85°C NYLON LABEL



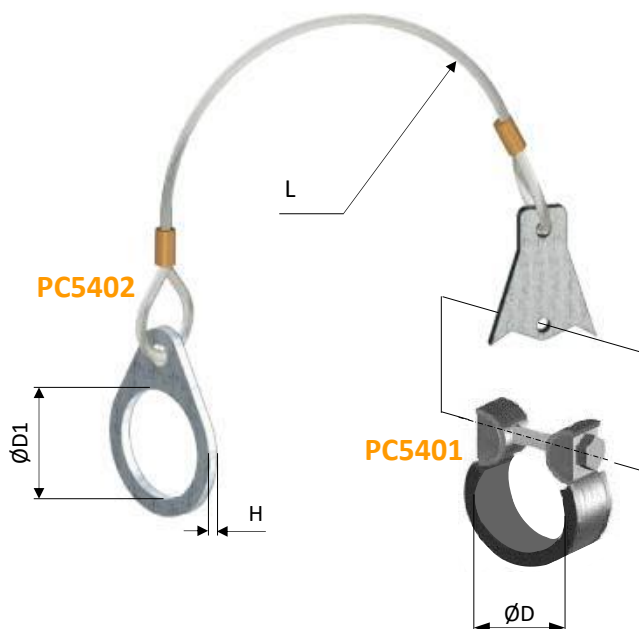
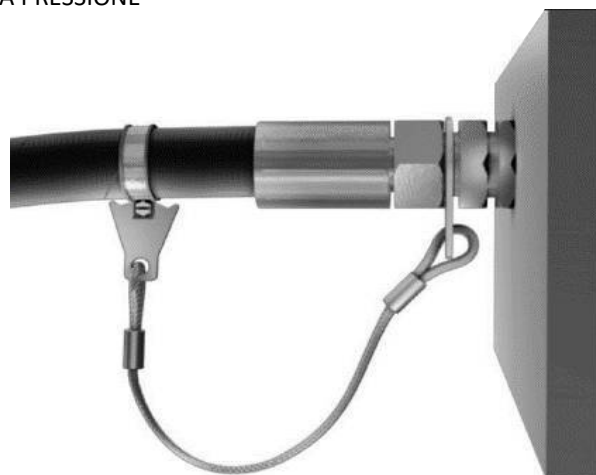
Codice-Code	Ø max	Kg min	L	H	H1	colore color	
PC3110-3513-200	50	28	200	-	-		100
PC3110-3513-200	90		290	-	-		100

PC3120 FASCETTE COLORATE IN NYLON 85°C
85°C COLORED NYLON TIES



Codice-Code	Ø max	Kg min	L	LARGHEZZA WIDTH	colore color	
PC3120-45-200-R	51	28	200	4.5		100
PC3120-45-200-V						
PC3120-45-200-W						
PC3120-45-200-B						
PC3120-45-200-G						
PC3120-45-280-R	76	28	280	4.5		
PC3120-45-280-V						
PC3120-45-280-W						
PC3120-45-280-B						
PC3120-45-280-G						

PC5400 FUNE DI SICUREZZA PER TUBI FLESSIBILI ALTA PRESSIONE
SAFETY WIRE FOR HIGH PRESSURE HOSES

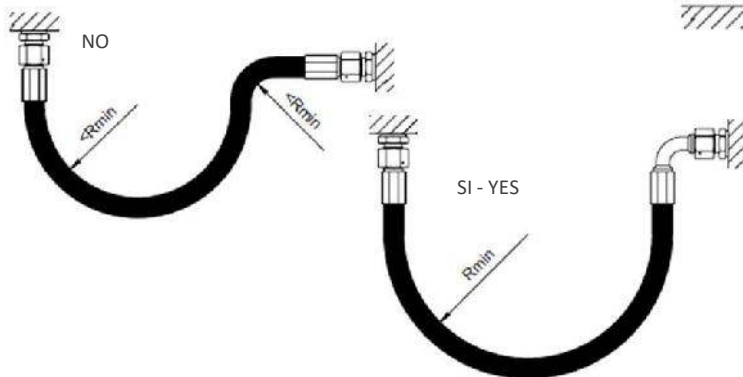
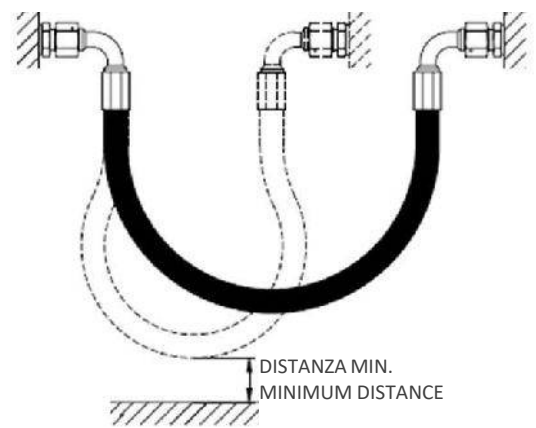
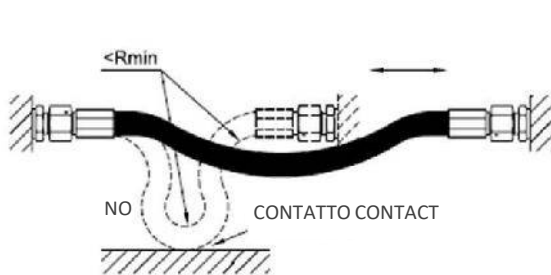
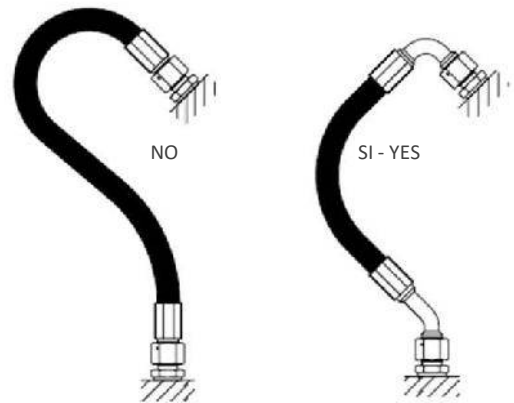
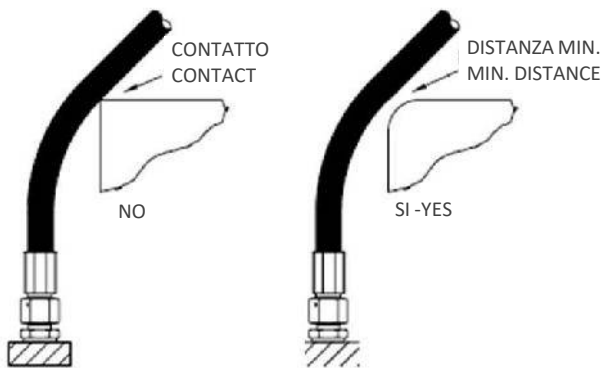
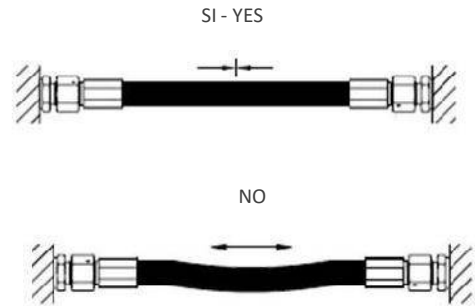
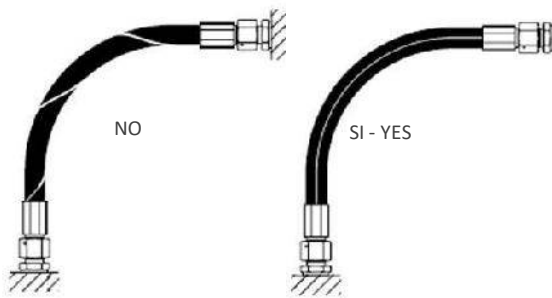


Codice-Code	ØD min	ØD max
-------------	--------	--------

PC5401-120-125	12	12.5
PC5401-130-135	13	13.5
PC5401-140-150	14	15
PC5401-160-170	16	17
PC5401-170-180	17	18
PC5401-180-190	18	19
PC5401-200-210	20	21
PC5401-210-220	21	22
PC5401-220-230	22	23
PC5401-240-250	24	25
PC5401-250-260	25	26
PC5401-260-270	26	27
PC5401-270-280	27	28
PC5401-280-290	28	29
PC5401-300-310	30	31
PC5401-320-330	32	33
PC5401-340-350	34	35
PC5401-350-360	35	36
PC5401-360-370	36	37
PC5401-380-390	38	39
PC5401-390-400	39	40
PC5401-400-410	40	41
PC5401-420-430	42	43
PC5401-430-440	43	44
PC5401-440-450	44	45
PC5401-450-470	46	47
PC5401-480-500	48	50
PC5401-510-530	51	53

Codice-Code	ØD1	raccordo - fitting		E	L	max Bar
		standard	DIN2353			
PC5402-145	14.5	1/4"	8L	2.5	300	450
PC5402-170	17.5	3/8"	8S - 10L			445
PC5402-185	18.5	M18	10S - 12L			
PC5402-205	20.5	M20	12S			
PC5402-225	22.5	1/2"	14S - 15L			
PC5402-245	24.5	5/8"	16S			
PC5402-265	26.5	3/4"	18L	3	450	420
PC5402-305	30.5	-	20S - 22L			
PC5402-340	34.0	1"	-			
PC5402-365	36.5	-	25S - 28L			
PC5402-425	42.5	1"1/4	30S			
PC5402-455	45.5	-	35L			
PC5402-490	49.5	1"1/2	-			

RACCOMANDAZIONI PER L'INSTALLAZIONE DEI TUBI FLESSIBILI
 FLEXIBLE HOSES INSTALLATION RECCOMANDATIONS



PA1700 Raccordi rapidi ad ogiva Serie Micro 15 Bar 160°C.

PA1700 Compression Fittings Micro Series 15 Bar, 160°C.

196	PA1702	PA1716	PA1717	PA1611	PA1712	PH1199	197
							
198	PA1707	PA1708	PA1709	PA1729	PA1727	PH4400	199
							

PC6100 Sistemi di tubazioni rigide acciaio Serie Pressfitting 15 Bar 160°C.

PC6100 Steel piping system Pressfitting Series 15 Bar, 160°C.

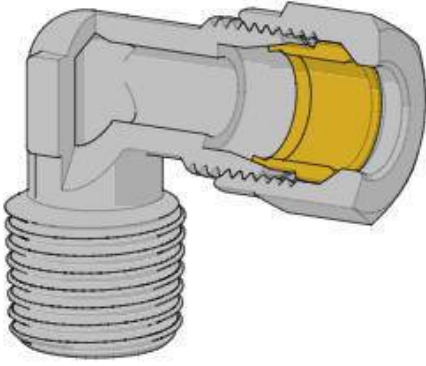
200	PC6130	PC6130	PC6131	PC6111	PC6116	201
						
202	PC6118	PC6115	PC6112		<p>UTENSILE PER RACCORDATURA PRESSFITTING Contattare ufficio commerciale</p> <p>PRESSFITTING CLAMPING TOOL Contact our Sales Office</p>	203
						
PC6117	PC6100	PC6101				
						

Sistemi di tubazioni rigide acciaio Norma DIN2353 alta pressione 5 Bar 160°C.

High Pressure Steel Piping System according to DIN2353 Norms.

205	PH1131	PH1132	PH1106	PH1126	204
					
207	PH1198	PH1134	PH4400	PH1199	206
					

NOTE TECNICHE: COLORE E MISURE NON FUNZIONALI DEI PRODOTTI FORNITI POTREBBE DIFFERIRE LEGGERMENTE RISPETTO A QUANTO PRESENTATO SUL CATALOGO, FATTO SALVO IL RISPETTO CARATTERISTICHE TECNICHE E FUNZIONALI O NORMATIVE - TECHNICAL NOTES: COLOR AND NON-FUNCTIONAL MEASUREMENTS OF THE PRODUCTS SUPPLIED MAY DIFFER SLIGHTLY FROM WHAT IS PRESENTED IN THE CATALOG, SUBJECT TO COMPLIANCE WITH TECHNICAL AND FUNCTIONAL CHARACTERISTICS OR STANDARD NORMS.

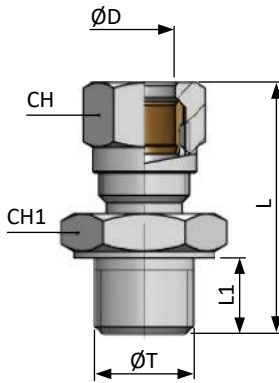


PA1700

Raccordi rapidi ad ogiva Serie Micro 15 Bar 160°C. Costruzione in ottone nichelato. Le sedi delle ogive, le ogive ed i dadi sono dimensionati seguendo le prescrizioni della normativa ISO8434/DIN 2353. Utilizzabili con tubi in rame, alluminio, acciaio.

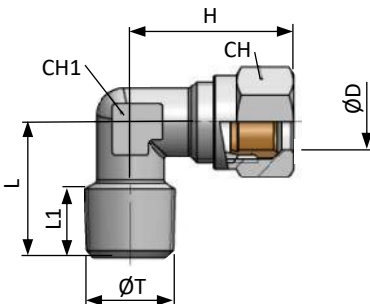
Nikel plated brass compression fittings MICRO Series 15 Bar, 160°C. Nuts and Olives according to ISO8434/DIN 2353 norms. They can be fitted to brass, aluminium and steel pipes.

PA1702 RACCORDO DIN 2353 FILETTO MASCHIO BSPP
DIN 2353 MALE CONNECTOR BSPP THREAD



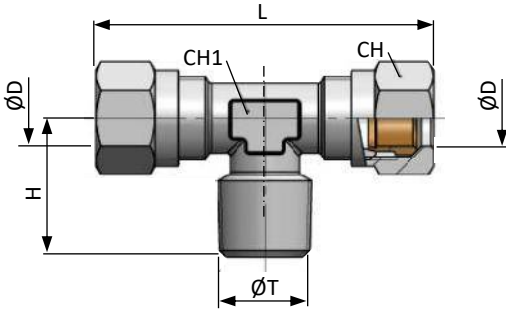
Codice-Code	CH	CH1	ØD	H	L	L1	ØT	
PA1702-08-G18	14	14	8	-	27.5	6	G1/8"	10
PA1702-08-G14	14	17		-	30	8	G1/4"	10
PA1702-10-G14	19	17	10	-	34.5	8	G1/4"	10
PA1702-10-G38	19	19		-	36	9	G3/8"	10
PA1702-12-G38	22	22	12	-	39	10	G3/8"	5
PA1702-12-G12	22	27		-	42	12	G1/2"	5
PA1702-15-G12	27	27	15	-	43	12	G1/2"	5

PA1716 RACCORDO DIN2353 A GOMITO FILETTO MASCHIO BSPT
DIN 2353 MALE ELBOW PLUG BSPT THREAD



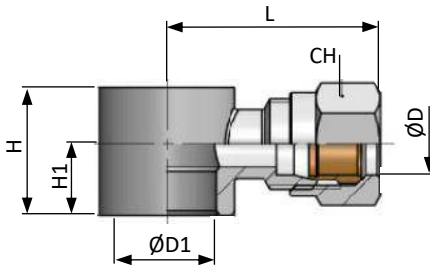
Codice-Code	CH	CH1	ØD	H	L	L1	ØT	
PA1716-08-R18	14	11	8	24	17	8	R1/8"	10
PA1716-08-R14	14	11		24	20	11	R1/4"	10
PA1716-10-R14	19	13	10	32	23.5	11	R1/4"	10
PA1716-10-R38	19	13		32	24	11.5	R3/8"	10
PA1716-12-R38	22	15	12	34.5	25.5	11.5	R3/8"	5
PA1716-12-R12	22	15		34.5	28.5	14	R1/2"	5
PA1716-15-G12	27	17	15	38	30	14	G1/2"	5

PA1717 RACCORDO A "T" CON BASE GIREVOLE FILETTO MASCHIO BSPT
BASE SWIVEL MALE TEE PLUG BSPT THREAD



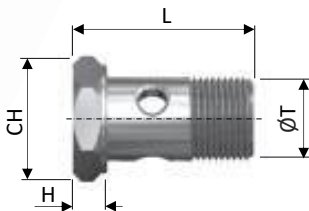
Codice-Code	CH	CH1	ØD	ØD1	H	L	ØT	
PA1717-08-R18	14	11	8	-	17	48	R1/8"	10
PA1717-08-R14	14	11	8	-	20	48	R1/4"	10
PA1717-10-R14	19	13	10	-	23.5	64	R1/4"	10
PA1717-10-R38	19	13	10	-	24	64	R3/8"	5
PA1717-12-R38	22	15	12	-	25.5	69	R3/8"	5
PA1717-12-R12	22	15	12	-	28.5	69	R1/2"	5
PA1717-15-R12	27	17	15	-	30	76	R1/2"	5

PA1712 RACCORDO AD OCCHIELLO SINGOLO DIN 2353
DIN 2353 SINGLE BANJO CONNECTOR



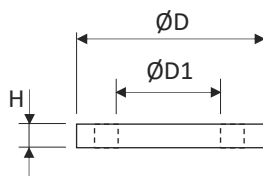
Codice-Code	CH	ØD	H	ØD1	H1	L	ØT	
PA1712-08-G18	12	8	15	10	8.5	27	G1/8"	10
PA1712-08-G14	14	8	17	13.2	9.5	29	G1/4"	10

PA1611 ASTA SINGOLA PER RACCORDO AD OCCHIELLO FIL. MASCHIO BSPP DIN 2353
DIN 2353 STEM FOR SINGLE BANJO CONNECTOR BSPP MALE THREAD



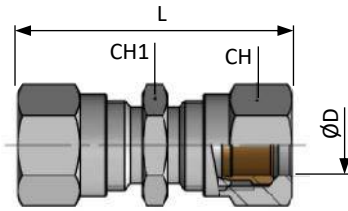
Codice-Code	CH	CH1	ØD	H	L	ØT	
PA1611-G18	14	-	-	5.8	27	10-G1/8"	10
PA1611-G14	17	-	-	6.8	31.5	13.2-G1/4"	10

PH1199 RONDELLA BONDED FKM
FKM BONDED WASHER



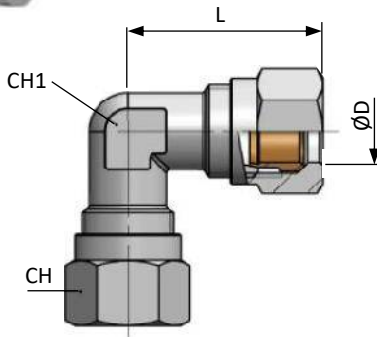
Codice-Code	misura size	ØD	ØD1	ØD1	tipo O-Ring O-Ring type	H	
PH1199-018-V	1/8"	16	10.4	-	FKM	2	15
PH1199-014-V	1/4"	20.5	13.7	-	FKM	2	15

PA1707 NIPPLO DI GIUNZIONE IN LINEA DIN 2353
DIN 2353 UNION CONNECTOR METRIC TUBE



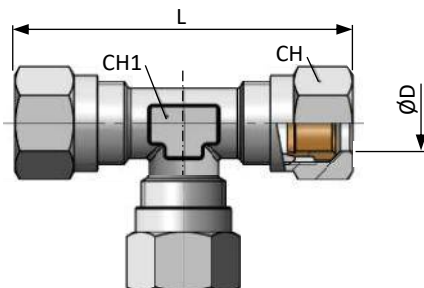
Codice-Code	CH	CH1	ØD	L	
PA1707-08	14	14	8	38.5	5
PA1707-10	19	17	10	47.5	
PA1707-12	22	19	12	50.5	
PA1707-15	27	24	15	55.5	

PA1708 NIPPLO DI GIUNZIONE A GOMITO DIN 2353
DIN 2353 UNION ELBOW METRIC TUBE



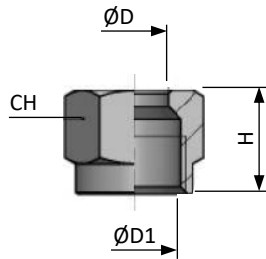
Codice-Code	CH	CH1	ØD	L	
PA1708-08	14	11	8	24	5
PA1708-10	19	13	10	32	
PA1708-12	22	15	12	34.5	
PA1708-15	27	17	15	38	

PA1709 NIPPLO DI GIUNZIONE A "T" DIN 2353
DIN 2353 UNION TEE METRIC TUBE



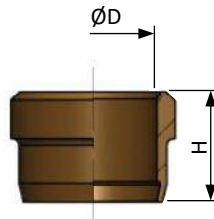
Codice-Code	CH	CH1	ØD	L	
PA1709-08	14	11	8	48	5
PA1709-10	19	13	10	64	
PA1709-12	22	15	12	69	
PA1709-15	27	17	15	76	

PA1727 GHIERA PRESSA-TUBO PER RACCORDI DIN 2353
NICKEL PLATED LOCKING NUT FOR DIN 2353 FITTINGS



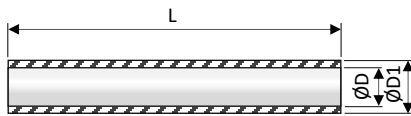
Codice-Code	CH	øD	øD1	H	
PA1727-08	14	8	M12x1	12	10
PA1727-10	19	10	M16x1.5	15.5	
PA1727-12	22	12	M18x1.5	15.5	
PA1727-15	27	15	M22x1.5	17	

PA1729 OGIVA PRESSA-TUBO PER RACCORDI DIN 2353
LOCKING OLIVE FOR DIN 2353 FITTINGS

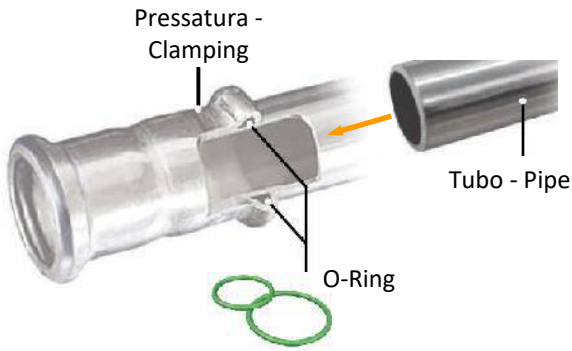


Codice-Code	CH	øD	øD1	H	
PA1729-08	-	8	-	7	10
PA1729-10	-	10	-	10	
PA1729-12	-	12	-	10	
PA1729-15	-	15	-	10	

PH4400 TUBO RIGIDO ACCIAIO AL CARBONIO EN 10305-4
EN 10305-4 STEEL PIPE



Codice-Code	CH	øD	øD1	L min	
PH4400-0806-001	-	6	8	1000	10
PH4400-1007-001	-	7	10	1000	
PH4400-1209-001	-	9	12	1000	
PH4400-1512-001	-	12	15	1000	

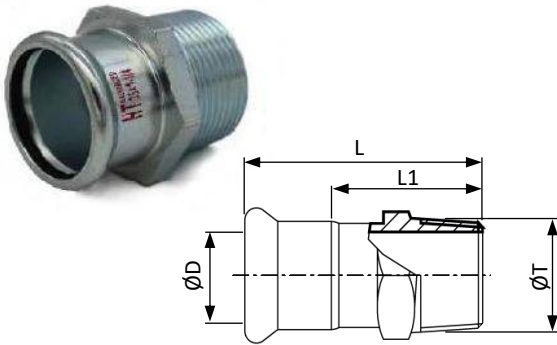


PC6100

Tubi e raccordi in acciaio galvanizzato e acciaio Inox. Con sistema di giunzione a freddo «**Pressfitting**» per Temperatura fino a 200°C, Pressione 16 Bar. Diametri standard da 15 a 42 mm.

Galvanized steel and Stainless steel pipes and fittings for «**Pressfitting**» cold clamping system. Max working temperature up to 200°C, Max working pressure 16 Bar. Standard diameters from 15 to 42 mm.

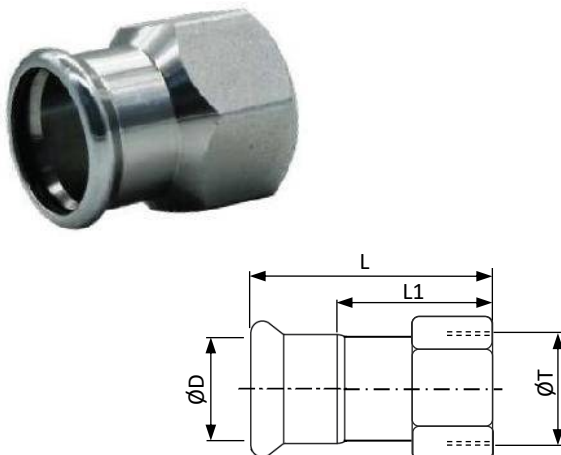
PC6130 RACCORDO FILETTO MASCHIO CONICO BSPT
BSPT CONICAL MALE THREAD FITTING



Codice-Code	ØD	L	L1	ØT	
PC6130-15-R12	15	53.5	33.5	R1/2"	1
PC6130-18-R12	18	53.5	33.5	R1/2"	
PC6130-22-R12	22	53	33.5	R1/2"	
PC6130-22-R34	22	57	37.5	R3/4"	
PC6130-28-R34	28	60	38	R3/4"	
PC6130-28-R1	28	63	41	R1"	
PC6130-35-R1	35	67	41	R1"	
PC6130-35-R114	35	71	45	R1"1/4	
PC6130-42-R112	42	78	48	R1"1/2	

Per Inox aggiungere -S in fondo al codice
For stainless steel add -S at the end of the code

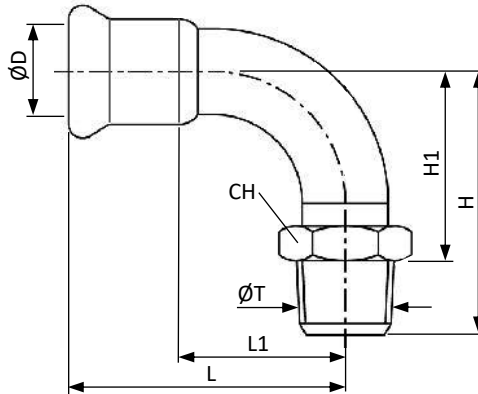
PC6131 RACCORDO FILETTO FEMMINA BSP
BSP FEMALE THREAD FITTING



Codice-Code	ØD	L	L1	ØT	
PC6131-15-G12	15	54	34	G1/2"	1
PC6131-18-G12	18	54	34	G1/2"	
PC6131-22-G12	22	52	32.5	G1/2"	
PC6131-22-G34	22	58	38	G3/4"	
PC6131-28-G34	28	60	38	G3/4"	
PC6131-28-G1	28	60.5	38.5	G1"	
PC6131-35-G1	35	64	38	G1"	
PC6131-35-G114	35	69	43	G1"1/4	
PC6131-42-G112	42	77	47	G1"1/2	

Per Inox aggiungere -S in fondo al codice
For stainless steel add -S at the end of the code

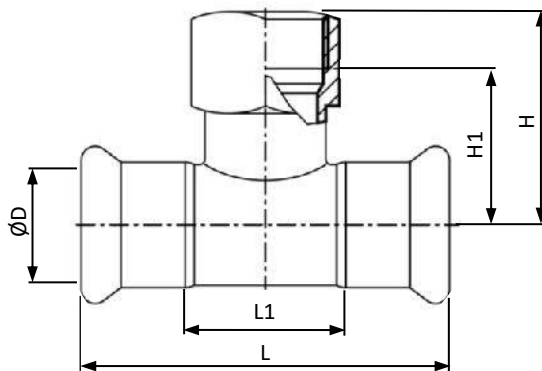
PC6111 RACCORDO A 90° FILETTO MASCHIO CONICO BSPT BSPT CONICAL MALE THREAD FITTING



Codice-Code	ØD	H	H1	L	L1	ØT	
PC6111-15-R12	15	53	38	48	28	R1/2"	1
PC6111-18-R12	18	57	42	52	32	R1/2"	
PC6111-22-R34	22	68	51	61	40	R3/4"	
PC6111-28-R1	28	81	61	71.5	49	R1"	
PC6111-35-R114	35	96	74	86	60	R1"1/4	
PC6111-42-R112	42	121	96	112	82	R1"1/2	

Per Inox aggiungere -S in fondo al codice
For stainless steel add -S at the end of the code

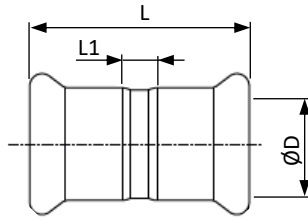
PC6116 RACCORDO A "T" FILETTO FEMMINA BSP TEE FITTING WITH BSP FEMALE THREAD FITTING



Codice-Code	ØD	H	H1	L	L1	ØT	
PC6116-15-G12	15	36	23	64	12	G1/2"	1
PC6116-18-G12	18	37	24	68	14	G1/2"	
PC6116-22-G34	22	44	29	71	1619	G3/4"	
PC6116-28-G1	28	47	30	82	24	G1"	
PC6116-35-G114	35	55	36	100	27	G1"1/4	
PC6116-42-G112	42	61	35	114		G1"1/2	

Per Inox aggiungere -S in fondo al codice
For stainless steel add -S at the end of the code

PC6118 GIUNZIONE DRITTA PER TUBO - STRAIGHT PIPE JUNCTION

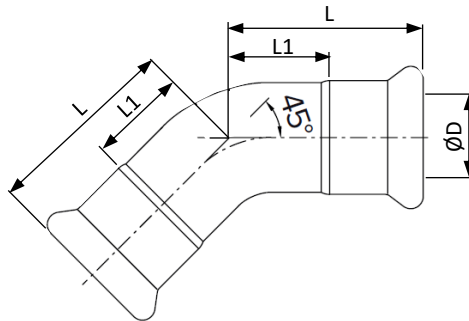


Codice-Code	ØD	L	L1	
-------------	----	---	----	--

PC6118-15	15	48	8	1
PC6118-18	18	48	8	
PC6118-22	22	50.5	8	
PC6118-28	28	52	8	
PC6118-35	35	70	18	
PC6118-42	42	78	18	

Per Inox aggiungere -S in fondo al codice
For stainless steel add -S at the end of the code

PC6115 GIUNZIONE A 45° PER TUBO - 45° PIPE JUNCTION

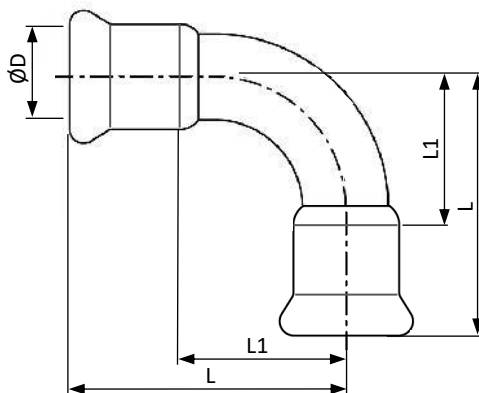


Codice-Code	ØD	L	L1	
-------------	----	---	----	--

PC6115-15	15	34.5	14.5	1
PC6115-18	18	36	16	
PC6115-22	22	41	20	
PC6115-28	28	46	24	
PC6115-35	35	54.5	28.5	
PC6115-42	42	67.5	37.5	

Per Inox aggiungere -S in fondo al codice
For stainless steel add -S at the end of the code

PC6112 GIUNZIONE A 90° PER TUBO - 90° PIPE JUNCTION

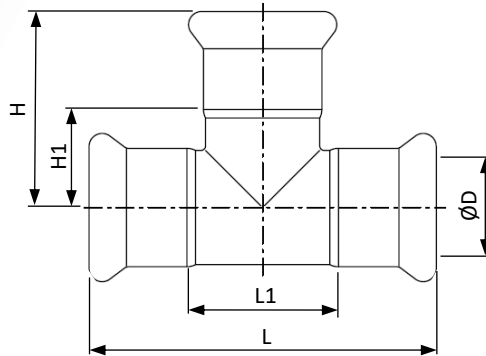


Codice-Code	ØD	L	L1	
-------------	----	---	----	--

PC6112-15	15	48	28	1
PC6112-18	18	52	32	
PC6112-22	22	61	40	
PC6112-28	28	71.5	49	
PC6112-35	35	74	48	
PC6112-42	42	86	56	

Per Inox aggiungere -S in fondo al codice
For stainless steel add -S at the end of the code

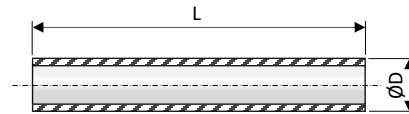
PC6117 GIUNZIONE A «T» PER TUBO TEE PIPE JUNCTION



Codice-Code	ØD	H	H1	L	L1	🛒
PC6117-15	15	39	19	64	24	1
PC6117-18	18	39	19	68	28	
PC6117-22	22	42	21	71	32	
PC6117-28	28	47	25	82	38	
PC6117-35	35	53	27	100	48	
PC6117-42	42	60	30	114	54	

Per Inox aggiungere -S in fondo al codice
For stainless steel add -S at the end of the code

PC6100 TUBO IN ACCIAIO GALVANIZZATO O INOX EN 10305-3 GALVANIZED OR STAINLESS STEEL PIPE EN 10305-3



Codice-Code	ØD	ØD1	H	L min Mt.	🛒
PC6100-15	15	-	-	1	1
PC6100-18	18	-	-		
PC6100-22	22	-	-		
PC6100-28	28	-	-		
PC6100-35	35	-	-		
PC6100-42	42	-	-		

Per Inox aggiungere -S in fondo al codice
For stainless steel add -S at the end of the code

PC6102 O-RING FKM PER RACCORDI PRESSFITTING FKM O-RINGS FOR PRESSFITTING SYSTEM FITTINGS

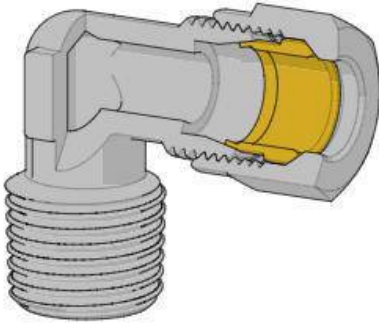


Codice-Code	ØD	🛒
PC6102-15	15	25
PC6102-18	18	
PC6102-22	22	
PC6102-28	28	
PC6102-35	35	
PC6102-42	42	

UTENSILE PER RACCORDATURA
PRESSFITTING Contattare ufficio
commerciale

PRESSFITTING CLAMPING TOOL
Contact our Sales Office

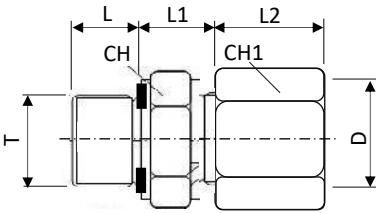




PH1100

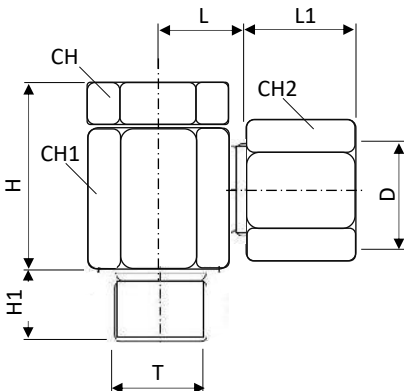
Raccordi ad ogiva Serie pesante. Costruzione in acciaio al carbonio zincato. Le sedi delle ogive, le ogive ed i dadi sono dimensionati seguendo le prescrizioni della normativa ISO8434/DIN 2353.
Galvanized steel compression fittings heavy duties. Nuts and Olives according to ISO8434/DIN 2353 norms.

PH1106 RACCORDO DRITTO PER TUBO RIGIDO DIN 2353 FILETTO MASCHIO
DIN 2353 STRAIGHT PIPE FITTING WITH MALE THREAD



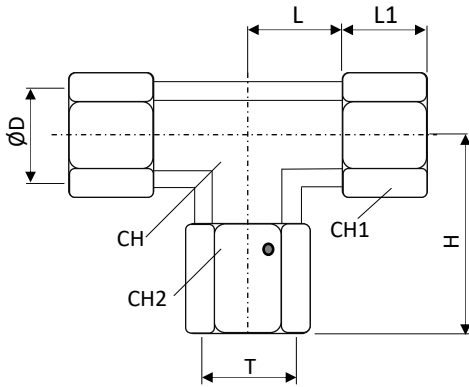
Codice-Code	CH	CH1	CH2	∅D	H	L	L1	L2	∅T	max W Bar	
PH1106A-08-G18	14	17	-	8	-	8	9.5	14.5	G1/8"	500	5
PH1106A-08-G14	19	17	-	8	-	12	10	14.5	G1/4"		5
PH1106A-10-G18	17	19	-	10	-	8	9.5	15.5	G1/8"		5
PH1106A-10-G14	19	19	-	10	-	12	10	15.5	G1/4"		5
PH1106A-12-G14	19	22	-	12	-	12	10	15.5	G1/4"	400	5
PH1106A-12-G38	22	22	-	12	-	12	12.5	15.5	G3/8"		5
PH1106A-15-G38	24	27	-	15	-	12	12.5	17	G3/8"		5
PH1106A-18-G38	27	32	-	18	-	12	12.5	18	G3/8"		5
PH1106A-18-G12	27	32	-	18	-	14	14.5	18	G1/2"	250	5
PH1106A-22-G34	32	36	-	22	-	16	16.5	20	G3/4"		1
PH1106A-22-G1	41	36	-	22	-	18	17.5	20	G1"		1
PH1106A-28-G1	41	41	-	28	-	18	17.5	21	G1"		1

PH1126 RACCORDO ORIENTABILE A 90° PER TUBO RIGIDO DIN 2353 FILETTO MASCHIO
DIN 2353 ELBOW BANJO PIPE FITTING WITH MALE THREAD



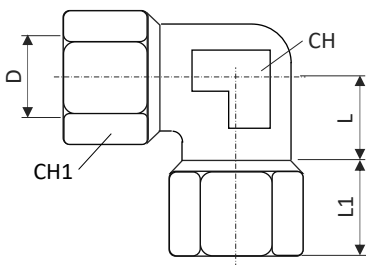
Codice-Code	CH	CH1	CH2	∅D	H	H1	L	L1	∅T	max W Bar	
PH1126A-08-G14	19	22	17	8	24	12	14.5	14.5	G1/4"	315	5
PH1126A-10-G14	19	22	19	10	29	12	15.5	15.5	G1/4"		5
PH1126A-12-G14	19	27	22	12	35	12	18	15.5	G1/4"		5
PH1126A-12-G38	24	27	22	12	35	12	18	17	G3/8"		5
PH1126A-18-G12	27	32	32	18	46	14	21	18	G1/2"	160	5
PH1126A-22-G34	36	41	36	22	52	16	27.5	20	G3/4"		1
PH1126A-28-G1	46	50	41	28	64	18	32	21	G1"		1

PH1131 RACCORDO A T CON BASE ORIENTABILE PER TUBO RIGIDO DIN 2353 FILETTO FEMMINA
DIN 2353 TEE PIPE FITTING WITH SWIVEL FEMALE BASE THREAD



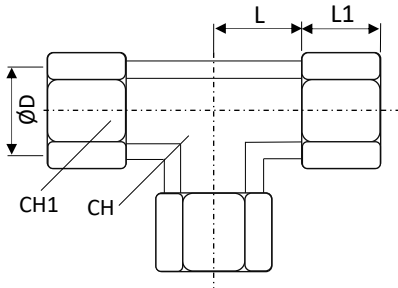
Codice-Code	CH	CH1	CH2	ØD	H	L	L1	ØT	max W Bar	
PH1131A-08-M14	12	17	17	8	21	14	14.5	M14x1.5	500	5
PH1131A-10-M16	14	19	19	10	22	15	15.5	M16x1.5		5
PH1131A-12-M18	17	22	22	12	24	17	15.5	M18x1.5	400	5
PH1131A-15-M22	19	27	27	15	28	21	17	M22x1.5		5
PH1131A-18-M26	24	32	32	18	31	23.5	18	M26x1.5	315	5
PH1131A-22-M30	27	36	36	22	35	27.5	20	M30x2	250	5
PH1131A-28-M36	36	41	41	28	38	30.5	21	M36x2		1

PH1132 GIUNZIONE A GOMITO PER TUBO RIGIDO DIN 2353
DIN 2353 ANGLE PIPE JUNCTION



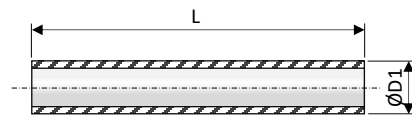
Codice-Code	CH	CH1	CH2	ØD	H	L	L1	ØT	max W Bar	
PH1132A-08L	19	22	17	8	-	14	14.5	M14x1.5	500	5
PH1132A-10L	19	22	19	10	-	15	15.5	M16x1.5		5
PH1132A-12L	19	27	22	12	-	17	15.5	M18x1.5	315	5
PH1132A-15L	24	27	22	15	-	21	17	M22x1.5		5
PH1132A-18L	27	32	32	18	-	23.5	18	M26x1.5	5	
PH1132A-22L	36	41	36	22	-	27.5	20	M30x2	250	1
PH1132A-28L	46	50	41	28	-	30.5	21	M36x2		1

PH1134 GIUNZIONE A T PER TUBO RIGIDO DIN 2353
DIN 2353 TEE PIPE JUNCTION



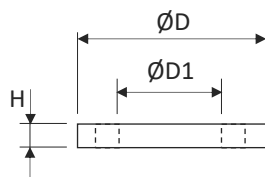
Codice-Code	CH	CH1	ØD	L	L1	max W Bar	
PH1134A-08L	12	17	8	14	15.5	500	5
PH1134A-10L	14	19	10	15	15.5	315	5
PH1134A-12L	17	22	12	17	15.5		5
PH1134A-15L	19	27	15	21	15.5		5
PH1134A-18L	24	32	18	23.5	17	250	5
PH1134A-22L	27	36	22	27.5	18		5
PH1134A-28L	36	41	28	30.5	20		1

PH4400 TUBO RIGIDO ACCIAIO AL CARBONIO EN 10305-4
EN 10305-4 STEEL PIPE



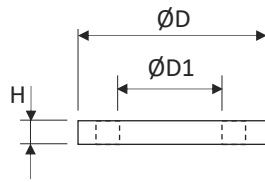
Codice-Code	CH	ØD	ØD1	L min Mt.	max W Bar	
PH4400-0806-001	-	6	8	1	259	1
PH4400-1007-001	-	7	10		321	
PH4400-1209-001	-	9	12		259	
PH4400-1512-001	-	12	15	201		
PH4400-1815-001	-	15	18	164		
PH4400-2218-001	-	18	22	189		
PH4400-2824-001	-	24	28	139		

PH1199 RONDELLA BONDED CON GUARNIZIONE
BONDED RING WITH SEAL



Codice-Code	misura size	ØD	ØD1	tipo O- Ring type	H	
PH1199-018-N	1/8"	16	10.4	NBR	2	30
PH1199-018-V	1/8"	16	10.4	FKM	2	15
PH1199-014-N	1/4"	20.5	13.7	NBR	2	30
PH1199-014-V	1/4"	20.5	13.7	FKM	2	15
PH1199-038-N	3/8"	24	17.3	NBR	2	30
PH1199-038-V	3/8"	24	17.3	FKM	2	15
PH1199-012-N	1/2"	28.5	21.5	NBR	2.5	20
PH1199-012-V	1/2"	28.5	21.5	FKM	2.5	10
PH1199-034-N	3/4"	35	27	NBR	2.5	20
PH1199-034-V	3/4"	35	27	FKM	2.5	10
PH1199-100-N	1"	43	33.9	NBR	2.5	5
PH1199-100-V	1"	43	33.9	FKM	2.5	5
PH1199-114-N	1 1/4"	52.5	42.9	NBR	2.5	20
PH1199-114-V	1 1/4"	52.5	42.9	FKM	2.5	10
PH1199-112-N	1 1/2"	58.5	48.4	NBR	2.5	5
PH1199-112-V	1 1/2"	58.5	48.4	FKM	2.5	5

PH1198 RONDELLA RAME
COPPER SEAL



Codice-Code	misura size	ØD	ØD1	H	
PH1198-018	1/8"	16	10	1.5	50
PH1198-014	1/4"	19	13.5	1.5	50
PH1198-038	3/8"	22	17	1.5	50
PH1198-012	1/2"	27	21.5	1.5	50
PH1198-034	3/4"	33	27	1.5	25
PH1198-100	1"	40	33.5	1.5	25
PH1198-114	1"1/4	50	42	1.5	10
PH1198-112	1"1/2	55	48	1.5	10



COLLETTORI IN ALLUMINIO PROFILO PIATTO
ALUMINIUM MANIFOLD FLAT PROFILE

PM200 210



COLLETTORI IN ALLUMINIO ANODIZZATO
ANODIZED ALUMINIUM MANIFOLD

PM400 212



COLLETTORI IN ALLUMINIO MULTI-LATO
MULTI-SIDE ALUMINIUM MANIFOLD

PM500 214



COLLETTORI IN OTTONE
BRASS MANIFOLD

PM100 216



COLLETTORI IN ACCIAIO INOX
STAINLESS STEEL MANIFOLD

PM350 218



COLLETTORI IN ACCIAIO INOX PORTATA ELEVATA
HIGH FLOW STAINLESS STEEL MANIFOLD

PM370 219



COLLETTORE **ALTA PRESSIONE** 250 BAR
250 BAR **HIGH PRESSURE** ALUMINIUM MANIFOLD

PM900 220

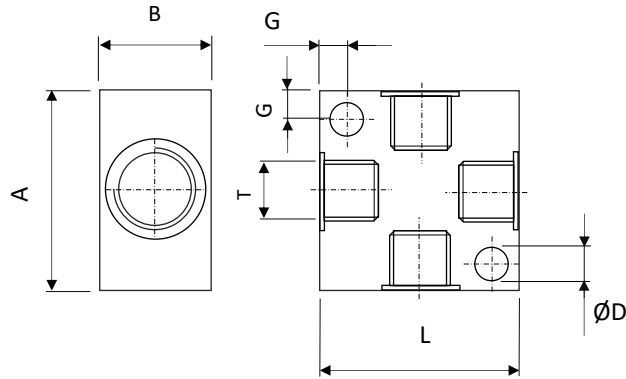


SOLUZIONI DI STAFFAGGIO COLLETTORI
MANIFOLD CLAMPING SOLUTIONS

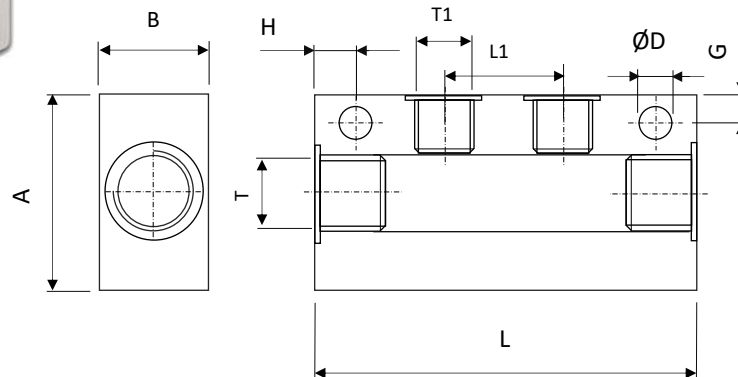
**230-
236**

PM200

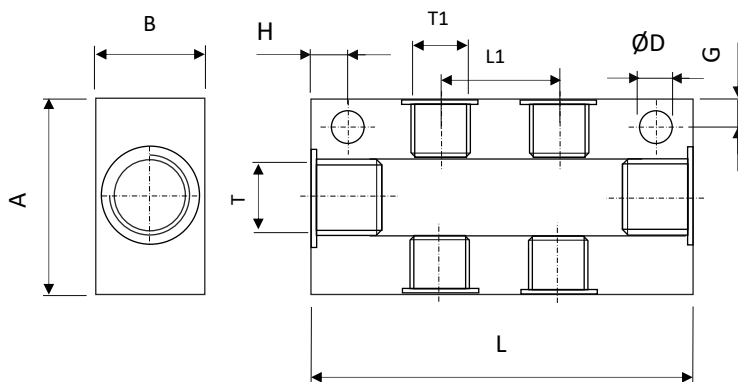
COLLETTORE IN ALLUMINIO SERIE FLAT per il passaggio di aria e liquidi a bassa pressione.
 Campo di temperatura di esercizio -10 / +100°C. Pressione massima di esercizio 20 Bar.
ALUMINIUM MANIFOLD FLAT SERIES for air and low pressure liquids.
 Temperature range -10 / +100°C. Max. working pressure 20 Bar.



Codice-Code	N. Uscite	A	B	ØD	G	H	L	L1	ØT	ØT1
PM200-G18	3	25	16	4.5	4	-	-	-	G1/8"	-
PM200-G14	3	40	20	5.5	7	-	-	-	G1/4"	-
PM200-G38	3	40	25	5.5	7	-	-	-	G3/8"	-
PM200-G12	3	50	30	5.5	8	-	-	-	G1/2"	-



Codice-Code	N. Uscite	A	B	ØD	G	H	L	L1	ØT	ØT1
PM200-G18-M5-4	4	25	16	4.5	3.5	63	75	15	G1/8"	M5
PM200-G18-M5-6	6	25	16	4.5	3.5	93	105	15	G1/8"	M5
PM200-G14-G18-2	2	30	20	4.5	4.5	45	54	18	G1/4"	G1/8"
PM200-G14-G18-4	4	30	20	4.5	4.5	81	90	18	G1/4"	G1/8"
PM200-G14-G18-6	6	30	20	4.5	4.5	117	126	18	G1/4"	G1/8"
PM200-G38-G14-2	2	40	25	5.5	4.5	51	68	24	G3/8"	G1/4"
PM200-G38-G14-4	4	40	25	5.5	4.5	99	116	24	G3/8"	G1/4"
PM200-G38-G14-6	6	40	25	5.5	4.5	147	164	24	G3/8"	G1/4"
PM200-G12-G38-2	2	50	30	5.5	6.5	59	78	26	G1/2"	G3/8"
PM200-G12-G38-4	4	50	30	5.5	6.5	111	130	26	G1/2"	G3/8"
PM200-G12-G38-6	6	50	30	5.5	6.5	163	182	26	G1/2"	G3/8"



Codice-Code	N. Uscite	A	B	ØD	G	H	L	L1	ØT	ØT1
PM200-G14-G18-22	2+2	30	20	4.5	4.5	45	54	18	G1/4"	G1/8"
PM200-G14-G18-44	4+4	30	20	4.5	4.5	81	90	18	G1/4"	G1/8"
PM200-G38-G14-22	2+2	40	25	5.5	4.5	51	68	24	G3/8"	G1/4"
PM200-G38-G14-44	4+4	40	25	5.5	4.5	99	116	24	G3/8"	G1/4"
PM200-G12-G38-22	2+2	50	30	5.5	6.5	59	78	26	G1/2"	G3/8"
PM200-G12-G38-44	4+4	50	30	5.5	6.5	111	130	26	G1/2"	G3/8"

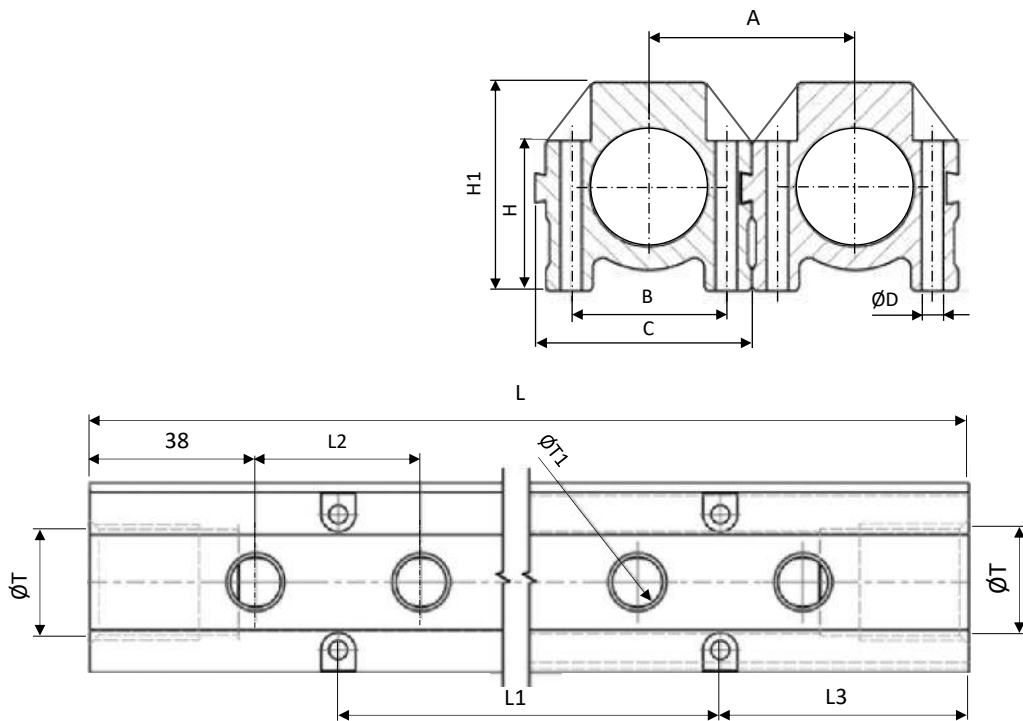
Per tappi e raccordi di riduzione vedere da pag. 111. – For plugs and fittings see from page 111



PM400

COLLETORE IN ALLUMINIO ANODIZZATO per distribuzione di aria e liquidi a bassa pressione. Campo di temperatura di esercizio -10 / +100°C. Disponibile in colore rosso e blu. Pressione massima di esercizio 20 Bar.

ANODIZED ALUMINIUM MANIFOLD for air and low pressure liquids. Red and blue colour. Temperature range -10 / +100°C. Max. working pressure 20 Bar.



Specificare «R» per collettore rosso o «B» per blu
Specify «R» for red or «B» for blue manifold

Codice-Code	NR USCITE NR GATES	A	B	C	ØD	H	H1	L	L1	L2	L3	ØT	ØT1
PM400-G34-04XG14-__	4							190	76				
PM400-G34-06XG14-__	6	45	33	46.5	4.5	30	41	266	152	38	57	G3/4"	G1/4"
PM400-G34-08XG14-__	8							342	228				
PM400-G34-04XG38-__	4							229	102				
PM400-G34-06XG38-__	6	45	33	46.5	4.5	30	41	331	204	51	65	G3/4"	G3/8"
PM400-G34-08XG38-__	8							433	306				
PM400-G1-04XG14-__	4							190	76				
PM400-G1-06XG14-__	6							266	152				
PM400-G1-08XG14-__	8	53	40.5	54.5	7.2	36.5	49.5	342	228	38	57	G1"	G1/4"
PM400-G1-10XG14-__	10							418	304				
PM400-G1-12XG14-__	12							494	380				
PM400-G1-16XG14-__	16							646	532				
PM400-G1-04XG38-__	4							229	102				
PM400-G1-06XG38-__	6							331	204				
PM400-G1-08XG38-__	8	53	40.5	54.5	7.2	36.5	49.5	433	306	51	65	G1"	G3/8"
PM400-G1-10XG38-__	10							535	408				
PM400-G1-12XG38-__	12							637	510				
PM400-G1-16XG38-__	16							841	714				
PM400-G1-04XG12-__	4							229	102				
PM400-G1-06XG12-__	6							331	204				
PM400-G1-08XG12-__	8	53	40.5	54.5	7.2	36.5	49.5	433	306	51	65	G1"	G1/2"
PM400-G1-10XG12-__	10							535	408				
PM400-G1-12XG12-__	12							637	510				

Per la scelta di rubinetti da pag. 237
For ball valves page 237.



Per raccordi di riduzione vedere da pag. 111
For fittings see from page 111



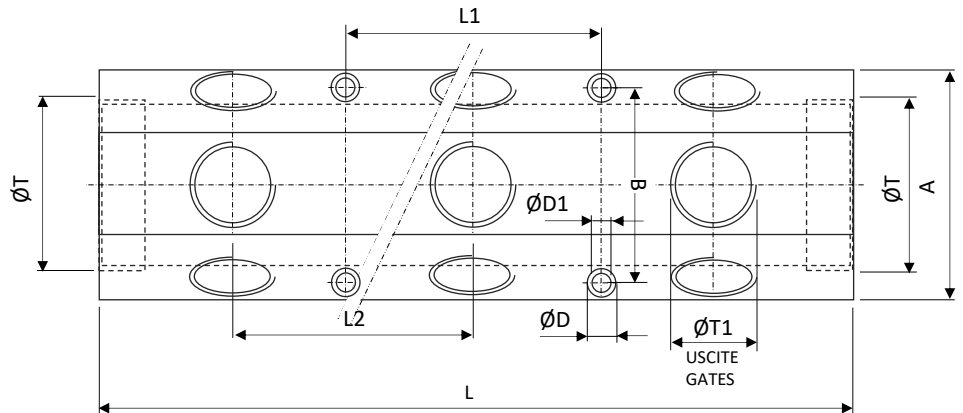
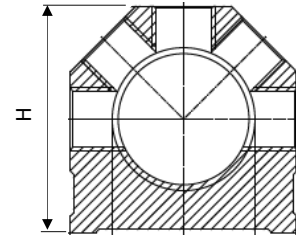
PM500

COLLETTORE IN ALLUMINIO ANODIZZATO SERIE MULTI per distribuzione di aria e liquidi a bassa pressione.

Campo di temperatura di esercizio -10 / +100°C. Pressione massima di esercizio 20 Bar.

ANODIZED ALUMINIUM MANIFOLD MULTI SERIES for air and low pressure liquids.

Temperature range -10 / +160°C. Max. working pressure 20 Bar.



Per la scelta di rubinetti da pag. 237
 For ball valves page 237.



Per raccordi di riduzione vedere da pag. 111
 For fittings see from page 111

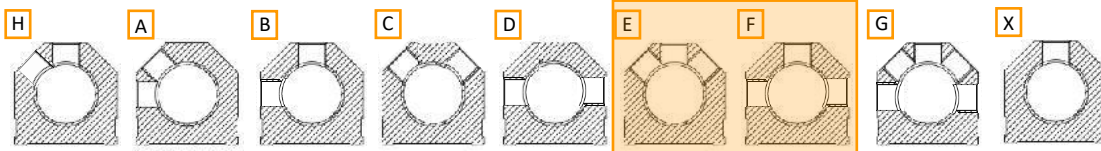


Codice-Code	Nr. Uscite Nr. Gates	A	B	D	D1	H	L	L1	L2	ØT	ØT1
PM500-G34-_-02XG14-_-	2	40.8	33	6.5	4.5	42	74	-	31	G3/4"	1/4"
PM500-G34-_-04XG14-_-	4	40.8	33	6.5	4.5	42	132	62	31	G3/4"	1/4"
PM500-G34-_-06XG14-_-	6	40.8	33	6.5	4.5	42	194	124	31	G3/4"	1/4"
PM500-G34-_-08XG14-_-	8	40.8	33	6.5	4.5	42	256	186	31	G3/4"	1/4"
PM500-G34-_-02XG38-_-	2	40.8	33	6.5	4.5	42	90	-	31	G3/4"	3/8"
PM500-G34-_-04XG38-_-	4	40.8	33	6.5	4.5	42	165	80	31	G3/4"	3/8"
PM500-G34-_-06XG38-_-	6	40.8	33	6.5	4.5	42	245	160	31	G3/4"	3/8"
PM500-G34-_-08XG38-_-	8	40.8	33	6.5	4.5	42	325	240	31	G3/4"	3/8"
PM500-G1-_-02XG14-_-	2	54	41.5	10.5	6.5	48	103	-	40	G1"	1/4"
PM500-G1-_-04XG14-_-	4	54	41.5	10.5	6.5	48	183	80	40	G1"	1/4"
PM500-G1-_-06XG14-_-	6	54	41.5	10.5	6.5	48	263	160	40	G1"	1/4"
PM500-G1-_-08XG14-_-	8	54	41.5	10.5	6.5	48	343	240	40	G1"	1/4"
PM500-G1-_-10XG14-_-	10	54	41.5	10.5	6.5	48	423	320	40	G1"	1/4"
PM500-G1-_-12XG14-_-	12	54	41.5	10.5	6.5	48	503	400	40	G1"	1/4"
PM500-G1-_-16XG14-_-	16	54	41.5	10.5	6.5	48	663	560	40	G1"	1/4"
PM500-G1-_-02XG38-_-	2	57	41.5	10.5	6.5	48	103	-	40	G1"	3/8"
PM500-G1-_-04XG38-_-	4	57	41.5	10.5	6.5	48	183	80	40	G1"	3/8"
PM500-G1-_-06XG38-_-	6	57	41.5	10.5	6.5	48	263	160	40	G1"	3/8"
PM500-G1-_-08XG38-_-	8	57	41.5	10.5	6.5	48	343	240	40	G1"	3/8"
PM500-G1-_-10XG38-_-	10	57	41.5	10.5	6.5	48	418	304	40	G1"	3/8"
PM500-G1-_-12XG38-_-	12	57	41.5	10.5	6.5	48	494	380	40	G1"	3/8"
PM500-G1-_-16XG38-_-	16	57	41.5	10.5	6.5	48	646	532	40	G1"	3/8"
PM500-G1-_-04XG12-_-	4	57	41.5	10.5	6.5	48	229	102	51	G1"	G1/2"
PM500-G1-_-06XG12-_-	6	57	41.5	10.5	6.5	48	331	204	51	G1"	G1/2"
PM500-G1-_-08XG12-_-	8	57	41.5	10.5	6.5	48	433	306	51	G1"	G1/2"
PM500-G1-_-10XG12-_-	10	57	41.5	10.5	6.5	48	535	408	51	G1"	G1/2"
PM500-G1-_-12XG12-_-	12	57	41.5	10.5	6.5	48	637	510	51	G1"	G1/2"
PM500-G114-_-02XG14-_-	2	60	50	10.5	6.5	60	152	-	51	G1"1/4	1/4"
PM500-G114-_-04XG14-_-	4	60	50	10.5	6.5	60	254	101.6	51	G1"1/4	1/4"
PM500-G114-_-06XG14-_-	6	60	50	10.5	6.5	60	355	203.2	51	G1"1/4	1/4"
PM500-G114-_-08XG14-_-	8	60	50	10.5	6.5	60	457	304.8	51	G1"1/4	1/4"
PM500-G114-_-02XG38-_-	2	60	50	10.5	6.5	60	152	-	51	G1"1/4	3/8"
PM500-G114-_-04XG38-_-	4	60	50	10.5	6.5	60	254	101.6	51	G1"1/4	3/8"
PM500-G114-_-06XG38-_-	6	60	50	10.5	6.5	60	355	203.2	51	G1"1/4	3/8"
PM500-G114-_-08XG38-_-	8	60	50	10.5	6.5	60	457	304.8	51	G1"1/4	3/8"
PM500-G114-_-02XG12-_-	2	60	50	10.5	6.5	60	152	-	51	G1"1/4	G1/2"
PM500-G114-_-04XG12-_-	4	60	50	10.5	6.5	60	254	101.6	51	G1"1/4	G1/2"
PM500-G114-_-06XG12-_-	6	60	50	10.5	6.5	60	355	203.2	51	G1"1/4	G1/2"
PM500-G114-_-08XG12-_-	8	60	50	10.5	6.5	60	457	304.8	51	G1"1/4	G1/2"
PM500-G112-_-02XG38-_-	2	76	57	10.5	6.5	76	152	-	51	G1"1/2	3/8"
PM500-G112-_-04XG38-_-	4	76	57	10.5	6.5	76	254	101.6	51	G1"1/2	3/8"
PM500-G112-_-06XG38-_-	6	76	57	10.5	6.5	76	355	203.2	51	G1"1/2	3/8"
PM500-G112-_-08XG38-_-	8	76	57	10.5	6.5	76	457	304.8	51	G1"1/2	3/8"
PM500-G112-_-02XG12-_-	2	76	57	10.5	6.5	76	152	-	51	G1"1/2	G1/2"
PM500-G112-_-04XG12-_-	4	76	57	10.5	6.5	76	254	101.6	51	G1"1/2	G1/2"
PM500-G112-_-06XG12-_-	6	76	57	10.5	6.5	76	355	203.2	51	G1"1/2	G1/2"
PM500-G112-_-08XG12-_-	8	76	57	10.5	6.5	76	457	304.8	51	G1"1/2	G1/2"

R Rosso-Red COLORE (Specificare)
B Blu – Blue COLOUR (Specify)

VERSIONE (Specificare)
VERSION (Specify)

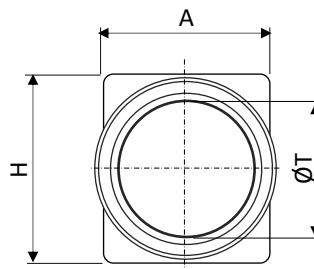
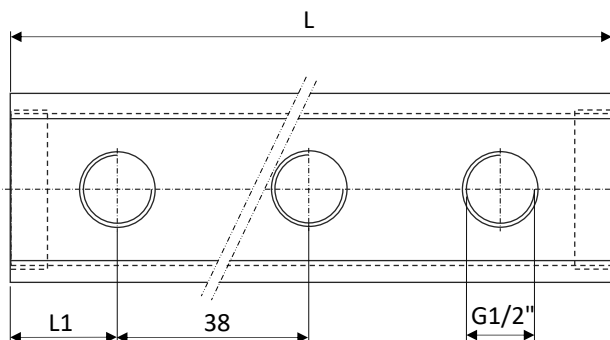
STANDARD



PM100 COLLETTORE OTTONE NICHELATO. Versione con **interasse** da 38 mm.
 NIKEL PLATED BRASS MANIFOLD – 38 mm. **interaxe** version.


Collettore in ottone nichelato per distribuzione di aria e liquidi a bassa pressione. Temperatura max. di esercizio +120°C. Pressione massima di esercizio 20 Bar.

Nikel plated manifold for air and low pressure liquids. Max. working temperature +120°C. Max. working pressure 20 Bar.



Codice-Code	N. USCITE N. GATES	A	H	L	L1	ØT
PM100-G34-02XG12-N	2	31	34	88	25	G3/4"
PM100-G34-03XG12-N	3			126		
PM100-G34-04XG12-N	4			164		
PM100-G34-05XG12-N	5			202		
PM100-G34-06XG12-N	6			240		
PM100-G34-08XG12-N	8			316		
PM100-G34-10XG12-N	10			392		
PM100-G1-03XG12-NC	3	37.5	37	136	30	G1"
PM100-G1-04XG12-NC	4			174		
PM100-G1-05XG12-NC	5			212		
PM100-G1-06XG12-NC	6			250		
PM100-G1-08XG12-NC	8			326		
PM100-G1-10XG12-NC	10			402		
PM100-G1-12XG12-NC	12			440		

Per la scelta di rubinetti da pag. 237
 For ball valves page 237.



Per raccordi di riduzione vedere da pag. 111
 For fittings see from page 111



Per soluzioni di staffaggio vedi pag. 230-236
 For clamping solutions see page 230-236

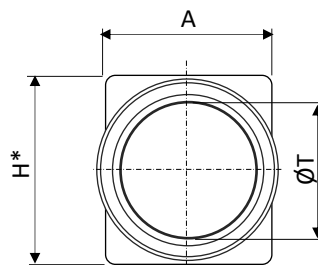
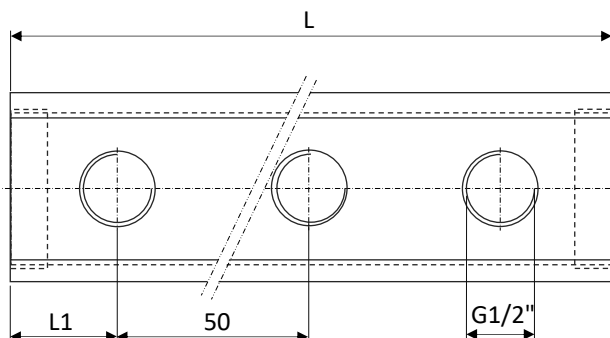


PM100 COLLETTORE OTTONE NICHELATO. Versione con **interasse** da 50 mm.
 NIKEL PLATED BRASS MANIFOLD – 50 mm. **interaxe** version.



Collettore in ottone nichelato per distribuzione di aria e liquidi a bassa pressione. Temperatura max. di esercizio +120°C. Pressione massima di esercizio 20 Bar.

Nikel plated manifold for air and low pressure liquids. Max. working temperature +120°C. Max. working pressure 20 Bar.



Codice-Code	N. USCITE N. GATES	A	H	L	L1	ØT
PM100-G1-03XG12-N	3	37.5	37	160	30	G1"
PM100-G1-04XG12-N	4			210		
PM100-G1-05XG12-N	5			260		
PM100-G1-06XG12-N	6			310		
PM100-G1-08XG12-N	8			410		
PM100-G1-10XG12-N	10			510		
PM100-G1-12XG12-N	12			610		
PM100-G114-03XG12-N	3	47	50	160	30	G1"1/4
PM100-G114-04XG12-N	4			210		
PM100-G114-05XG12-N	5			260		
PM100-G114-06XG12-N	6			310		
PM100-G114-08XG12-N	8			410		
PM100-G114-10XG12-N	10			510		
PM100-G114-12XG12-N	12			610		

Per la scelta di rubinetti da pag. 237
 For ball valves page 237.



Per raccordi di riduzione vedere da pag. 111
 For fittings see from page 111

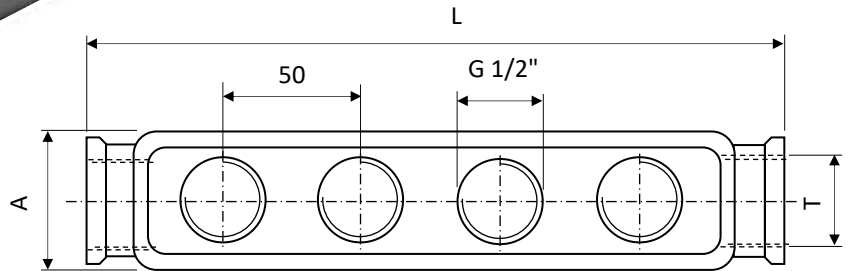
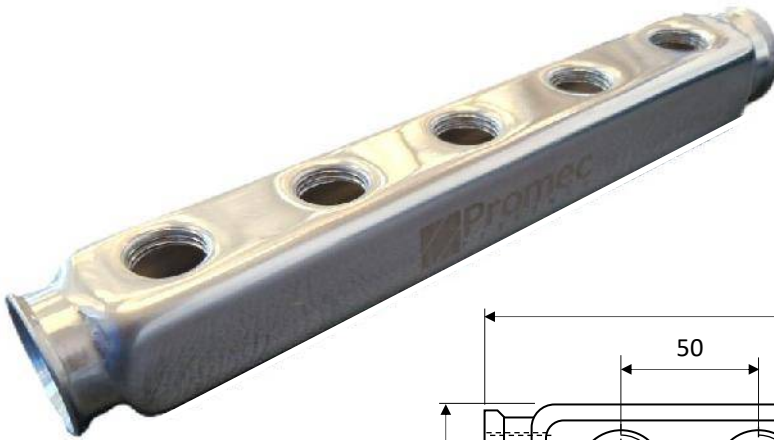


Per soluzioni di staffaggio vedi pag. 230-236
 For clamping solutions see page 230-236



PM350

DISTRIBUTORI IN AISI 304 15 Bar 200°C – USCITE FIL. FEMMINA 1/2" BSPP
AISI 304 STAINLESS STEEL MANIFOLD 15 Bar 200°C – 1/2" BSPP FEMALE THREAD GATES



Codice-Code	N. USCITE N. GATES	A	L	ØT
PM350-G1-02XG12-N	2	40	125	G1"
PM350-G1-03XG12-N	3	40	175	G1"
PM350-G1-04XG12-N	4	40	225	G1"
PM350-G1-05XG12-N	5	40	275	G1"
PM350-G1-06XG12-N	6	40	325	G1"
PM350-G1-08XG12-N	8	40	425	G1"
PM350-G1-10XG12-N	10	40	525	G1"
PM350-G1-12XG12-N	12	40	625	G1"
PM350-G1-13XG12-N	13	40	675	G1"
PM350-G114-06XG12-N	6	50	325	G1"1/4
PM350-G114-08XG12-N	8	50	425	G1"1/4
PM350-G114-10XG12-N	10	50	525	G1"1/4
PM350-G114-12XG12-N	12	50	625	G1"1/4
PM350-G114-13XG12-N	13	50	675	G1"1/4

PC2260

TAPPO OTTONE NICHELATO CON O-RING
NIKEL PLATED BRASS PLUG WITH O-RING



	Codice-Code	MISURA SIZE
NBR	PC2260-G12	G1/2"
FKM	PC2260-G12-V	
NBR	PC2260-G1-V	G1"
FKM	PC2260-G1-V	
NBR	PC2260-G114-V	G1"1/4
FKM	PC2260-G114-V	

Per la scelta di rubinetti da pag. 237
 For ball valves page 237.



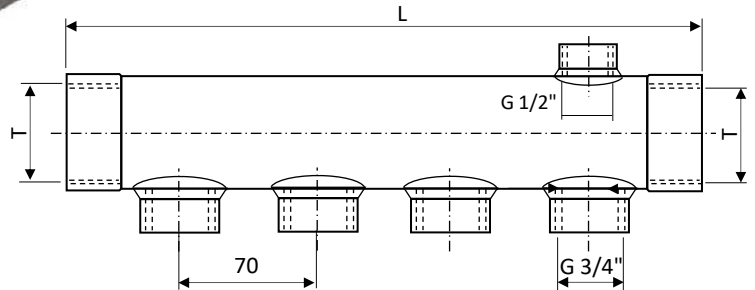
Per raccordi di riduzione vedere da pag. 111
 For fittings see from page 111



Per soluzioni di staffaggio vedi pag. 230-236
 For clamping solutions see page 230-236



PM370 DISTRIBUTORI IN AISI 304 PER PORTATE ELEVATE 180°C, 15 Bar.
 AISI 304 STAINLESS STEEL MANIFOLD FOR HIGH FLOW 180°C 15 Bar.



Codice-Code	N. USCITE N. GATES	H	H1	L	L1	ØT
-------------	-----------------------	---	----	---	----	----

PM370-G112-04XG034-N	4			291		
PM370-G112-06XG034-N	6			431		
PM370-G112-08XG034-N	8	83	59	571	125	G1"1/2
PM370-G112-10XG034-N	10			711		
PM370-G112-12XG034-N	12			851		
PM370-G112-14XG034-N	14			991		
PM370-G2-04XG034-N	4			299		
PM370-G2-06XG034-N	6			439		
PM370-G2-08XG034-N	8	87	63	579	135	G2"
PM370-G2-10XG034-N	10			719		
PM370-G2-12XG034-N	12			859		
PM370-G2-14XG034-N	14			999		

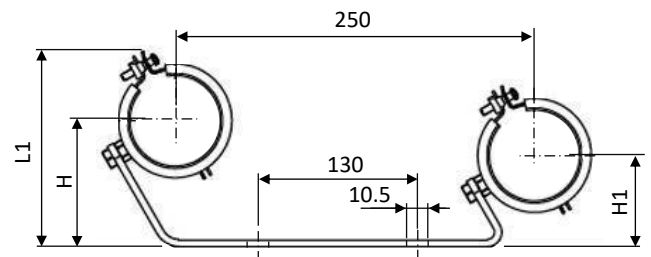
PC2264 TAPPO OTTONE NICHELATO CON O-RING
 NIKEL PLATED BRASS PLUG WITH O-RING



Codice-Code	MISURA SIZE
-------------	----------------

NBR PC2264-G112	G1"1/2
FKM PC2264-G112-V	
NBR PC2264-G2	G2"
FKM PC2264-G2-V	

PM372 STAFFA PER PM M370 (solo NBR 90°C)
 PM370 BRACKET (ONLY NBR 90°C)



Codice-Code	MISURA SIZE	H	H1	L	L1	ØT
-------------	----------------	---	----	---	----	----

NBR PM372-G112	1"1/4	83	59	250	-	-
NBR PM372-G2	2"	87	63	-	-	-

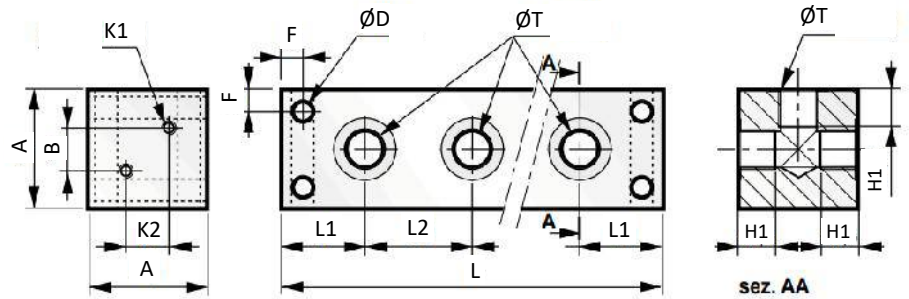
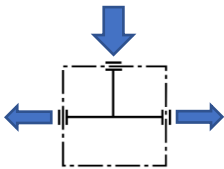
PM379 FASCIA ISOLANTE PER PM370 – THERMO-INSULATING BELT FOR PM370



Codice-Code	N. USCITE N. GATES
-------------	-----------------------

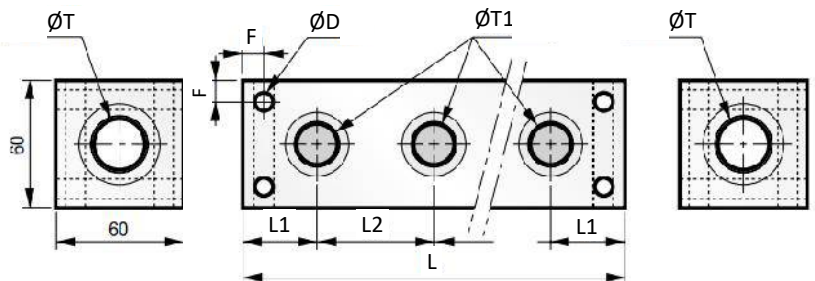
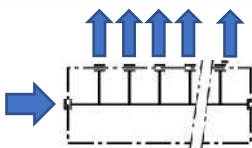
Fascia intermedia 1"1/2 - Intermediate belt 1"1/2	PM379-G112-I	3
Fascia terminale 1"1/2 - terminal belt 1"1/2	PM379-G112-T	3
Fascia intermedia 2" - Intermediate belt 2"	PM379-G2-I	3
Fascia terminale 2" - Terminal belt 2"	PM379-G2-T	3

**PM902 COLLETTORE IN ALLUMINIO PER CIRCUITI OLEODINAMICI. Pressione max. 200 Bar.
HIGH PRESSURE ALUMINIUM MANIFOLD. Max. working pressure 200 Bar.**



Codice-Code	N. USCITE N. GATES	A	B	D	F	L	L1	L2	K	K1	ØT
PM902-2XG14	2x2	40	28	6.5	6	100	30	40	(2x) M5x10	16	G1/4"
PM902-4XG14	4x2	40	28	6.5	6	180	30	40		16	G1/4"
PM902-6XG14	6x2	40	28	6.5	6	260	30	40		16	G1/4"
PM902-2XG38	2x2	50	34	8	8	115	35	45	(2x) M6x12	18	G3/8"
PM902-4XG38	4x2	50	34	8	8	205	35	45		18	G3/8"
PM902-6XG38	6x2	50	34	8	8	295	35	45		18	G3/8"
PM902-2XG12	2x2	60	40	10	8.5	125	35	55	(4x) M6x12	24	G1/2"
PM902-4XG12	4x2	60	40	10	8.5	235	35	55		24	G1/2"
PM902-6XG12	6x2	60	40	10	8.5	345	35	55		24	G1/2"

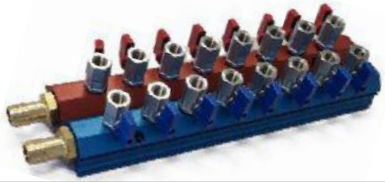
PM901



Codice-Code	N. USCITE N. GATES	A	B	D	F	L	L1	L2	ØT	ØT1
PM901-G14-2XG18	2	35	25	4.5	5	70	20	30	G1/8"	G1/4"
PM901-G14-4XG18	4	35	25	4.5	5	130	20	30		G1/4"
PM901-G38-2XG14	2	40	28	6.5	6	100	30	40		G1/4"
PM901-G38-4XG14	4	40	28	6.5	6	180	30	40	G3/8"	G1/2"
PM901-G38-6XG14	6	40	28	6.5	6	260	30	40		G1/2"
PM901-G12-2XG38	2	50	34	8	8	115	35	45		G1/2"
PM901-G12-4XG38	4	50	34	8	8	205	35	45	G1/2"	
PM901-G12-6XG38	6	50	34	8	8	295	35	45		
PM901-G34-2XG12	2	60	40	10	8.5	125	35	55		
PM901-G34-4XG12	4	60	40	10	8.5	235	35	55	G1/2"	G3/4"
PM901-G34-6XG12	6	60	40	10	8.5	345	35	55		

Per tappi e raccordi di riduzione vedere da pag. 111. – For plugs and fittings see from page 111





COLLETTORI IN ALLUMINIO ANODIZATO 120°C
120°C ANODIZED ALUMINIUM MANIFOLD **PM400A** 222



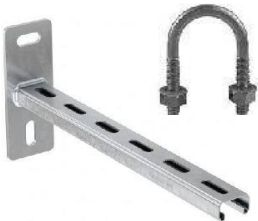
COLLETTORI IN OTTONE NICHELATO 120°C
120°C NIKEL PLATED BRASS MANIFOLD **PM100A** 224



COLLETTORI IN ACCIAIO INOX 150°C
150°C STAINLESS STEEL MANIFOLD **PM350A** 226



COLLETTORI IN ACCIAIO INOX ASSEMBLATI 180°C
180°C CASSEMBLED STAINLESS STEEL MANIFOLD **PM350A** 228



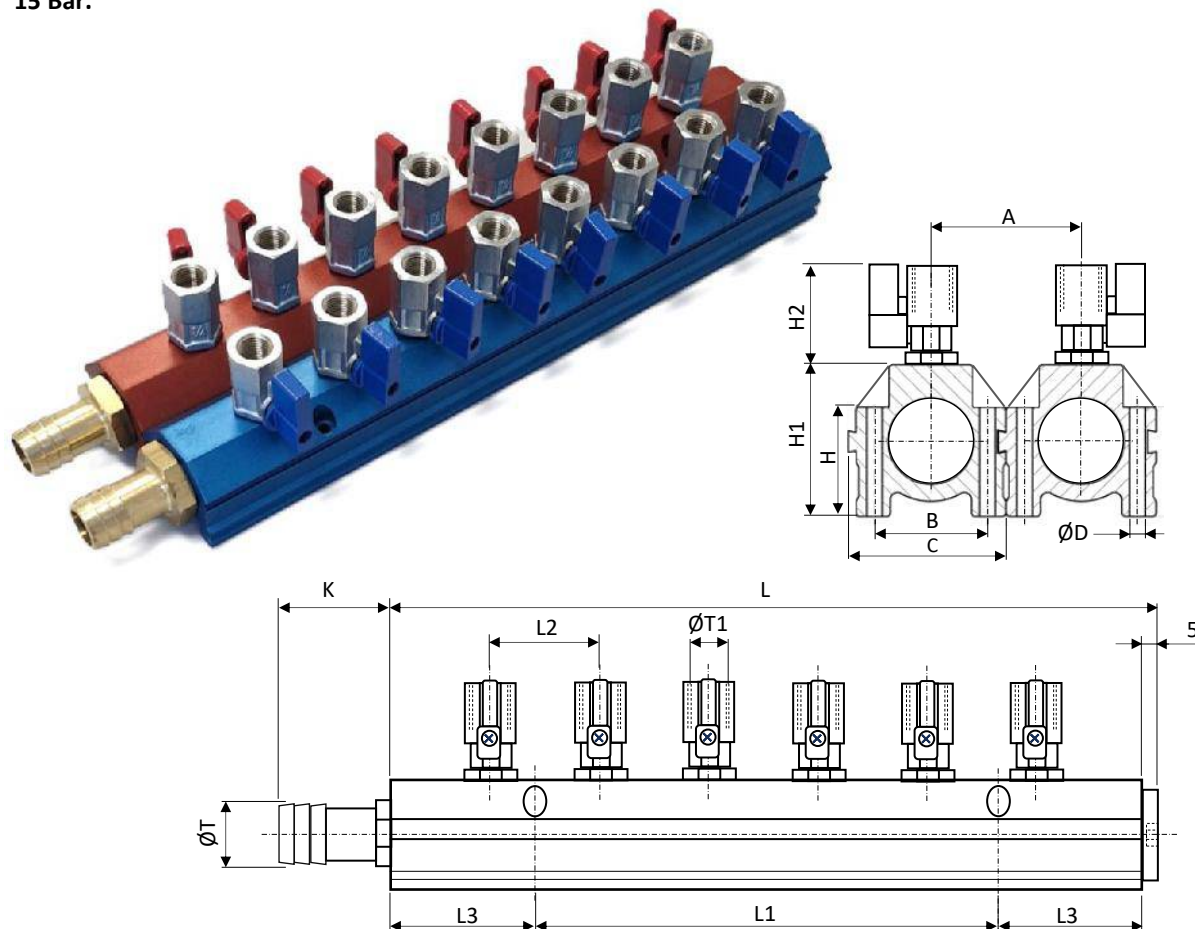
SOLUZIONI DI STAFFAGGIO COLLETTORI
MANIFOLD CLAMPING SOLUTIONS

**230-
236**

PM400-A

Distributori in **alluminio anodizzato** completi di mini-valvole a sfera. I fori passanti per lo staffaggio sono integrati nel corpo dei distributori. In alternativa altre soluzioni per lo staffaggio a pag. 230-235. **Temperatura max. di esercizio 120°C; pressione max. di esercizio 15 Bar.**

Anodized aluminum manifold with ball mini-valves on outlets. Clamping holes are integrated in the body. As alternative see clamping accessories at pages 230-235. **Max. working temperature 120°C; Max. working pressure 15 Bar.**



Caratteristiche costruttive:

Distributore in alluminio anodizzato; mini valvole a sfera con corpo in ottone; leva in alluminio verniciato a polvere; sfera in acciaio inox; guarnizioni in PTFE; O-Ring EPDM. Tappo posteriore in Ottone nichelato con O-Ring in FKM. Portagomma anteriore in Ottone a tenuta stagna con sigillante liquido. Eventuali riduzioni filettate per le uscite in Ottone nichelato.

Fluidi utilizzabili: acqua, acqua e glicole, olio diatermico.

Construction features:

Anodized aluminum manifold. Brass body mini ball-valve with painted aluminum lever. Stainless steel ball. PTFE seal and EPDM O-Ring. Nickel plated brass back-side plug with FKM O-Ring. Yellow brass hose tail fitted with sealant. Nickel plated brass reduction fittings (optionals) with FKM O-Ring.

Working fluids: water, water+glycol, diathermic oil.

Per soluzioni di staffaggio vedi pag. 230-236

For clamping solutions see page 230-236



Codice-Code	NR USCITE NR GATES	A	B	C	∅D	H	H1	H2	K	L	L1	L2	L3	∅T	∅T1	colore color
PM400A-A3404X14-B	4									195	76					Blue/Red
PM400A-A3404X14-R																
PM400A-A3406X14-B	6							35		271	152	38	57		G1/4"	Blue/Red
PM400A-A3406X14-R																
PM400A-A3408X14-B	8									347	228					Blue/Red
PM400A-A3408X14-R																
PM400A-A3404X38-B	4	45	33	46.5	4.5	30	41		34	234	102			19		Blue/Red
PM400A-A3404X38-R																
PM400A-A3406X38-B	6							36		336	204	51	65		G3/8"	Blue/Red
PM400A-A3406X38-R																
PM400A-A3408X38-B	8									438	306					Blue/Red
PM400A-A3408X38-R																
PM400A-A104X14-B	4									195	76					Blue/Red
PM400A-A104X14-R																
PM400A-A106X14-B	6									271	152					Blue/Red
PM400A-A106X14-R																
PM400A-A108X14-B	8									347	228					Blue/Red
PM400A-A108X14-R																
PM400A-A110X14-B	10								35	423	304	38	57		G1/4"	Blue/Red
PM400A-A110X14-R																
PM400A-A112X14-B	12									499	380					Blue/Red
PM400A-A112X14-R																
PM400A-A116X14-B	16									651	532					Blue/Red
PM400A-A116X14-R																
PM400A-A104X38-B	4									234	102					Blue/Red
PM400A-A104X38-R																
PM400A-A106X38-B	6									336	204					Blue/Red
PM400A-A106X38-R																
PM400A-A108X38-B	8	53	40.5	54.5	7.2	36.5	49.5		34	438	306			25		Blue/Red
PM400A-A108X38-R																
PM400A-A110X38-B	10								36	540	408	51	65		G3/8"	Blue/Red
PM400A-A110X38-R																
PM400A-A112X38-B	12									642	510					Blue/Red
PM400A-A112X38-R																
PM400A-A116X38-B	16									846	714					Blue/Red
PM400A-A116X38-R																
PM400A-A104X12-B	4									234	102					Blue/Red
PM400A-A104X12-R																
PM400A-A106X12-B	6									336	204					Blue/Red
PM400A-A106X12-R																
PM400A-A108X12-B	8								38	438	306	51	65		G1/2"	Blue/Red
PM400A-A108X12-R																
PM400A-A110X12-B	10									540	408					Blue/Red
PM400A-A110X12-R																
PM400A-A112X12-B	12									642	510					Blue/Red
PM400A-A112X12-R																

B



C



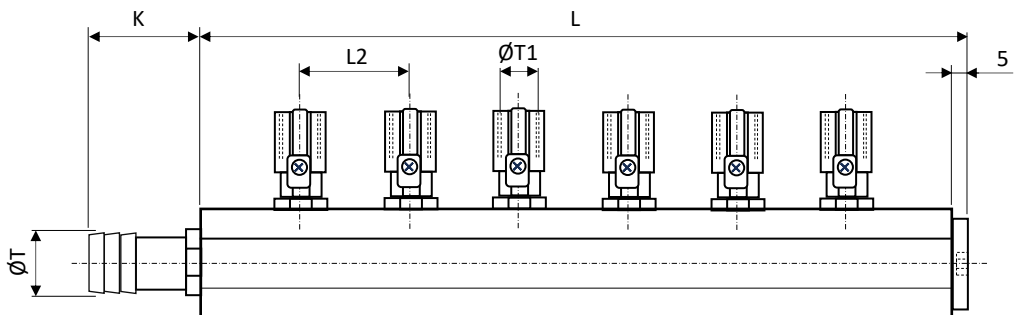
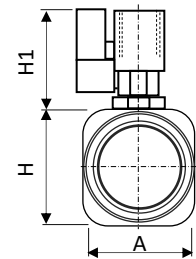
PER VERSIONE CON VALVOLA IN INGRESSO SOSTITUIRE "A" CON "B" PER VALVOLA DRITTA, "C" PER VALVOLA A 90°. Dimensioni di ingombro a pag. 241

FOR VERSION WITH INLET BALL VALVE REPLACE "A" WITH "B" FOR IN-LINE VALVE OR "C" FOR 90° VALVE. Overall dimensions at page 241.

PM100-A

Distributori in **ottone nichelato** con INTERASSE RIDOTTO completi di mini-valvole a sfera. Soluzioni per lo staffaggio a pag. 230-235. **Temperatura max. di esercizio 120°C. Pressione max. di esercizio 15 Bar.**

Nikel plated brass manifold COMPACT VERSION with ball mini-valves on outlets. Clamping solutions at pages 230-235. **Max working temperature 120°C. Max. working pressure 15 Bar.**



Caratteristiche costruttive:

Distributore in Ottone nichelato; mini valvole a sfera con corpo in ottone; leva in alluminio verniciato a polvere; sfera in acciaio inox; guarnizioni in PTFE; O-Ring EPDM. Tappo posteriore in Ottone nichelato con O-Ring in FKM. Portagomma anteriore in Ottone a tenuta stagna con sigillante liquido. Eventuali riduzioni filettate per le uscite in Ottone nichelato.

Fluidi utilizzabili: acqua, acqua e glicole, olio diatermico.

Construction features:

Nikel plated brass manifold. Brass body mini ball-valve with painted aluminum lever. Stainless steel ball. PTFE seal and EPDM O-Ring. Nickel plated brass back-side plug with FKM O-Ring. Yellow brass hose tail fitted with sealant. Nickel plated brass reduction fittings (optionals) with FKM O-Ring.

Working fluids: water, water+glycol, diathermic oil.

Per soluzioni di staffaggio vedi pag. 230-236

For clamping solutions see page 230-236



Codice-Code	NR USCITE NR GATES	A	H	H1	K	L	L1	L2	ØT	ØT1	colore color
PM100A-A3403X14-B	3					131					Blue/Red
PM100A-A3403X14-R											
PM100A-A3404X14-B	4					169					Blue/Red
PM100A-A3404X14-R											
PM100A-A3405X14-B	5					207					Blue/Red
PM100A-A3405X14-R											
PM100A-A3406X14-B	6			40		245			19	G1/4"	Blue/Red
PM100A-A3406X14-R											
PM100A-A3408X14-B	8					321					Blue/Red
PM100A-A3408X14-R											
PM100A-A3410X14-B	10					397					Blue/Red
PM100A-A3410X14-R											
PM100A-A3403X38-B	3	31	34		34	131	25	38			Blue/Red
PM100A-A3403X38-R											
PM100A-A3404X38-B	4					169					Blue/Red
PM100A-A3404X38-R											
PM100A-A3405X38-B	5					207					Blue/Red
PM100A-A3405X38-R											
PM100A-A3406X38-B	6			41		245			19	G3/8"	Blue/Red
PM100A-A3406X38-R											
PM100A-A3408X38-B	8					321					Blue/Red
PM100A-A3408X38-R											
PM100A-A3410X38-B	10					397					Blue/Red
PM100A-A3410X38-R											
PM100A-A103X38-B	3					141					Blue/Red
PM100A-A103X38-R											
PM100A-A104X38-B	4					179					Blue/Red
PM100A-A104X38-R											
PM100A-A105X38-B	5					217					Blue/Red
PM100A-A105X38-R											
PM100A-A106X38-B	6			41		255				G3/8"	Blue/Red
PM100A-A106X38-R											
PM100A-A108X38-B	8					331					Blue/Red
PM100A-A108X38-R											
PM100A-A110X38-B	10					407					Blue/Red
PM100A-A110X38-R											
PM100A-A112X38-B	12					445					Blue/Red
PM100A-A112X38-R											
PM100A-A103X12-B	3	37.5	37		34	141	30	38	25		Blue/Red
PM100A-A103X12-R											
PM100A-A104X12-B	4					179					Blue/Red
PM100A-A104X12-R											
PM100A-A105X12-B	5					217					Blue/Red
PM100A-A105X12-R											
PM100A-A106X12-B	6			43		255				G1/2"	Blue/Red
PM100A-A106X12-R											
PM100A-A108X12-B	8					331					Blue/Red
PM100A-A108X12-R											
PM100A-A110X12-B	10					407					Blue/Red
PM100A-A110X12-R											
PM100A-A112X12-B	12					445					Blue/Red
PM100A-A112X12-R											



B

C

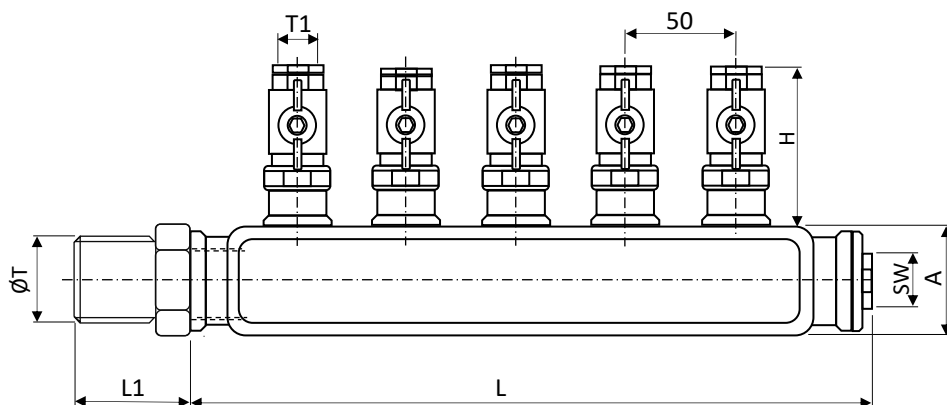
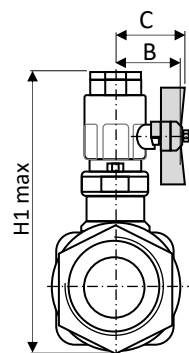
PER VERSIONE CON VALVOLA IN INGRESSO SOSTITUIRE "A" CON "B" PER VALVOLA DRITTA, "C" PER VALVOLA A 90°. Dimensioni di ingombro a pag. 241

FOR VERSION WITH INLET BALL VALVE REPLACE "A" WITH "B" FOR IN-LINE VALVE OR "C" FOR 90° VALVE. Overall dimensions at page 241.

PM350-A

Distributori in **acciaio inox** completi di valvole a sfera per acqua senza vapore ed olio diatermico. **Temperatura max. di esercizio 150°C. Pressione max. di esercizio 15 Bar.** Soluzioni per lo staffaggio a pag. 230-235.

Stainless steel manifold with ball valves for water without steam and diathermic oil. Max. working temperature 150°C. Max working pressure 15 Bar. Select clamping system at pages 230-235.



Caratteristiche costruttive:

Distributore in Aisi 304; Valvole a sfera con corpo in ottone; leva in alluminio verniciato a polvere; sfera in acciaio inox; guarnizioni in PTFE; O-Ring EPDM. Tappo posteriore in Ottone nichelato con O-Ring in FKM. Eventuali riduzioni filettate per le uscite in Ottone nichelato.

Fluidi utilizzabili: acqua, acqua e glicole, olio diatermico.

Construction features:

Aisi 304 Stainless Steel manifold. Brass body ball-valve with painted aluminum lever. Stainless steel ball. PTFE seal and EPDM O-Ring. Nickel plated brass back-side plug with FKM O-Ring. Nickel plated brass reduction fittings (optionals) with FKM O-Ring.

Working fluids: water, water+glycol, diathermic oil.

Per soluzioni di staffaggio vedi pag. 230-236

For clamping solutions see page 230-236



Codice - Code	N. Uscite N. Gates	A	B	C	H	H1	L	L1	ØT	ØT1	SW	colore color
PM350A-A104X14-AR	4				66.5	111	234		G1"	G1/4"	25	Red
PM350A-A104X14-AB												Blue
PM350A-A104X38-AR												Red
PM350A-A104X38-AB												Blue
PM350A-A104X12-AR	5			60	111	284		G1"	G1/2"	25	Red	
PM350A-A104X12-AB											Blue	
PM350A-A105X14-AR											Red	
PM350A-A105X14-AB											Blue	
PM350A-A105X38-AR	6	40	31	40	66.5	111	334	G1"	G3/8"	25	Red	
PM350A-A105X38-AB											Blue	
PM350A-A105X12-AR											Red	
PM350A-A105X12-AB											Blue	
PM350A-A106X14-AR	8			60	111	434		G1"	G1/2"	25	Red	
PM350A-A106X14-AB											Blue	
PM350A-A106X38-AR											Red	
PM350A-A106X38-AB											Blue	
PM350A-A106X12-AR	10			66.5	111	534		G1"	G3/8"	25	Red	
PM350A-A106X12-AB											Blue	
PM350A-A108X14-AR											Red	
PM350A-A108X14-AB											Blue	
PM350A-A108X38-AR	12			66.5	111	634		G1"	G3/8"	25	Red	
PM350A-A108X38-AB											Blue	
PM350A-A108X12-AR											Red	
PM350A-A108X12-AB											Blue	
PM350A-A110X14-AR	12			60	111	634		G1"	G1/2"	25	Red	
PM350A-A110X14-AB											Blue	
PM350A-A110X38-AR											Red	
PM350A-A110X38-AB											Blue	
PM350A-A110X12-AR	12			66.5	111	634		G1"	G3/8"	25	Red	
PM350A-A110X12-AB											Blue	
PM350A-A112X14-AR											Red	
PM350A-A112X14-AB											Blue	
PM350A-A112X38-AR	12			66.5	111	634		G1"	G3/8"	25	Red	
PM350A-A112X38-AB											Blue	
PM350A-A112X12-AR											Red	
PM350A-A112X12-AB											Blue	

Codice - Code	N. Uscite N. Gates	A	B	C	H	H1	L	L1	ØT	ØT1	SW	colore color
PM350A-A11406X38-AR	6				66.5	115	334		G1"1/4	G3/8"	38	Red
PM350A-A11406X38-AB												Blue
PM350A-A11406X12-AR												Red
PM350A-A11406X12-AB												Blue
PM350A-A11408X38-AR	8	50	35	40	66.5	115	434	116	G1"1/4	38	Red	
PM350A-A11408X38-AB											Blue	
PM350A-A11408X12-AR											Red	
PM350A-A11408X12-AB											Blue	
PM350A-A11410X38-AR	10			66.5	115	534		G1"1/4	G3/8"	38	Red	
PM350A-A11410X38-AB											Blue	
PM350A-A11410X12-AR											Red	
PM350A-A11410X12-AB											Blue	
PM350A-A11430X12-AR	12			60	115	634		G1"1/4	G3/8"	38	Red	
PM350A-A11430X12-AB											Blue	
PM350A-A11438X12-AR											Red	
PM350A-A11438X12-AB											Blue	
PM350A-A11412X12-AR	12			66.5	115	634		G1"1/4	G3/8"	38	Red	
PM350A-A11412X12-AB											Blue	
PM350A-A11412X12-AR	12			60	115	634		G1"1/4	G1/2"	38	Red	
PM350A-A11412X12-AB											Blue	



B

C

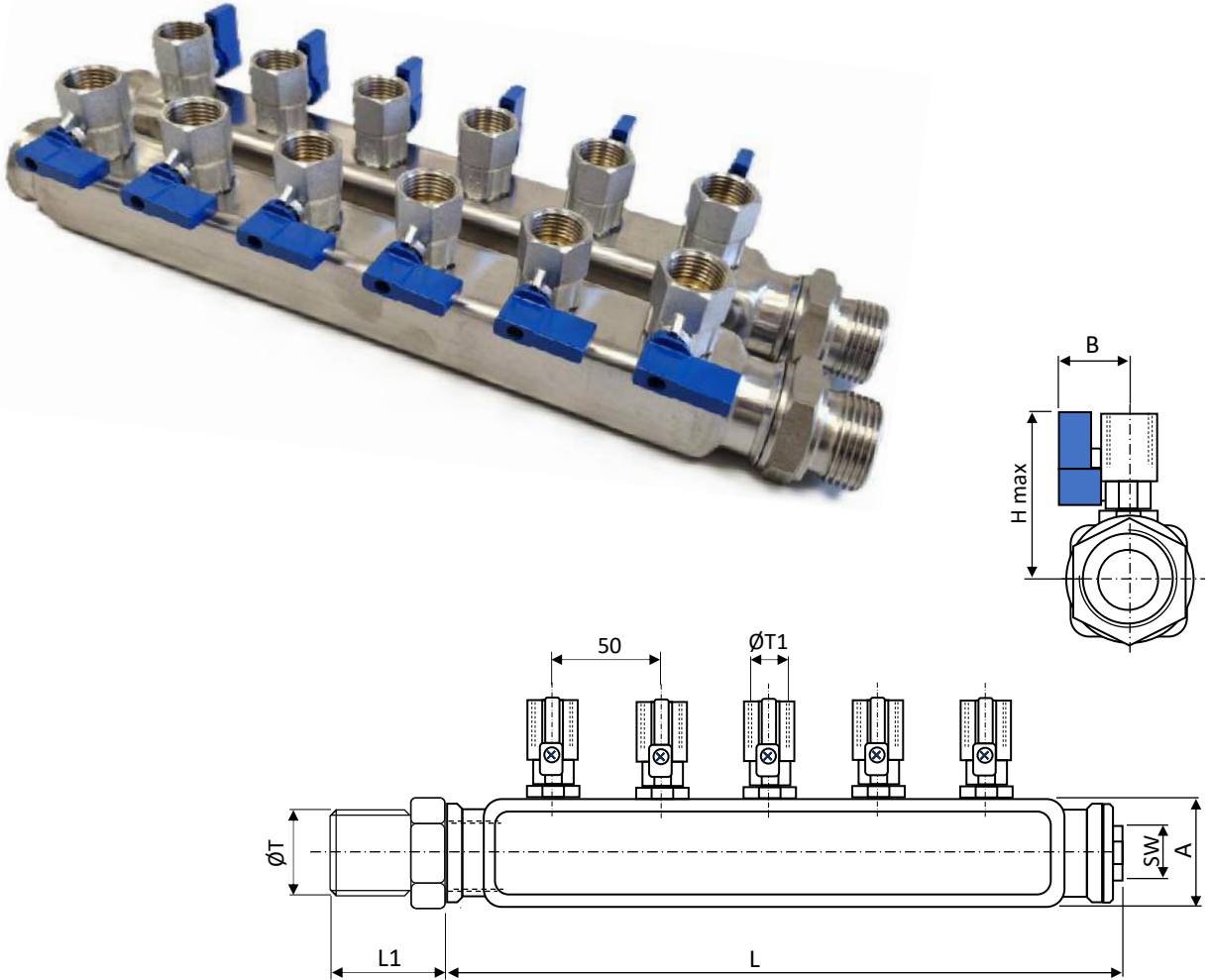
PER VERSIONE CON VALVOLA IN INGRESSO SOSTITUIRE "A" CON "B" PER VALVOLA DRITTA, "C" PER VALVOLA A 90°. Dimensioni di ingombro a pag. 241

FOR VERSION WITH INLET BALL VALVE REPLACE "A" WITH "B" FOR IN-LINE VALVE OR "C" FOR 90° VALVE. Overall dimensions at page 241.

PM350-A

Distributori in Aisi 304 completi di valvole a sfera per acqua ed olio diatermico fino a 180°C, 15 Bar. Soluzioni per lo staffaggio a pag. 230-235.

Stainless steel manifold with ball valves on outlets and in-line ball valve on inlet. 180°C max working temperature for water and diathermic oil 15 Bar max working pressure. Select clamping system at pages 230-235.



Caratteristiche costruttive:

Distributore in Aisi 304; Valvole a sfera in acciaio Inox, leva in alluminio verniciato a polvere; guarnizioni in PTFE; O-Ring FKM. Tappo posteriore in Ottone nichelato con O-Ring in FKM. Riduzioni filettate per le uscite in Ottone nichelato.

Fluidi utilizzabili: acqua, acqua e glicole, olio diatermico.

Construction features:

Aisi 304 stainless steel manifold. Stainless steel ball-valve with painted aluminium lever. PTFE seal and FKM O-Ring. Nickel plated brass back-side plug with FKM O-Ring. Reduction fittings (optional): nickel plated brass with FKM O-Rings.

Working fluids: water, water+glycol, diathermic oil.

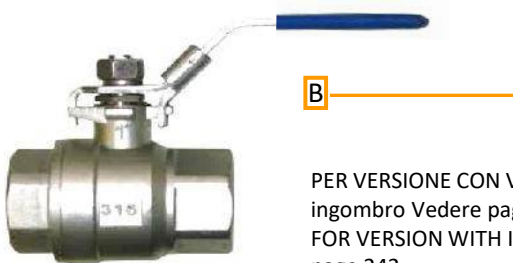
Per soluzioni di staffaggio vedi pag. 230-236

For clamping solutions see page 230-236



Codice - Code	$\frac{N. Uscite}{N. Gates}$	A	B	H	L	L1	$\varnothing T$	$\varnothing T1$	SW
PM350A-E104X14-XB	4	40	29	63	234	35	G1"	G1/4"	25
PM350A-E104X38-XB				58				G3/8"	
PM350A-E104X12-XB	5			63	284			G1/4"	
PM350A-E105X14-XB				58				G3/8"	
PM350A-E105X38-XB	6			63	334			G1/4"	
PM350A-E105X12-XB				58				G1/2"	
PM350A-E106X14-XB	8			63	434			G1/4"	
PM350A-E106X38-XB				58				G3/8"	
PM350A-E106X12-XB	10			63	534			G1/4"	
PM350A-E108X14-XB				58				G1/2"	
PM350A-E108X38-XB	12			63	634			G1/4"	
PM350A-E108X12-XB				58				G3/8"	
PM350A-E110X14-XB	10			63	534			G1/4"	
PM350A-E110X38-XB				58				G3/8"	
PM350A-E110X12-XB	12			63	634			G1/4"	
PM350A-E112X14-XB				58				G1/2"	
PM350A-E112X38-XB	12	63	634	G1/4"					
PM350A-E112X12-XB		58		G3/8"					

Codice - Code	$\frac{N. Uscite}{N. Gates}$	A	B	H	L	L1	$\varnothing T$	$\varnothing T1$	SW
PM350A-E11406X38-XB	6	50	29	63	334	36	G1"1/4	G3/8"	38
PM350A-E11406X12-XB				58				G1/2"	
PM350A-E11408X38-XB	8			63	434			G3/8"	
PM350A-E11408X12-XB				58				G1/2"	
PM350A-E11410X38-XB	10			63	534			G3/8"	
PM350A-E11410X12-XB				58				G1/2"	
PM350A-E11430X12-XB	12			63	634			G3/8"	
PM350A-E11412X12-XB				58				G1/2"	

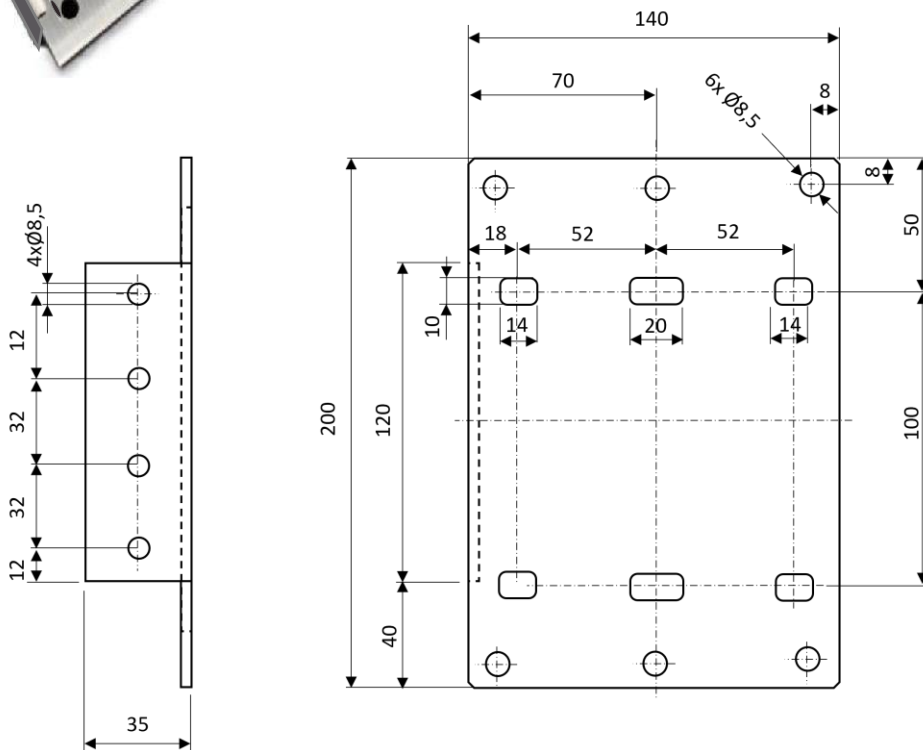


PER VERSIONE CON VALVOLA IN INGRESSO SOSTITUIRE "A" CON "B". Per le dimensioni di ingombro Vedere pag. 242.

FOR VERSION WITH INLET BALL VALVE REPLACE "A" WITH "B". For overall dimensions see page 242.

PM355-40-MC PIASTRA INOX UNIVERSALE PER COLLETTORI PM100 E PM350 40X40* COMPATTA
 STAINLESS STEEL UNIVERSAL COMPACT PLATE FOR 40X40 PM100 OR PM350 MANIFOLD*

PM355-50-MC PIASTRA INOX UNIVERSALE PER COLLETTORI PM100 E PM350 50X50*
 STAINLESS STEEL UNIVERSAL PLATE FOR 50X50 PM100 AND PM350 MANIFOLD*



- * Piastra fornita completa di piastre isolanti, viti, prolunghe, dadi e cavallotti
- * Plate supplied including thermos insulating plates, screws, nuts, pacers and u-bolts

PM355-PI1
 PIASTRA ISOLANTE DOPPIA PER PM355-MC
 THERMO-ISULATING DOUBLE PLATE FOR PM355-MC



PM355L-40 PIASTRA INOX UNIVERSALE PER COLLETTORI PM100 E PM350 40X40*
STAINLESS STEEL UNIVERSAL PLATE FOR 40X40 PM100 AND PM350 MANIFOLD*

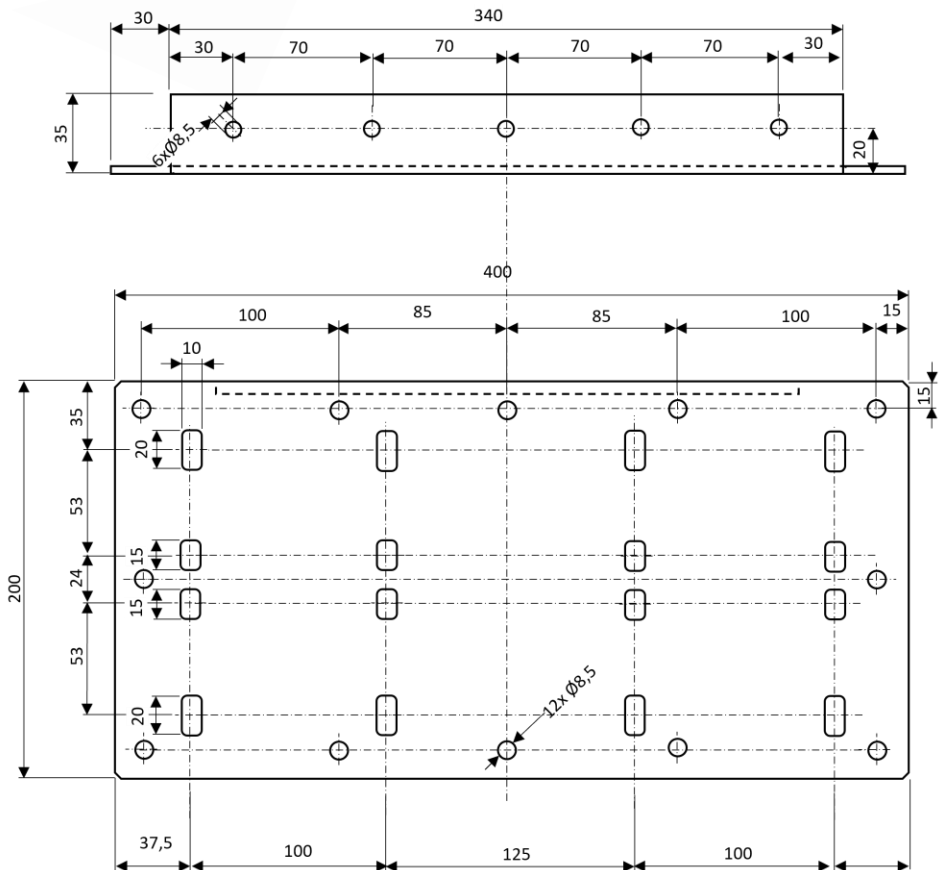
PM355L-50 PIASTRA INOX UNIVERSALE PER COLLETTORI PM100 E PM350 50X50*
STAINLESS STEEL UNIVERSAL PLATE FOR 50X50 PM100 AND PM350 MANIFOLD*

VERSIONE SUGGERITA PER COLLETTORI CON 10 O PIU' USCITE
SUGGESTED VERSION FOR MANIFOLDS WITH 10 OR MORE GATES



PM355-PI

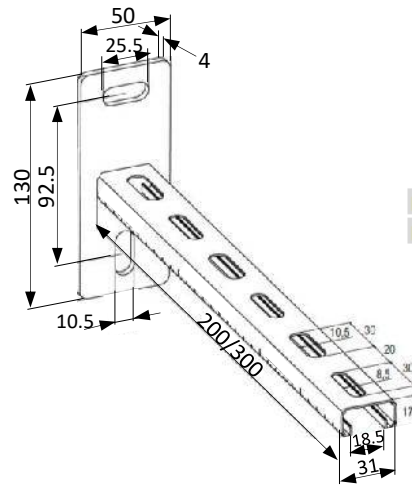
PIASTRA ISOLANTE SINGOLA PER PM355
THERMO-ISULATING SINGLE PLATE FOR PM355



* Piastra fornita completa di piastre isolanti, viti, prolunghe, dadi e cavallotti
* Plate supplied including thermos insulating plates, screws, nuts, pacers and u-bolts

PM353-01

MENSOLO IN ACCIAIO ZINCATO PER COLLARI E CAVALLOTTI
GALVANIZED STEEL CANTILEVER ARM FOR PIPE-CLAMPS AND U-BOLTS

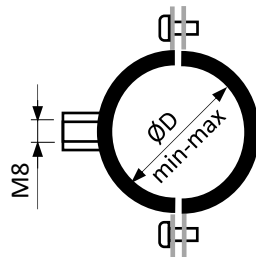


Codice-Code	lunghezza mm length mm
-------------	---------------------------

PM353-01-200	200
PM353-01-300	300

PM353-04

COLLARE IN ACCIAIO ZINCATO DI FISSAGGIO CON GUARNIZIONE NBR.
GALVANIZED STEEL CLAMPS WITH NBR SEAL

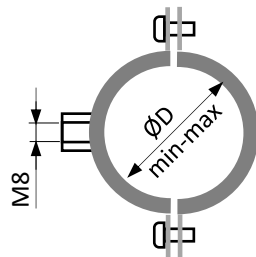


Codice-Code	ØD		H
	mm	inches	

PM353-04-1519	15-19	3/8"	-
PM353-04-2024	20-24	1/2"	-
PM353-04-2530	25-30	3/4"	-
PM353-04-3237	32-37	1"	-
PM353-04-4045	40-45	1"1/4"	-
PM353-04-4854	48-54	1"1/2"	-

PM353-02-HT

COLLARE IN ACCIAIO ZINCATO PER FISSAGGIO DISTRIBUTORI E TUBI CON GUARNIZIONE SILICONE – GALVANIZED STEEL PIPE CLAMPS FOR MANIFOLD AND HOSES WITH NBR SEAL

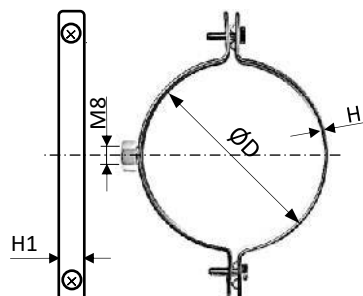


Codice-Code	ØD		H
	mm	inches	

PM353-02-1519-HT	15-19	3/8"	-
PM353-02-2024-HT	20-24	1/2"	-
PM353-02-2530-HT	25-30	3/4"	-
PM353-02-3237-HT	32-37	1"	-
PM353-02-4045-HT	40-45	1"1/4"	-
PM353-02-4853-HT	48-53	1"1/2"	-

PM354

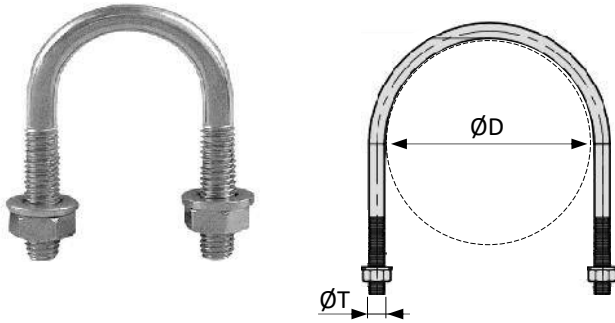
COLLARE IN ACCIAIO ZINCATO (KIT IN COPPIA)
GALVANIZED STEEL PIPE CLAMP (PACK WITH TWO)



Codice-Code	ØD	H	H1
-------------	----	---	----

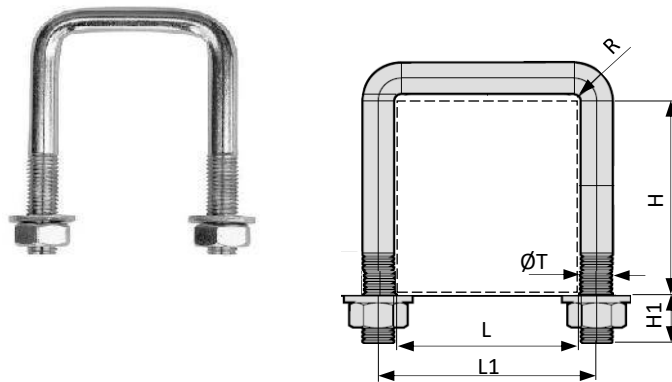
PM354-1518	15-18		
PM354-1922	19-22	2	23
PM354-2528	25-28		
PM354-3134	31-34		
PM354-3943	39-43	2.5	28
PM354-4549	45-49		
PM354-5761	57-61		

PC5106 CAVALLOTTO IN ACCIAIO ZINCATO
GALVANIZED STEEL U-BOLT



Codice-Code	ØD	ØT
PC5106-10	10.2	M6
PC5106-13	13.5	
PC5106-17	17.2	
PC5106-21	21.3	M8
PC5106-26	26.9	
PC5106-33	33.7	
PC5106-42	42.4	
PC5106-48	48.3	M10
PC5106-60	60.3	

PC5107 CAVALLOTTO CON PROFILO QUADRO IN ACCIAIO ZINCATO
GALVANIZED STEEL U-BOLT WITH SQUARE PROFILE

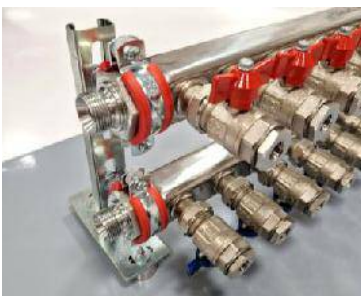


Codice-Code	misura size	H min-	H1 min-	L	L1
PC5107-30-M8	30x30	25-35	15-25	31	39
PC5107-40-M8	40x40	35-45	15-25	41	49
PC5107-50-M8	50x50	45-55	15-25	51	59
PC5107-60-M10	60x60	52-65	20-30	61	71

PM353 KIT COMPLETO PER STAFFAGGIO M350 - COMPLETE CLAMPING SET FOR PM350

Kit composto da due mensole L200 o L300 mm. quattro collari e viteria per il montaggio in linea o contrapposto - Clamping set made of two cantilevers of 200 or 300 mm. length, four pipe clamps and screws for in-line or opposite installation.

Immagini solo a titolo d'esempio - Images only for sample



Versione per montaggio in linea
In-line assembly version



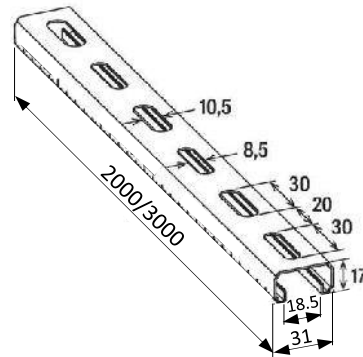
Versione per montaggio contrapposti
Opposite assembly version

Codice-Code	misura size	L mensole L cantilever	Max. temp.
PM353-ING100A-L200	1"	200	90°C
PM353-ING100A-L200-HT			150°C
PM353-ING100A-L300		300	90°C
PM353-ING100A-L300-HT			150°C
PM353-ING114A-L200	1"1/4	200	90°C
PM353-ING114A-L200-HT			150°C
PM353-ING114A-L300		300	90°C
PM353-ING114A-L300-HT			150°C

Codice-Code	misura size	L mensole L cantilever	Max. temp.
PM353-ING100-L200	1"	200	90°C
PM353-ING100-L200-HT			150°C
PM353-ING100-L300		300	90°C
PM353-ING100-L300-HT			150°C
PM353-ING114-L200	1"1/4	200	90°C
PM353-ING114-L200-HT			150°C
PM353-ING114-L300		300	90°C
PM353-ING114-L300-HT			150°C

PM353-11

PROLUNGA IN ACCIAIO ZINCATO PER COLLARI E CAVALLOTTI
GALVANIZED STEEL EXTENSION ARM FOR PIPE-CLAMPS AND U-BOLTS



Codice-Code	lunghezza mm length mm
-------------	---------------------------

PM353-11C	2000
PM353-11L	3000

PM353-01C

Coperchio per PM353-01
Cover Cap for PM353-01



PM353-06-M8

Rondella 8.5x23.5
Washer 8.5x23.5



Zinc

PM353-07-M8

Dado M8 – M8 Nut



Zinc

PM353-03-0880

Grano M8x80
M8x40 Threaded stud



PM353-05-M8

Vite testa a T con dado
T-head bolt with nut



Zinc

PM353-09

Giunzione a 90°
90° Joining Brackett



Zinc

PM353-10

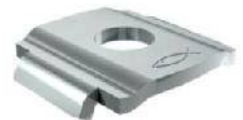
Staffa di giunzione
Joining Brackett



Zinc

PM353-08-085

Rosetta sagomata
Channel washer



PM350-MA1

M6 X 34 KG

PM350-MA2

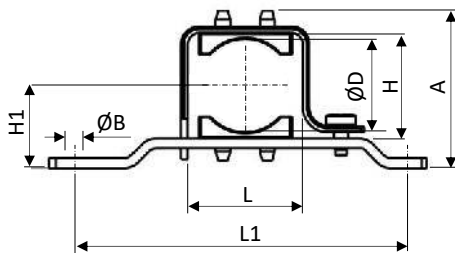
M8 X 81 KG
















PM351 STAFFA SINGOLA (KIT IN COPPIA)
SINGLE BRACKET (PACK WITH TWO)



Immagine solo a titolo d'esempio
Image only for sample



Codice-Code	A	ØB	ØD max	H	H1	L	L1
PM351-G1	78		35.5	41	48.5		127
PM351-G114	84	8.4	41	49	52.5	44.5	127
PM351-G114-H85	119		41	49	87.5		150

<p>Ottone nichelato 120°C Nickel-plated brass 120°C</p>	<p>PC2101-2-3</p> 	<p>PC2104-5-6 238</p> 
<p>Ottone nichelato 160°C Nickel-plated brass 160°C</p>	<p>PC2107-8-9</p> 	<p>PC2110-11-12 239</p> 
<p>Ottone nichelato 160°C Nickel-plated brass 160°C</p>	<p>PC2113-14-15</p> 	<p>PC2116-17-18 240</p> 
<p>Ottone nichelato con bocchettone 150°C Swivel nickel-plated brass 150°C</p>	<p>PC2133-34</p> 	<p>PC2135-36 241</p> 
<p>Acciaio Inox Stainless steel</p>	<p>PC2121</p>  <p>180°C</p>	<p>PC2124 242</p>  <p>220°C</p>
<p>Acciaio al carbonio alta pressione 90°C High pressure carbon steel 90°C</p>	<p>PH1310</p> 	<p>PH1311 243</p> 
<p>Valvola di ritegno ad apertura pilotata Pilot-operated check valve</p>	<p>PH1343 244</p> 	

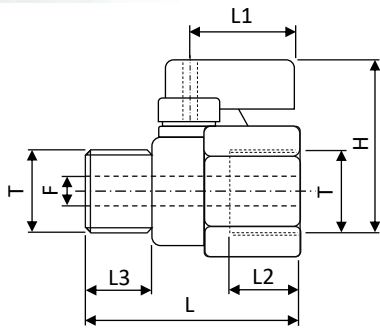
PC2101 MINI VALVOLA A SFERA M/F FILETTO BSPP ISO228 IN OTTONE CROMATO. LEVA ALLUMINIO
BRASS MINI BALL VALVE M/F ISO228 BSPP THREAD, CHROME PLATED. ALUMINUM LEVER



PC2102



PC2103



Codice-Code	L	L1	H	L2	L3	F	ØT	max W Bar	max temp	
PC2103-G18	39	22	37	8.5	9	6	G1/8"	16	90°C	5
PC2101-G14	40	23	26	12	10	6	G1/4"			
PC2102-G14							G1/4"			
PC2103-G14							G1/4"			
PC2101-G38							G3/8"			
PC2102-G38							G3/8"			
PC2103-G38	41	27	12	10	8	G3/8"	120°C			
PC2101-G12	44	31	12	11	10	G1/2"				
PC2102-G12						G1/2"				
PC2103-G12						G1/2"				
PC2101-G34						G3/4"				
PC2102-G34						G3/4"				
PC2103-G34	50	34	12	13	13	G3/4"	1			

Valvola da 1/8" leva in plastica – 1/8" valve with plastic lever

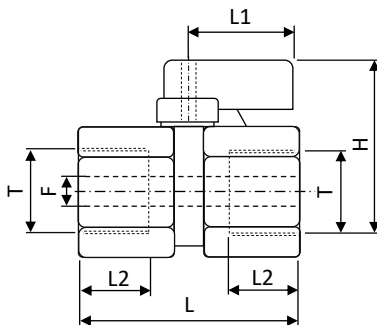
PC2104 MINI VALVOLA A SFERA F/F FILETTO BSPP ISO228 IN OTTONE CROMATO. LEVA ALLUMINIO
BRASS MINI BALL VALVE F/F ISO228 BSPP THREAD, CHROME PLATED. ALUMINUM LEVER



PC2105



PC2106



Codice-Code	L	L1	H	L2	L3	F	ØT	max bar	max temp	
PC2104-G14	42	23	26	-	-	6	G1/4"	16	120°C	5
PC2105-G14							G1/4"			
PC2106-G14							G1/4"			
PC2104-G38							G3/8"			
PC2105-G38							G3/8"			
PC2106-G38	G3/8"									
PC2104-G12	45	31	-	-	-	10	G1/2"	1		
PC2105-G12							G1/2"			
PC2106-G12							G1/2"			

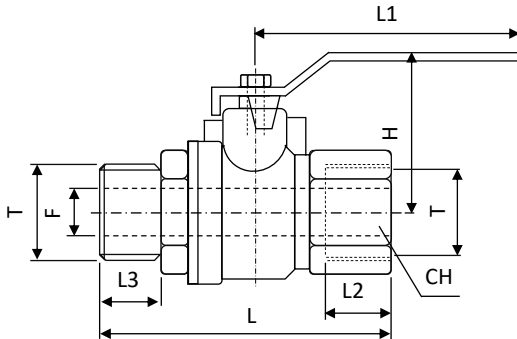
PC2107 VALVOLA A SFERA M/F FILETTO BSPP IN OTTONE NICHELATO. LEVA IN ACCIAIO
BRASS BALL VALVE M/F BSPP THREAD, NICKEL PLATED. STEEL LEVER



PC2108



PC2109



Codice-Code	CH	ØT	F	L	L1	H	L2	L3	max Bar	max temp	
PC2107-G14											10
PC2108-G14	21	G1/4"	10	42	80	41	12	12			10
PC2109-G14											10
PC2107-G38											10
PC2108-G38	21	G3/8"	10	54	80	41	12	12			10
PC2109-G38											10
PC2107-G12											5
PC2108-G12	26	G1/2"	15	70	90	54	17	15			5
PC2109-G12											5
PC2107-G34											5
PC2108-G34	31	G3/4"	20	80	90	58	20	16	40	160°C	5
PC2109-G34											5
PC2107-G1											1
PC2108-G1	38	G1"	25	92	125	66	21	19			1
PC2109-G1											1
PC2107-G114											1
PC2108-G114	48	G1"1/4	32	102	125	71	22	21			1
PC2109-G114											1
PC2107-G114											1
PC2108-G114	55	G1"1/2	38	117	142	80	23	21			1

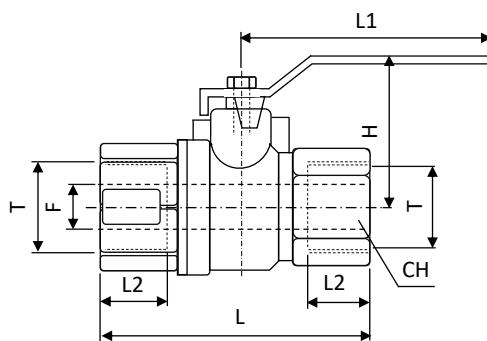
PC2110 VALVOLA A SFERA F/F FILETTO BSPP IN OTTONE CROMATO. LEVA IN ACCIAIO
BRASS BALL VALVE F/F BSPP THREAD, CHROME PLATED. STEEL LEVER



PC2111



PC2112



Codice-Code	CH	ØT	F	L	L1	H	L2	L3	max bar	max temp	
PC2110-G14											10
PC2111-G14	21	G1/4"	10	45	80	41	12	-			10
PC2112-G14											10
PC2110-G38											10
PC2111-G38	21	G3/8"	10	45	80	41	12	-			10
PC2112-G38											10
PC2110-G12											5
PC2111-G12	26	G1/2"	15	63	90	54	17	-			5
PC2112-G12											5
PC2110-G34											5
PC2111-G34	31	G3/4"	20	71	90	58	20	-	40	160°C	5
PC2112-G34											5
PC2110-G1											1
PC2111-G1	38	G1"	25	83	125	66	21	-			1
PC2112-G1											1
PC2110-G114											1
PC2111-G114	48	G1"1/4	32	92	125	71	22	-			1
PC2112-G114											1

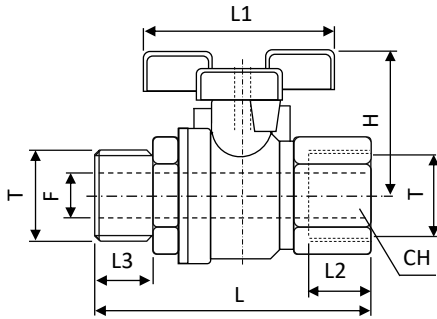
PC2113 VALVOLA A SFERA M/F FILETTO BSPP IN OTTONE NICHELATO. LEVA A FARFALLA IN ALLUMINIO
BRASS BALL VALVE M/F BSPP THREAD, NICKEL PLATED. BUTTERFLY ALUMINUM HANDLE



PC2114



PC2115



Codice-Code	CH	ØT	F	L	L1	H	L2	L3	max Bar	max temp	
PC2113-G14											10
PC2114-G14	21	G1/4"	10	42	80	41	12	12			10
PC2115-G14											10
PC2113-G38											10
PC2114-G38	21	G3/8"	10	54	80	41	12	12			10
PC2115-G38											10
PC2113-G12											5
PC2114-G12	26	G1/2"	15	70	90	54	17	15	40	160°C	5
PC2115-G12											5
PC2113-G34											5
PC2114-G34	31	G3/4"	20	80	90	58	20	16			5
PC2115-G34											5
PC2113-G1											1
PC2114-G1	38	G1"	25	92	125	66	21	19			1
PC2115-G1											1

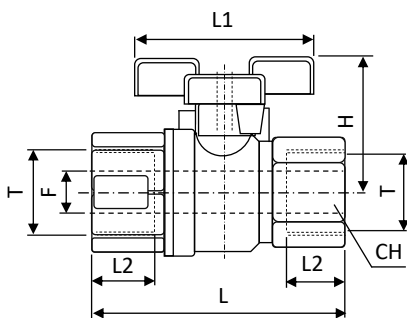
PC2116 VALVOLA A SFERA F/F FILETTO BSPP IN OTTONE CROMATO. LEVA A FARFALLA IN ALLUMINIO
BRASS BALL VALVE F/F BSPP THREAD, CHROME PLATED. BUTTERFLY ALUMINUM HANDLE



PC2117



PC2118

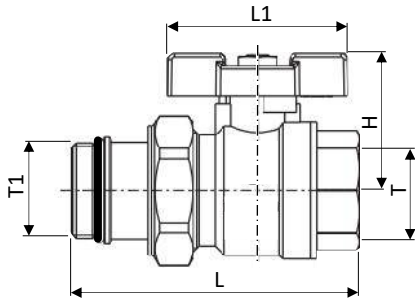


Codice-Code	CH	ØT	F	L	L1	H	L2	L3	max Bar	max temp	
PC2116-G14											10
PC2117-G14	21	G1/4"	10	45	80	41	12	-			10
PC2118-G14											10
PC2116-G38											10
PC2117-G38	21	G3/8"	10	45	80	41	12	-			10
PC2118-G38											10
PC2116-G12											5
PC2117-G12	26	G1/2"	15	63	90	54	17	-	40	160°C	5
PC2118-G12											5
PC2116-G34											5
PC2117-G34	31	G3/4"	20	71	90	58	20	-			5
PC2118-G34											5
PC2116-G1											1
PC2117-G1	38	G1"	25	83	125	66	21	-			1
PC2118-G1											1

PC2133 VALVOLA A SFERA CON BOCCHETTONE MAX 150°C* 25 BAR
BALL VALVE WITH TAIL PIECE MAX 150°C* 25 BAR



PC2134

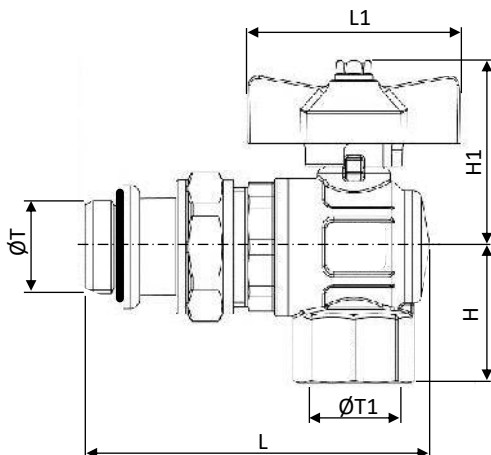


Codice-Code	H	H1	L	L1	ØT	ØT1	
PC2133-G12	41	-	74	47	G 1/2"	G 1/2"	5
PC2133-G34	47	-	86	62	G 3/4"	G 3/4"	1
PC2133-G1	50.8	-	98	62	G 1"	G 1"	1
PC2133-G114	63.5	-	113	70	G 1"1/4	G 1"1/4	1
PC2134-G12	41	-	74	47	G 1/2"	G 1/2"	5
PC2134-G34	47	-	86	62	G 3/4"	G 3/4"	1
PC2134-G1	50.8	-	98	62	G 1"	G 1"	1
PC2134-G114	63.5	-	113	70	G 1"1/4	G 1"1/4	1

PC2135 VALVOLA A SFERA 90° CON BOCCHETTONE MAX 150°C* 25 BAR
90° BALL VALVE WITH TAIL PIECE MAX 150°C* 25 BAR



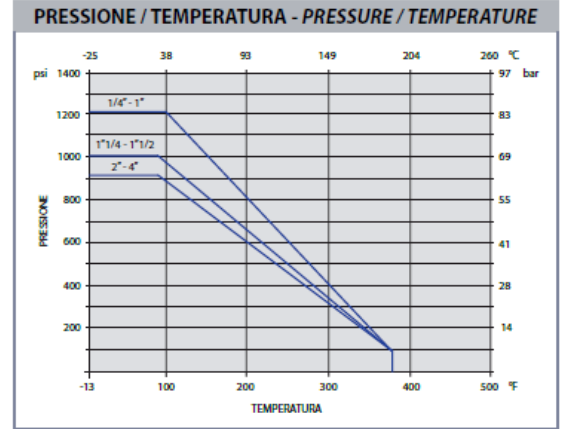
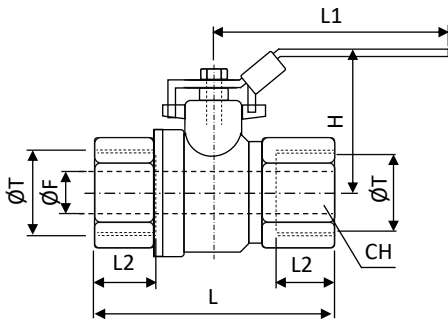
PC2136



Codice-Code	H	H1	L	L1	ØT	ØT1	
PC2135-G12	30	41	76.2	47	G 1/2"	G 1/2"	5
PC2135-G34	33.5	47	89.5	62	G 3/4"	G 3/4"	1
PC2135-G1	39.75	51	105.5	62	G 1"	G 1"	1
PC2136-G12	30	41	76.2	47	G 1/2"	G 1/2"	5
PC2136-G34	33.5	47	89.5	62	G 3/4"	G 3/4"	1
PC2136-G1	39.75	51	105.5	62	G 1"	G 1"	1

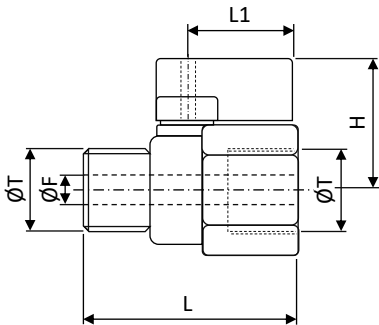
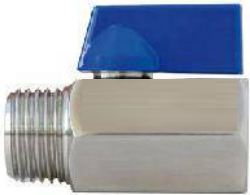
*: senza vapore - without steam

PC2121 VALVOLA A SFERA AISI 316 FILETTO F/F BSPP 180°C
 AISI 316 BALL VALVE WITH F/F BSPP THREAD 180°C



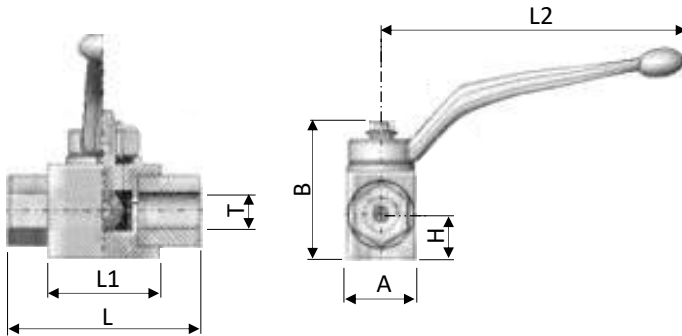
Codice-Code	CH	F	L	L1	H	L2	ØT	max Bar	max temp	
PC2121-G14	21	12	49	100	48	12	G1/4"	70	180°C	5
PC2121-G38	21	13	49	100	48	12	G3/8"			5
PC2121-G12	26	15	55	100	52	17	G1/2"			5
PC2121-G34	31	20	66	115	57	20	G3/4"			1
PC2121-G1	38	25	79	150	75	21	G1"			1
PC2121-G114	48	32	90	150	80	22	G1"1/4"			1

PC2125 MINI VALVOLA A SFERA AISI 316 FILETTO F/F BSPT 180°C
 AISI 316 MINI BALL VALVE WITH F/F BSPT THREAD 180°C



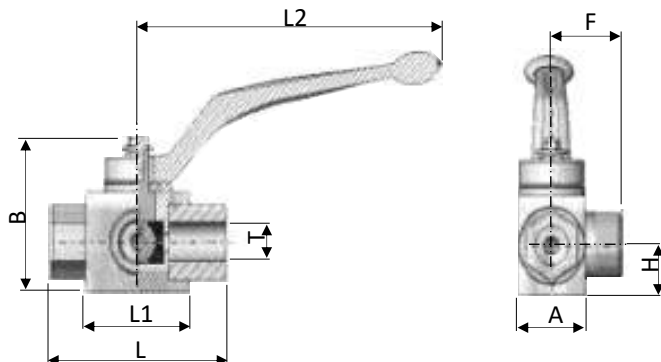
Codice-Code	CH	F	L	L1	H	L2	ØT	max Bar	max temp	
PC2125-G14	20	6	40		26.5	-	R1/4"	25	180°C	10
PC2125-G38	20	7	40	22.8	26.5	-	R3/8"			10
PC2125-G12	24	9	46		28.5	-	R1/2"			10

PH1310 VALVOLA A SFERA ALTA PRESSIONE FILETTO BSPP FEMMINA
HIGH PRESSURE BALL VALVE BSPP FEMALE THREAD



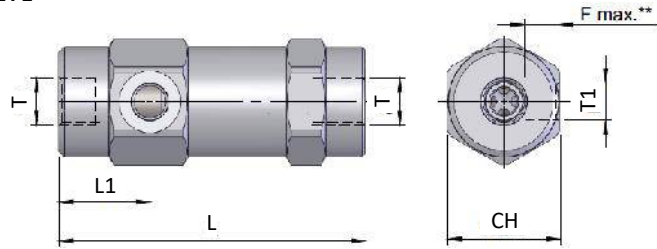
Codice-Code	A	B	H	L	L1	L2	ØT	max Bar
PH1310-G14	26	47	13.5	69	40	115	G1/4"	500
PH1310-G38	32	52	17.5	72	43	115	G3/8"	500
PH1310-G12	35	54	19	83	48	115	G1/2"	500
PH1310-G34	49	75	24.5	95	62	200	G3/4"	315

PH1311 VALVOLA A SFERA ALTA PRESSIONE A TRE VIE FILETTO BSPP FEMMINA
THREE WAYS HIGH PRESSURE BALL VALVE BSPP FEMALE THREAD

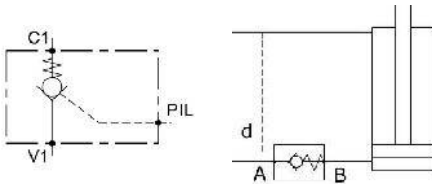


Codice-Code	A	B	H	L	L1	L2	ØT	max Bar
PH1311-G14	26	47	13.5	69	40	115	G1/4"	315
PH1311-G38	32	52	17.5	72	43	115	G3/8"	315
PH1311-G12	35	54	19	83	48	115	G1/2"	315
PH1311-G34	49	75	24.5	95	62	200	G3/4"	315

PH1343 VALVOLA DI RITEGNO AD APERTURA PILOTATA
PILOT-OPERATED CHECK VALVE



** Maximum fittings depth
** Profondità massima dei raccordi.



Codice-Code	CH	F max	L	L1	T	T1	max l/min	max Bar
PH1343-G14	36	12	103	30	G1/4"	G1/4"	15	400
PH1343-G38	40	12	109	33	G3/8"	G1/4"	30	400
PH1343-G12	42	12	122	36	G1/2"	G1/4"	50	400
PH1343-G34	55	14	131	40	G3/4"	G1/4"	80	400

KIT COMPLETO PER VALVOLA DI RITEGNO AD APERTURA PILOTATA
PILOT-OPERATED CHECK VALVE COMPLETE ASSEMBLY KIT

Per il funzionamento della valvola di ritegno è necessaria l'installazione di un minimo di componenti e tubi da aggiungere all'impianto esistente. In questa sezione proponiamo un kit da integrare ad un impianto tipo (ad esempio con la preesistenza di un tubo per la mandata ed uno per il ritorno) con un semplice configuratore per la definizione di un codice.

The installation of the pilot-operated check valve require the use of several extra hydraulic components, nipples and plugs. As to simplify this installation we provide a complete assembly-kit for short-stroke block cylinders, in two layout: side layout (sample 1) or back layout (sample 2). The overall dimensions can be defined by us by informing us about the Hydraulic cylinder Code (European Standards) or by supplying the cylinder oil port length and the hoses length (see drawing here below)

PH1143-G14-300-B

MISURA ORIFIZI CILINDRO – CYLINDER PORT SIZE

- G1/4" cod. **G14**
- G3/8" cod. **G38**
- G1/2" cod. **G12**

Lunghezza tubo pilotaggio mm.
Pilot hose Length mm.

- 200**
- 300**
- 400**
- 500**

A ORIENTAMENTO POSTERIORE
REAR SIDE LAYOUT

B ORIENTAMENTO LATERALE
LATERAL SIDE LAYOUT

Le immagini esposte sono solo esemplificative. Non corrispondono necessariamente alla reale consistenza di componenti.
The images are only as samples. They don't show precisely the type of components used in the application.

VISUALIZZATORI DI FLUSSO
FLOWMETERS



PC5201
PC5202
PC5203

246

VISUALIZZATORI E REGOLATORI DI FLUSSO SERIE ECO 90°C
FLOW VIEWERS AND REGULATORS ECO SERIES 90°C



PC5204
PC5205

247

REGOLATORI DI FLUSSO UNIDIREZIONALE ALTA PRESSIONE
UNIDIRECTIONAL HIGH PRESSURE FLOW REGULATORS



PH1301

248

REGOLATORI DI FLUSSO UNIDIREZIONALE ALTA PRESSIONE
UNIDIRECTIONAL HIGH PRESSURE FLOW REGULATORS



PH1302

REGOLATORI DI FLUSSO PER ACQUA 90°C MAX
WATER 90°C MAX FLOW REGULATORS



PR102

249

SISTEMI DIGITALI DI CONTROLLO FLUSSO E TEMPERATURA ®
FLOW AND TEMPERATURE ANALYSE DIGITAL SYSTEMS



MOULDFLO®

250

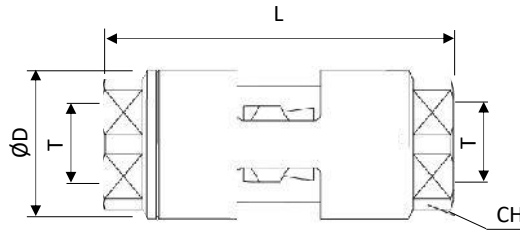
KIT I DI CONTROLLO ISTANTANEO FLUSSO E TEMPERATURA ®
FLOW AND TEMPERATURE CHECK UNIT



PF900
PC5202
PC5203

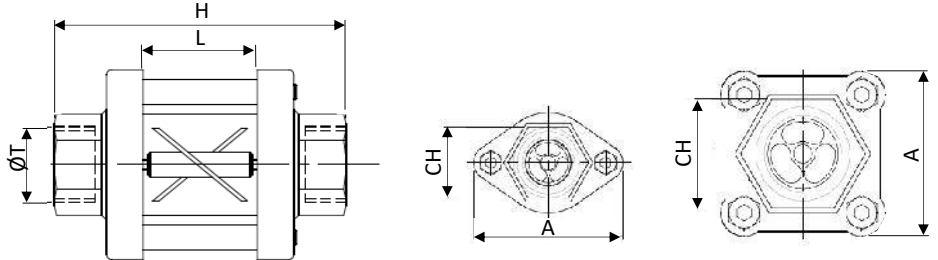
260
-261

PC5203 VISUALIZZATORI DI FLUSSO – FLOW VIEWER



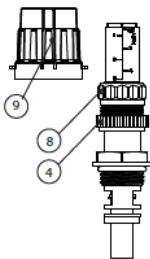
Codice-Code	CH	D	L	L1	ØT	Portata max. flow	Portata min. flow	Max. Bar	Max. temp.	Colore Color
PC5203-G14	19	25	56	-	G1/4"	10 l/min	1 l/min	25	100°C	-
PC5203-G38	19	25	56	-	G3/8"	20 l/min	2 l/min	25		-

PC5201 VISUALIZZATORI DI FLUSSO – FLOW VIEWER



Codice-Code	A	CH	L	L1	ØT	Portata max. flow	Portata min. flow	Max. Bar	Max. temp.	Colore Color
PC5201-G14-R	44	20	66	22	G1/4"	10 l/min	0.6 l/min	25	100°C	Red
PC5201-G14-B	44	20	66	22	G1/4"	10 l/min	0.6 l/min	25		Blue
PC5201-G38-R	60	28	92	36	G3/8"	20 l/min	1.2 l/min	15		Red
PC5201-G38-B	60	28	92	36	G3/8"	20 l/min	1.2 l/min	15		Blue
PC5201-G12-R	60	28	92	36	G1/2"	40 l/min	1.2 l/min	15		Red
PC5201-G12-B	60	28	92	36	G1/2"	40 l/min	1.2 l/min	15		Blue
PC5201-G34-R	70	46	114	46	G3/4"	60 l/min	2.1 l/min	12		Red
PC5201-G34-B	70	46	114	46	G3/4"	60 l/min	2.1 l/min	12		Blue
PC5201-G100-R	70	46	114	46	G1"	80 l/min	2.1 l/min	12		Red
PC5201-G100-B	70	46	114	46	G1"	80 l/min	2.1 l/min	12		Blue

PC5202 REGOLATORI DI FLUSSO PER COLLETTORI PM350 – FLOW METER FOR PM350 MANIFOLD

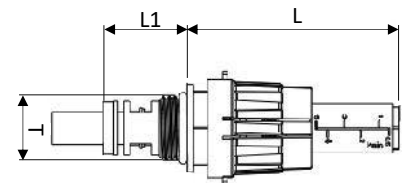


ISTRUZIONI PER L'USO:

- 1) Togliere il cappuccio (9)
 - 2) Ruotare la ghiera (8) per impostare la portata desiderata.
 - 3) Avvitare l'anello (4) in senso orario fino a fine corsa per fissare la portata selezionata.
 - 4) Rimontare il cappuccio (9)
- Nota: montaggio sulla mandata

USE INSTRUCTIONS:

- 1) Remove the cap (9)
 - 2) Screw the ring (8) to set the desired flow rate.
 - 3) Screw the memory ring (4) clockwise until it stops.
 - 4) Install the cap (9)
- Note: installation o supply circuit



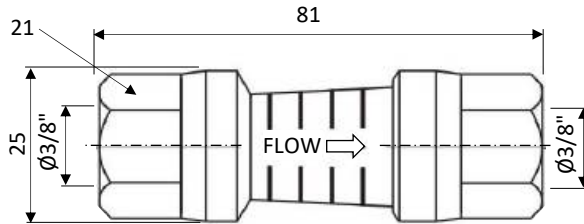
Codice-Code	A	CH	L	L1	ØT	Portata max. flow	Portata min. flow	Max. Bar	Max. temp.	Colore Color
PC5202-05-G12	-	-	69	27	G1/2"	5 l/min	0.5 l/min	6	70°C	Red
PC5202-08-G12	-	-	75	27	G1/2"	8 l/min	0.5 l/min	6	70°C	Red

PC5204 VISUALIZZATORI DI FLUSSO SERIE ECO 120°C – ECO SERIES 120°C FLOW VIEWER



Codice-Code

PC5204-G38



CARATTERISTICHE TECNICHE:

- Temperatura max. di esercizio: 120°C
- Pressione max. di esercizio: 5 Bar
- Portata max.: 18 lit\min.
- Serraggio max. di raccordatura: 12 Nm
- Materiale tubo trasparente: Poliammide
- Materiale corpo: ottone

TECHNICAL FEATURES:

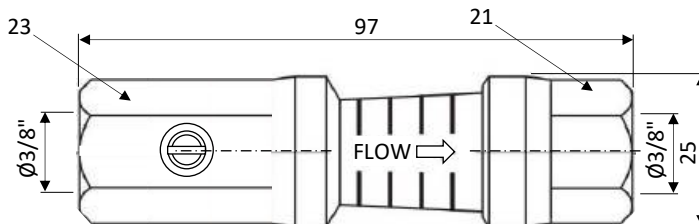
- Max. working temperature 120°C
- Max. working pressure 5 Bar
- Max. Flow: 18 lit\min.
- Max. Installation torque 12 Nm
- Perspective tube material: Polyamide
- Body material: brass

PC5205 REGOLATORI DI FLUSSO SERIE ECO – ECO SERIES FLOW METER



Codice-Code

PC5205-G38



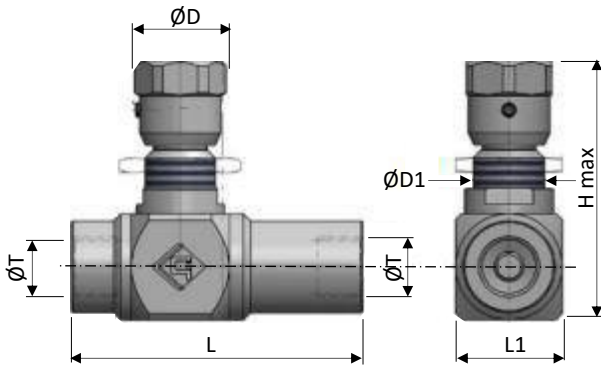
CARATTERISTICHE TECNICHE:

- Temperatura max. di esercizio: 120°C
- Pressione max. di esercizio: 5 Bar
- Portata max.: 18 lit\min.
- Serraggio max. di raccordatura: 12 Nm
- Materiale tubo trasparente: Poliammide
- Materiale corpo: ottone

TECHNICAL FEATURES:

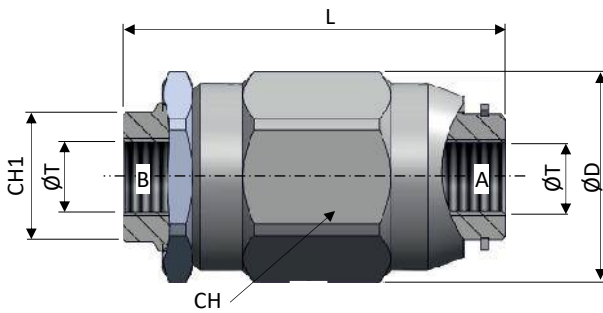
- Max. working temperature 120°C
- Max. working pressure 5 Bar
- Max. Flow: 18 lit\min.
- Max. Installation torque 12 Nm
- Perspective tube material: Polyamide
- Body material: brass

PH1301 REGOLATORE DI FLUSSO UNIDIREZIONALE ALTA PRESSIONE 90°C
HIGH PRESSURE UNIDIRECTIONAL FLOW REGULATOR 90°C



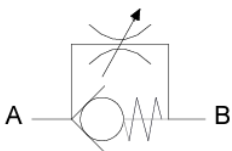
Codice-Code	ØD	ØD1	H _{max}	L	L1	ØT	max l/min	max Bar
PH1301-G14	26	M20x	26	73	25	G1/4"	15	400
PH1301-G38		1.5	32	83	30	G3/8"	30	
PH1301-G12	29		38	94	30	G1/2"	50	
PH1301-G34	40	M35x	46	110	40	G3/4"	80	
PH1301-G1		1.5	55	135	40	G1"	150	

PH1302 REGOLATORE DI FLUSSO UNIDIREZIONALE ALTA PRESSIONE A MANICOTTO 90°C
HIGH PRESSURE UNIDIRECTIONAL FLOW REGULATOR 90°C

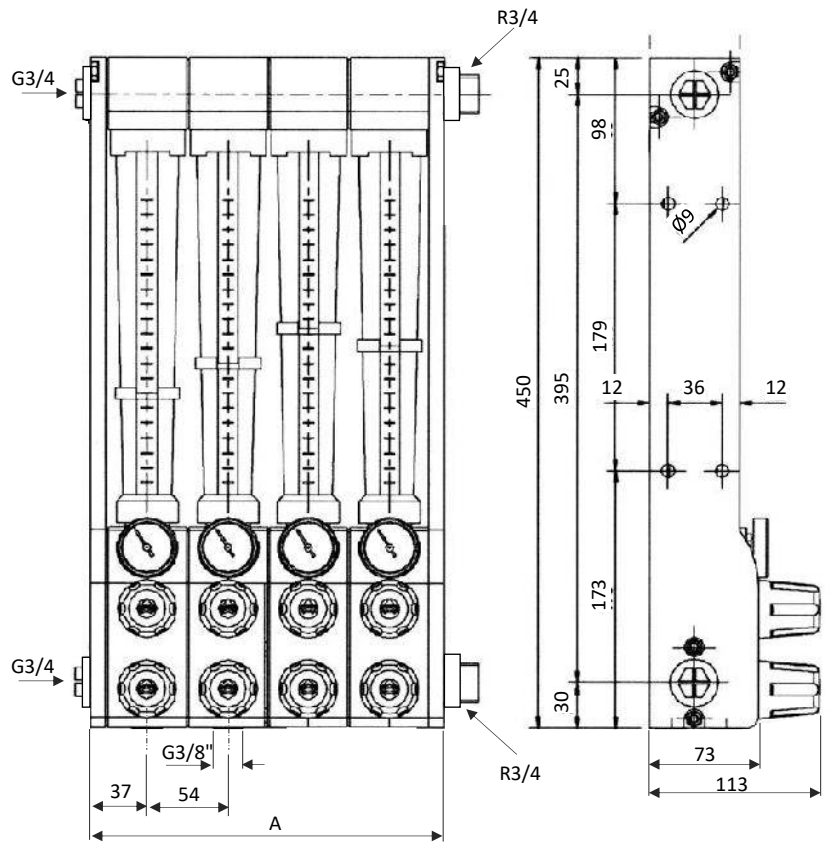


Codice-Code	CH	CH1	ØD	L	L1	ØT	max l/min	max Bar
PH1302-G14	30	19	33.5	62	-	G1/4"	15	350
PH1302-G38	36	24	40.5	73	-	G3/8"	35	
PH1302-G12	41	30	46	83	-	G1/2"	45	
PH1302-G34	55	36	60.5	102	-	G3/4"	80	350

Disponibile con O-Ring FKM 150°C - FKM O-Ring 150°C available



PR102 REGOLATORE DI FLUSSO PER ACQUA FINO A 90°C CON FILETTO FEMMINA BSPP
 FLOW REGULATOR FOR WATER UP TO 90°C WITH BSPP FEMALE THREAD



CARATTERISTICHE TECNICHE:

- Tubo metrico standard in PA 12
- Corpo in PA 6 + 30% fibra vetro
- Valvole di regolazione in ottone
- Termometro
- O-Rings a contatto con l'acqua in EPDM
- Valvole di entrata e uscita in ottone

TECHNICAL FEATURES:

- Metric-tube made of PA 12
- Bodies made of PA 6 + 30% fiberglass
- Regulating Taps in brass
- Thermometer
- O' rings in contact with water in EPDM
- Brass inlet and outlet valves are inserted in the body

Codice-Code	N. USCITE N. GATES	A	MAX TEMP °C		
			7 Bar	5 Bar	4 Bar
PR102-02-G34-G38	2	126	60	80	90
PR102-03-G34-G38	3	179	60	80	90
PR102-04-G34-G38	4	231	60	80	90
PR102-05-G34-G38	5	284	60	80	90
PR102-06-G34-G38	6	339	60	80	90
PR102-07-G34-G38	7	392	60	80	90
PR102-08-G34-G38	8	444	60	80	90
PR102-09-G34-G38	9	497	60	80	90
PR102-10-G34-G38	10	552	60	80	90
PR102-11-G34-G38	11	607	60	80	90
PR102-12-G34-G38	12	659	60	80	90

Sistemi avanzati di monitoraggio circuiti di condizionamento stampi Advanced monitoring system for injection mould cooling circuits



PRESENTAZIONE PRODOTTO – PRODUCT PRESENTATION

Ottimizzazione del ciclo di stampaggio e risparmio energetico.

La Tecnologia Mouldflo® consente di misurare costantemente la temperatura, la portata di ogni singolo canale di condizionamento degli stampi, oltre a la pressione del circuito e quindi di ottimizzare la fase di condizionamento, ottenendo stabilità di qualità, velocità di ciclo, risparmio energetico, registrazione dei dati e data-base con la memoria delle impostazioni ottimizzate dei singoli stampi.

Molto facile da installare si integra ottimamente ad ogni tipo di pressa. Un Sistema di allarme tarato su parametri preferiti, consente di essere avvisati in caso di deriva termica, prima di una non conformità qualitativa del pezzo stampato. Ampie possibilità di scelta in termini di layout e numero di canali da monitorare.

Optimize your production and energy-efficiency

The Mouldflo® System monitors temperature and flow in each single cooling circuit within the mould, using intelligent manifolds, mounted directly on the machine, further to the pressure of the main circuit.

This gives you vital information about how your production is performing as well as the knowledge you need to improve your production value, optimize your energy efficiency and protect your moulds.

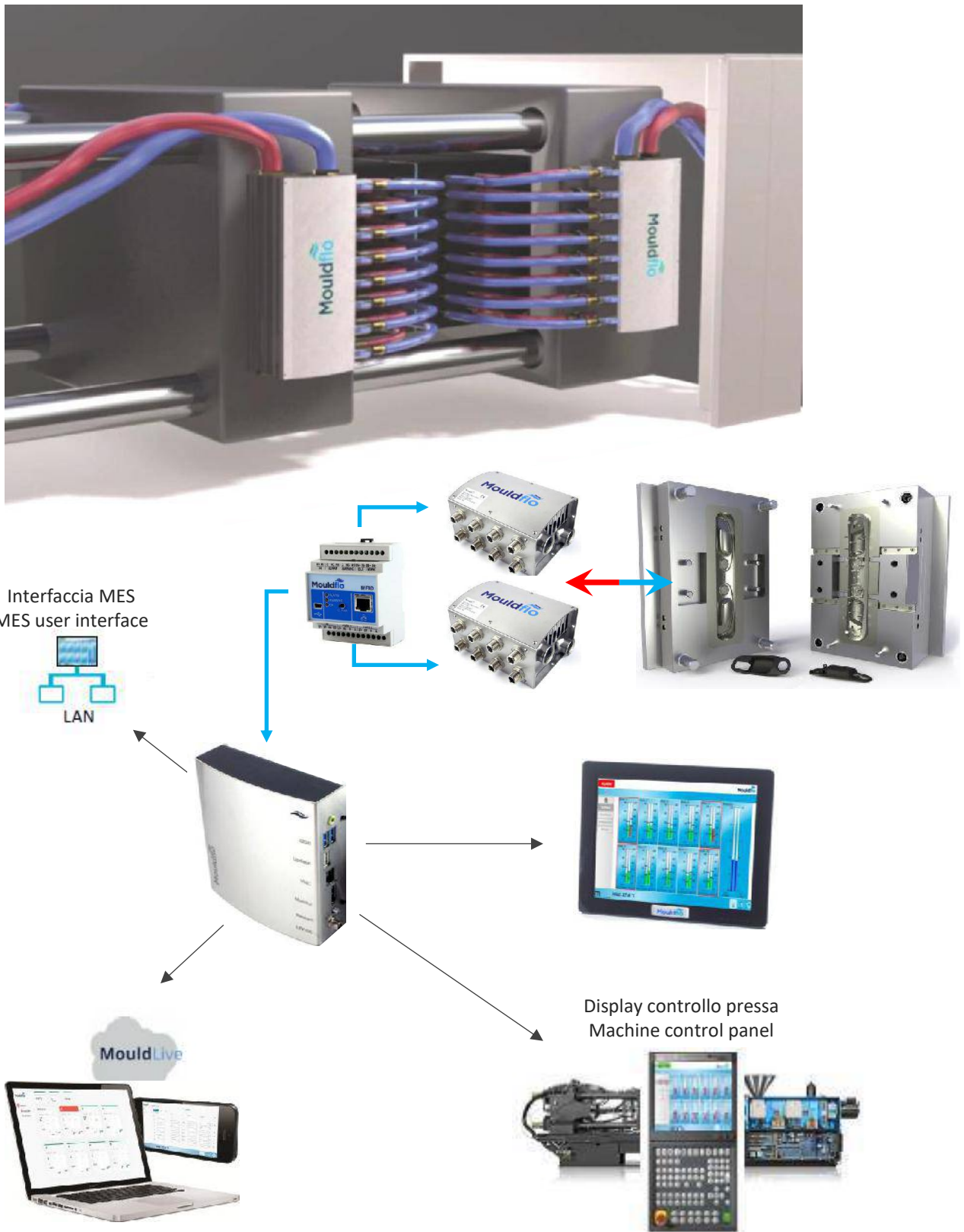
The system is easy to install and it is compatible with almost any type of injection moulding machine.

By using the system's alarm functionality, you will be automatically alerted, whenever an issue arises and when parameters differ from your preferred machine settings.

The system works as a watchdog of various common cooling circuit problems, such as:

The monitoring system is very agile and can be adjusted and expanded over time, as your production grows or changes.

Funzionamento del Sistema – Method of monitoring



Possibilità di lettura e trasmissione dei dati – Integration & Connectivity: VNC, OPC-UA, Euromap 82.1, Raw data, MES, ERP, Cloud, LAN, Wired Ethernet, WiFi Ethernet, GSM

Banco di test mobile con pompa e serbatoio integrati – Mobile Test Machine with integrated tank and pump.

TEST RIG



Il Test Rig è un Sistema completamente autonomo che può essere collegato in modo estremamente flessibile per test a banco in attrezzatura, così come per delle campionature, pre-serie, ma anche per delle produzioni seppur ottimizzato per funzionamento fuori dalla pressa. Controllo flusso, temperatura, pressione, fattore di resistenza e perdite del circuito, fino ad 8 singoli canali.

The Test Rig is a stand-alone solution optimized for testing mould cooling circuits in the toolshop but also on the injection machine. Flexible and easy to connect, controls flow, temperature, pressure, resistance factor of mould cooling channels. Up to 8 singular mould channels.

Stampo - mould



Test Rig



Caratteristiche Tecniche:

8 circuiti indipendenti provvisti di distributore, innesti rapidi, tubi flessibili, serbatoio da 60 lt., pompa da 4 o 7 Bar. Pressione di esercizio da 1 a 10 Bar. Portata da 1 a 20 o da 2 a 40 l/min. Temperatura max. di esercizio 120°C. Funzionamento a 340VAC.

Display touch da 15" con possibilità di connessione WiFi, uscita USB e LAN. Sensore di pressione in entrata ed uscita, sensore di portata Vortex, sensore di temperatura. Memorizzazione dati di test.

Technical features:

8 independent channels, 15" Touch screen, MFS (server), MFIO, Wi-Fi, LAN connectivity. USB. Quick couplings, hoses. The Test Rig is provided by a 60 L water tank with a 4 or 7 Bar pump. Operating pressure 1 to 10 Bar. Flow rate options: 1-20 and 2-40 l/min. with Vortex sensors. 120°C max working temperature. Scalable flow simulation with frequency-controlled pump. Reports and history of tests and mould. Power 340VAC.

TEST RIG

CODIFICA ORDINE – ORDER CODES

Banco di prova completo – Stand-alone test unit



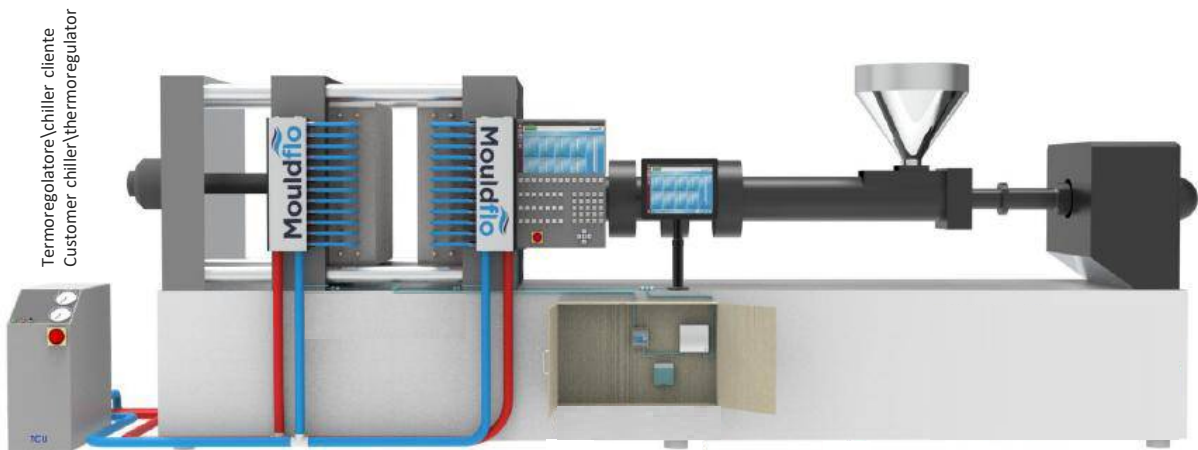
Codice-Code	N canali N gates	Portata sensori Flow range	Pompa Pump	Orifici Ports	Max temp
MF-TR-STANDARD-0.5-4	8	0.5...10	4 Bar	G3/8"	120°C
MF-TR-STANDARD-0.5-7			7 Bar		
MF-TR-STANDARD-1-4		1...20	4 Bar		
MF-TR-STANDARD-1-7			7 Bar		
MF-TR-STANDARD-2-4		2...40	4 Bar	G1/2"	
MF-TR-STANDARD-2-7			7 Bar		

Sistema integrato per pressa iniezione – Injection Machine Integrated System FMS



L’FMS è un sistema concepito per essere installato in modo permanente sulla pressa e consente di monitorare in campionatura o in produzione la portata, la temperatura e la pressione dei singoli canali di condizionamento degli stampi, consentendone l’ottimizzazione e la verifica di malfunzionamenti quali derive termiche, perdite, etc.

The FSM system is designed to be installed permanently on the machines platens and realtime monitor the temperature, flow rate and pressure of the cooling water in each individual cooling channel of the mould during start-up, production and trouble shooting.



Caratteristiche Tecniche:

- Opzione da 4, 8 o 12 circuiti indipendenti per ogni collettore, cumulabili, fino a 96 circuiti totali.
- Pressione di esercizio da 1 a 10 Bar.
- Portata da 1 a 15 o da 2 a 40 l/min.
- Corrente 110-240VAC o 12-24VDC.
- Temperatura di esercizio fino a 120°C.
- Gestione dati con display touch da 15"; possibilità di connessione WiFi, USB, LAN e VCN (al controllo della pressa)
- Sensore di pressione in entrata ed uscita, sensore di portata Vortex, sensore di temperatura.
- Memorizzazione dati di test.

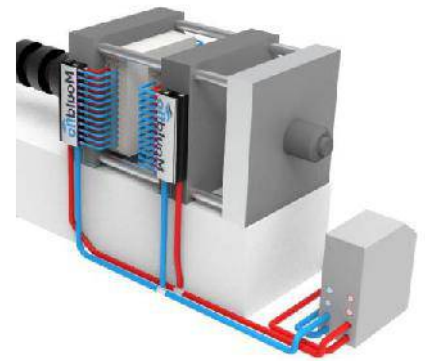
Technical features:

- 4 or 8 or 12 channel manifolds, up to 96 total channels system.
- Working pressure: 1 to 10 Bar
- Max working temperature: 120°C
- 15" Touch screen; connectivity: MFS, MFIO, WiFi, LAN, USB VCN to machin control panel.
- Flow rate options: 1-15 and 2-40 l/min. with Vortex sensors.
- Reports and history of tests and mould.
- Power: 110-240VAC, 12-24 VDC.

FMS

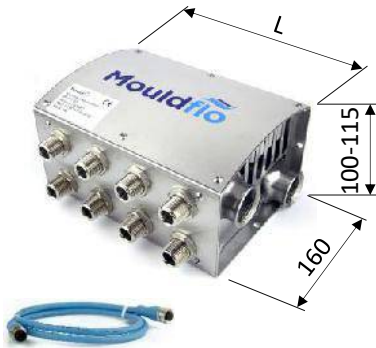
CODIFICA ORDINE – ORDER CODES

Configurazioni standard – Standard configurations



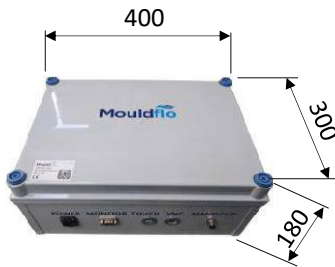
MF

Collettore in acciaio Inox con sensori di flusso e temperature con un cavo da 1 mt. - Stainless steel manifold with flow and temperature sensors, with 1 mt. connection cable



Codice-Code	N canali N gates	Portata Flow range	L	Ø ingressi Ø inlet	Ø canali Ø gates	Max Bar	Max temp
MF-4-0-SS-BSPP-P-0	4	0.5...10	220				
MF-4-1-SS-BSPP-P-0		1...20					
MF-4-2-SS-BSPP-P-0		2...40					
MF-8-0-SS-BSPP-P-0	8	0.5...10	420	1" BSP	3/8" BSP	10	120°C
MF-8-1-SS-BSPP-P-0		1...20					
MF-8-2-SS-BSPP-P-0		2...40					
MF-12-0-SS-BSPP-P-0	12	0.5...10	620				
MF-12-1-SS-BSPP-P-0		1...20					
MF-12-2-SS-BSPP-P-0		2...40					

Dettaglio misure per l'installazione a pag. 259
Detailed dimensions for installation at page 259



+

MF-EC

Centralina completa di alimentazione, controllo e SW gestione per collettori - Control Unit for power, management SV for manifolds

Dettaglio misure a pag. 243 – Detailed dimensions at page 243

+

MF-YC

Connettore a Y (in caso di collettori multipli) - Y-connector for daisy-chain (in case of multiple manifolds)



OPTIONALS



MF-TS15

Display touch 15"

MF-CD5

Cavo VGA 5mt per display touch
VGA cable for display touch



MF-CK3

Cavo connessione 3 mt. – Connection cable 3 mt.

MF-CK5

Cavo connessione 5 mt. – Connection cable 5 mt.

MF-CK10

Cavo connessione 10 mt. – Connection cable 10 mt.

MF-CK20

Cavo connessione 0 mt. – Connection cable 0 mt.



Valvole a sfera da pag. 237
Ball valves from page 237



Prolunghe pag. 131-132
Extensions pages 131-132

Sistema mobile Stand-alone – Stand-Alone Mobile System FMS-CART



L’FMS-Cart è un sistema che consente di monitorare e memorizzare la temperatura e la portata dei singoli canali dello stampo nelle versioni da 4, 8 o 12 canali in parte fissa ed altrettanti in parte mobile, concepito per essere utilizzato in modo flessibile per collaudi, validazioni, test, ma anche per produzione continua, potendo essere spostato e connesso agevolmente su qualsiasi pressa a seconda delle necessità. Possibilità di utilizzo ed esportazione dei dati identiche a tutti gli altri sistemi Mouldflo.

The FSM-Cart system is a flow and temperature monitoring unit which can be flexibly connected to any injection machine in the factory according to customer necessities. Extremely helpful for mould testes, validations and trouble shooting. Available versions: 4 or 8 or 12 independent channels monitoring for mobile mould part and the same for the fixed mould part. 24 channels maximum.



Caratteristiche Tecniche:

- Opzione da 4, 8 o 12 circuiti indipendenti,
- Pressione di esercizio da 1 a 10 Bar.
- Portata da 1 a 15 o da 2 a 40 l/min.
- Corrente 110-240VAC o 12-24VDC.
- Temperatura di esercizio fino a 120°C.
- Gestione dati con display touch da 15"; possibilità di connessione WiFi, USB, LAN e VCN (al controllo della pressa)
- Sensore di pressione in entrata ed uscita, sensore di portata Vortex, sensore di temperatura.
- Memorizzazione dati di test.

Technical features:

- 4 or 8 or 12 channel manifold.
- Working pressure: 1 to 10 Bar
- Max working temperature: 120°C
- 15" Touch screen; connectivity: MFS, MFIO, WiFi, LAN, USB VCN to machin control panel.
- Flow rate options: 1-15 and 2-40 l/min. with Vortex sensors.
- Reports and history of tests and mould.
- Power: 110-240VAC, 12-24 VDC.

FMS-CART

CODIFICA ORDINE – ORDER CODES

Il Sistema complete si compone di un MF-CART con uno o due collettori
One complete system is made by one MF-CRT added to one or two manifolds.



MF-CART

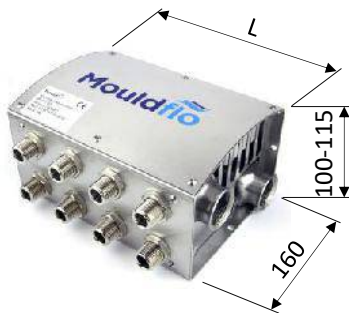
Carrello con display 15" touch e centralina di connessione e controllo
Cart with 15" display touch and connection logic cabinet



MF

Collettore in acciaio Inox con sensori di flusso e temperature con un cavo da 1 mt.

Stainless steel manifold with flow and temperature sensors, with 1 mt. connection cable



Codice-Code	N canali N gates	Portata Flow range	L	Ø ingressi Ø inlet	Ø canali Ø gates	Max Bar	Max temp
MF-4-0-SS-BSPP-P-0	4	0.5...10	220	1" BSP	3/8" BSP	10	120°C
MF-4-1-SS-BSPP-P-0		1...20					
MF-4-2-SS-BSPP-P-0		2...40					
MF-8-0-SS-BSPP-P-0	8	0.5...10	420				
MF-8-1-SS-BSPP-P-0		1...20					
MF-8-2-SS-BSPP-P-0		2...40					
MF-12-0-SS-BSPP-P-0	12	0.5...10	620				
MF-12-1-SS-BSPP-P-0		1...20					
MF-12-2-SS-BSPP-P-0		2...40					



Valvole a sfera da pag. 237
Ball valves from page 237

Prolunghe pag. 131-132
Extensions pages 131-132

FMS \ FMS-CART

SINGOLI COMPONENTI E RICAMBI – SINGLE COMPONENTS AND SPARE PARTS



MF-S-0 Sensore di temperature e flusso 120°C 0,5...10 lit\min, 10 Bar
Temperature and flow sensor 120°C 1...20 lit\min, 10 Bar



MF-S-12 Sensore di temperature e flusso 120°C 1...20 lit\min, 10 Bar
Temperature and flow sensor 120°C 1...20 lit\min, 10 Bar

MF-S-2 Sensore di temperature e flusso 120°C 2...40 lit\min, 10 Bar
Temperature and flow sensor 120°C 1...40 lit\min, 10 Bar

MF-P Sensore di pressione – Pressure sensor



MFS Centralina di controllo SW (VCN e network ready)
Server Unit (VNC and network ready)



MF-DRI Modulo d'interfaccia Rail-DIN
Interface Module DIN-Rail Module



MF-P230 Trasformatore 100-240 VAC/12 VDC rail 3,33A DIN
Power Supply 100-240VAC/12VDC 3,33A DIN rail



MF-CK3 Cavo connessione 3 mt. – Connection cable 3 mt.

MF-CK5 Cavo connessione 5 mt. – Connection cable 5 mt.

MF-CK10 Cavo connessione 10 mt. – Connection cable 10 mt.

MF-CK20 Cavo connessione 0 mt. – Connection cable 0 mt.



MF-YC Connettore a Y – Y-connector for daisy-chain



MF-TC Connettore a T – T-connector for daisy-Chain

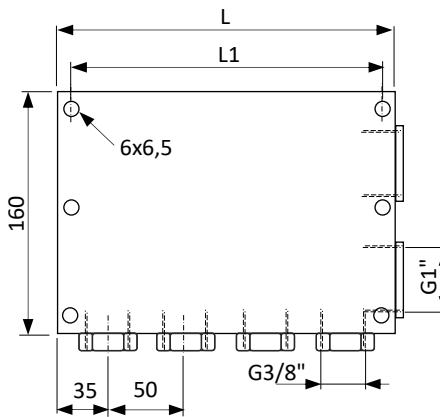
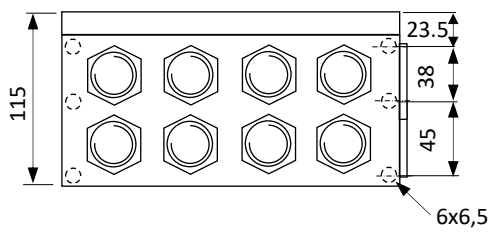


MF-CD5 Cavo VGA 5mt per display touch
VGA cable for display touch

Principali misure d'ingombro per l'installazione – Main overall dimensions for installation



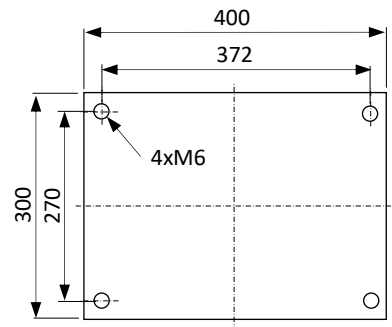
MF-FMS



Codice Code	N canali N gates	L
MF-FMS-4...	4	220
MF-FMS-8...	8	420
MF-FMS-12...	12	620



MF-EC



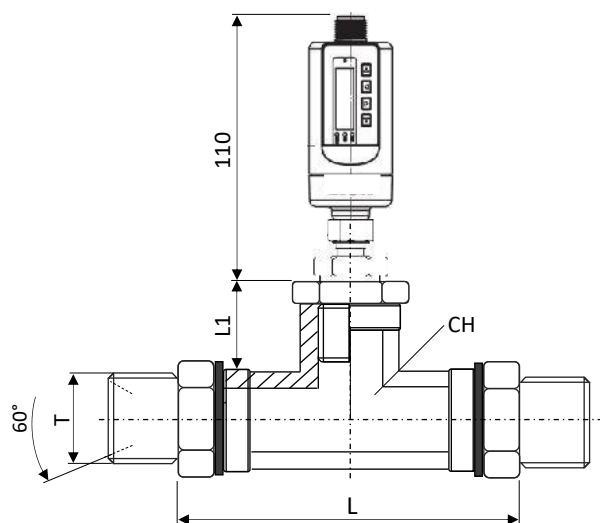
PF900 KIT SENSORE PORTATE ELEVATE - SENSOR KIT FOR HIGH FLOW



Kit già raccordato e correttamente posizionato per il controllo di portata e temperatura su tubi da 3/4", 1", 1"1/4.

Stand-alone solution, flexible and perfect to be used on different injection machines according to specific needs.

Temperatura max. 90°C.
Pressione max. 15 Bar.
Max. temperature 90°C.
Max pressure 15 Bar.



Codice-Code	CH	L	L1	T	lit/min
PF900-G34-T	33	92	34,5	G3/4"	5/45
PF900-G1-T	41	103	41	G1"	6,4/63,6
PF900-G114-T	48	109	43	G1"1/4	12,5/124
PF900-G112-T	65	131	53	G1"1/2	16,3/162,

PF05-002

Trasformatore – Power unit



PF001 **KIT MISURAZIONE DIGITALE PORTATA E TEMPERATURA**
FLOW AND TEMPERATURE DIGITAL MEASUREMENT UNIT



Sistema digitale di misurazione portata e temperatura per circuiti di condizionamento stampi, semplice e versatile. Utilizzo con acqua o acqua e glicole fino a 12 Bar e 90°C. Tre fasce di portata misurabile; minore è il campo di utilizzo maggiore è la precisione. Dotazione compresa di cavi e trasformatore.

Digital flow and temperature test-system, simple and versatile. It can be used with water and water with glycol. Three flow range options. The lowest range is the most precise. Power supply and wires are included.

Codice-Code	Raccordo Fitting	lit/min
PF001-0120-01	G1/2"	1...20
PF001-0240-01	G3/4"	2...40
PF001-5100-01	G3/4"	5...100

PF002 **KIT MISURAZIONE DIGITALE PORTATA**
FLOW DIGITAL MEASUREMENT UNIT



Sistema digitale di misurazione della SOLA PORTATA per circuiti di condizionamento stampi con acqua, acqua e glicole o olio diatermico fino a 12 Bar e 180°C. Due fasce di portata misurabile; minore è il campo di utilizzo maggiore è la precisione. Dotazione compresa di cavi e trasformatore.

Digital flow test unit It can be used with water and water with glycol. Three flow range options. The lowest range is the most precise. Available solutions also for diathermic oil and for temperature up to 180°C.

Codice-Code	Raccordo Fitting	lit/min
PF002-0325-01	G3/4"	1...20
PF002-0350-01	G3/4"	2...40

PF007 Valigetta protettiva ermetica con
imballo sagomato per PF010 e PF020



Codice-Code	Misure esterne External size
PF008-001	258x243x117

CENTRALINA IDRAULICA PER IL TEST DI TENUTA CIRCUITI
HYDRAULIC PUMP FOR MOULD COOLING CIRCUITS TEST



PE111 264

CENTRALINA IDRAULICA PER IL TEST DI TENUTA CIRCUITI
HYDRAULIC PUMP FOR MOULD COOLING CIRCUITS TEST



PE130 265

DISPOSITIVI MANUALI PER IL TEST DI TENUTA CIRCUITI
HAND-EQUIPMENTS FOR MOULD COOLING CIRCUITS TEST



**PE121
PE102 266**

CENTRALINA OLEIDINAMICA CARRELLABILE
HYDRAULIC CYLINDER PORTABLE TEST UNIT



PE112 267

MACCHINA PER PULIZIA CIRCUITI DI CONDIZIONAMENTO
MOULD COOLING CHANNEL CLEANING MACHINE



SPM 268

DISPOSITIVO MANUALE SVUOTAMENTO CIRCUITI
HAND-EQUIPMENT FOR CIRQUIT EMPTYING



PE121 270

VALVOLE SFOGO ARIA
AIR-VENT VALVES



**PE210
PE211
PE212 271**

FILTRO DEFANGATORE MAGNETICO
MAGNETIC DIRT FILTER



PE202 272

FILTRI A Y - Y FILTERS



**PE230
PE213 273**

TERMOMETRO - THERMOMETER



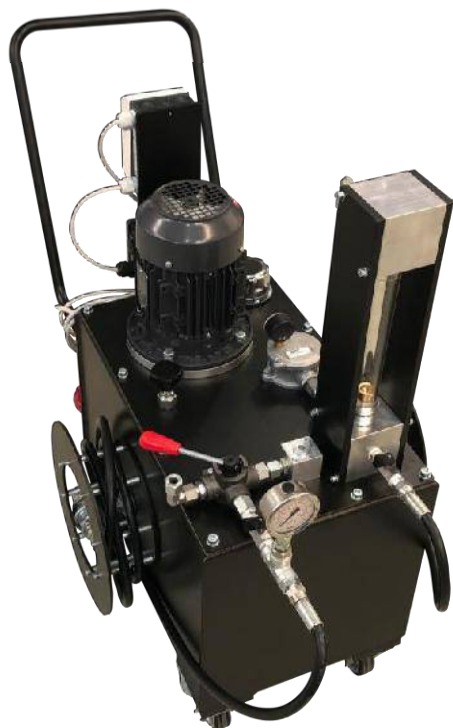
PC2190 274

TUBI TRASFERIMENTO CALORE
HEAT TRANSFER RODS



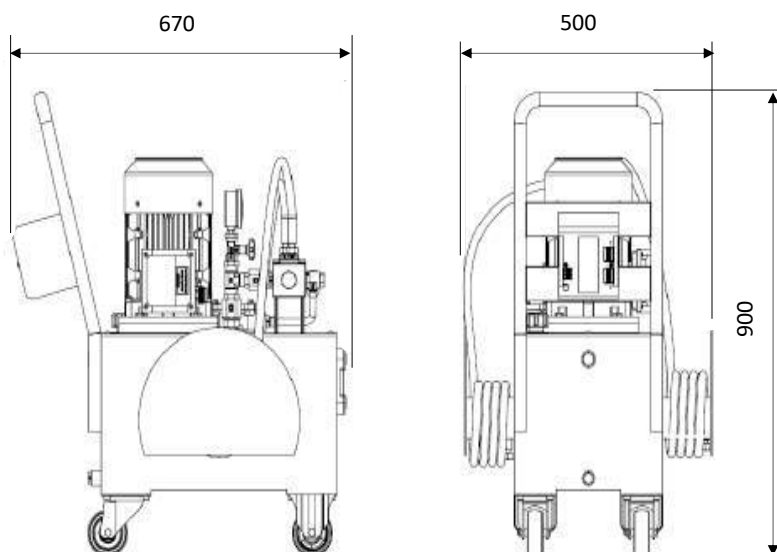
PE301 275

PE111-005-050

 CENTRALINA DI TEST CIRCUITI DI CONDIZIONAMENTO STAMPI
 MOULD-COOLING CIRCUIT TEST UNIT


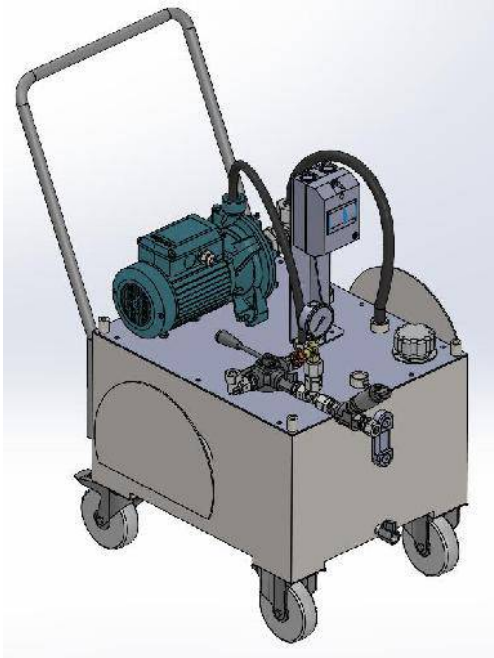
Caratteristiche tecniche - Technical Features

Peso - Weight	55 Kg
Capacità serbatoio - Tank capacity	50 L
Dimensioni - Sizes	
Potenza motore elettrico - Electric motor power	0,75 kW
Tensione alimentazione - Voltage	230/400 V (50hz)
Portata - Flow	5 lit/min
Pressione massima - Max pressure	25 Bar (regolabile-adjustable)
Temperatura max - Max working temperature	60°C
Fluidi utilizzabili - Usable fluids	Acqua+Glicole - Water+Glicol
Viscosità minima - Min. viscosity	12 mm ² /s
Misurazione portata - flow control system	analogica - analogic system



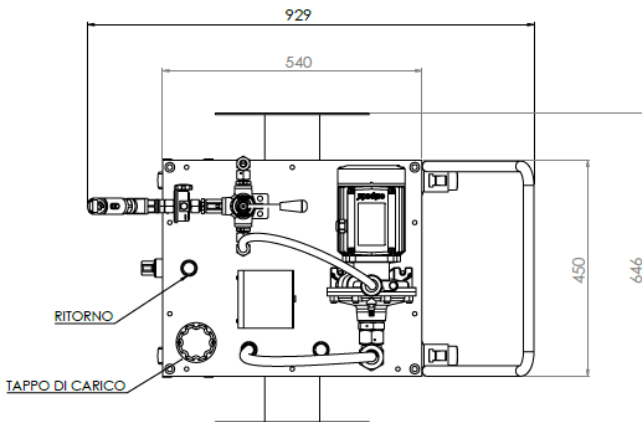
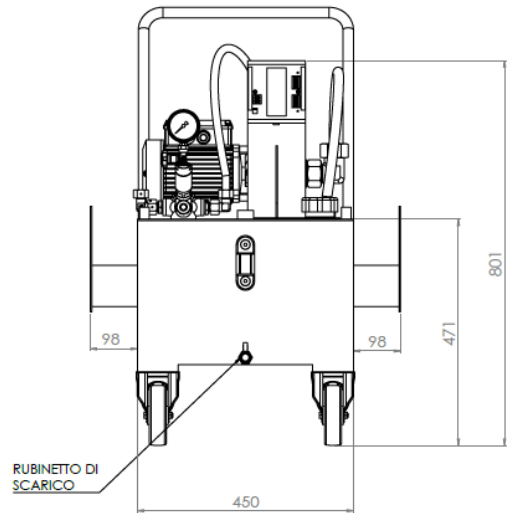
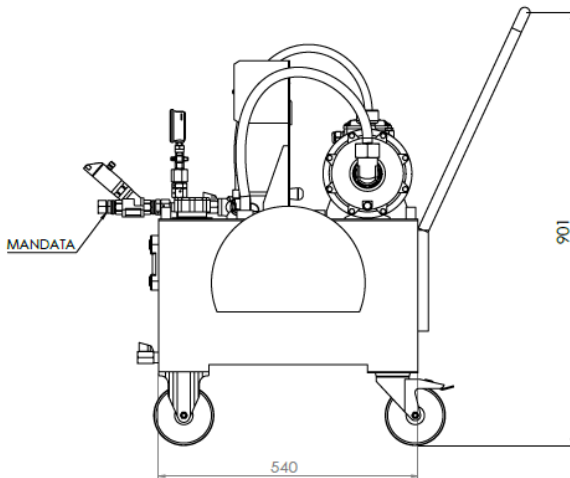
PE130-25-050

**CENTRALINA DI TEST CIRCUITI DI CONDIZIONAMENTO STAMPI
MOULD-COOLING CIRCUIT TEST UNIT**



Catatteristiche tecniche - Technical Features

Peso a vuoto - Empty machine weight	55 Kg
Materiale vasca - tank material	Acciaio Inox - Inox Steel
Capacità serbatoio - Tank capacity	30 L
Potenza motore elettrico - Electric motor power	0,75 kW
Tipo di pompa	centrifuga trifase - Threephase Centrifugal Pump
Tensione alimentazione - Voltage	230/400 V (50hz)
Portata - Flow	25 lit/min
Pressione massima - Max pressure	4 Bar
Temperatura max - Max working temperature	60°C
Fluidi utilizzabili - Usable fluids	Acqua - Water
Misurazione portata - flow control system	Sensore digitale IFM SBG233 IFM SBG233 Digital Sensor



PE101

POMPA MANUALE PER IL COLLAUDO DI IMPIANTI IDRAULICI E CONDIZIONAMENTO STAMPI FINO A 60 BAR CON SERBATOIO VERTICALE.
PRESSURE TEST PUMP FOR HYRAULIC CIRCUITS TEST AND MOULD CONDITIONING UP TO 60 BAR WITH VERTICAL LAYOUT



Catatteristiche tecniche Technical Features

Peso - Weight	10 Kg
Capacità serbatoio - Tank capacity	12 L
Dimensioni - Sizes	260 x 260 x 540
Tubo alta pressione - High pressure hose 1500 mm - FGD 1/2" - FGD 1/2"	
Pressione massima - Max pressure	60 Bar
Temperatura maxdi esercizio - Max working temperature	90°C*
Fluidi utilizzabili - Usable fluids: Acqua, Acqua+Glicole - Water, Water+Glicol	
* Su richiesta disponibile con O-Rings FKM 180°C - Available on request with FKM O-Rings 180°C	

PE102

KIT PNEUMATICO PER IL TEST DI TENUTA CIRCUITI CONDIZIONAMENTO STAMPI
PNEUMATIC KIT FOR COOLING MOULD CIRCUITS

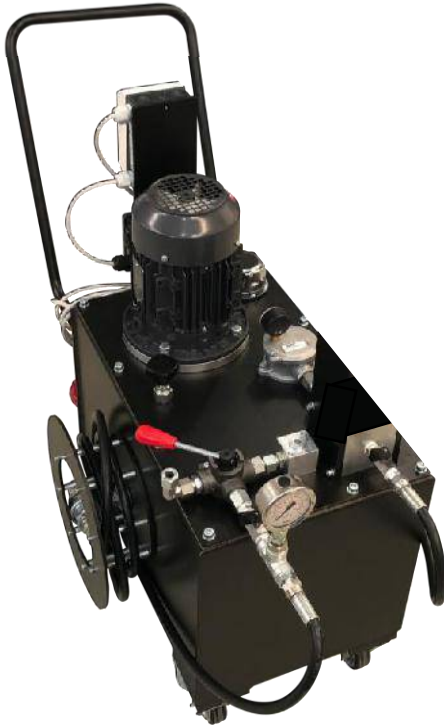


Estremamente semplice, compatto ed economico. Un kit per verificare la tenuta di un circuito idraulico utilizzando solo aria compressa. Fornito completo di raccordi rapidi a scelta.
Extremely simple, compact and price convenient. A test-kit for hydraulic circuits by using only compressed air. The set is supplied completed with standard quick couplings as preferred.



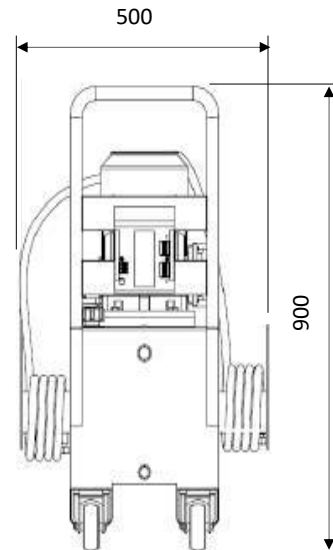
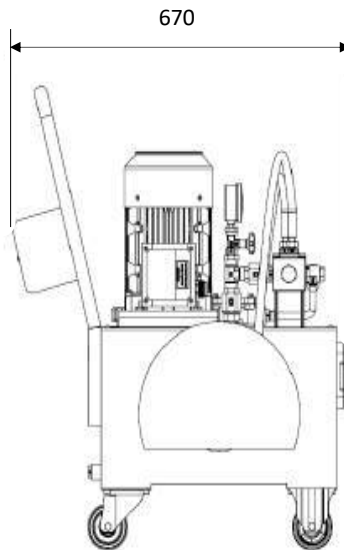
Codice-Code	Misura Size	Standard innesti rapidi Quick coupling standard
PE102-1100-09	9	Europeo - European
PE102-1100-13	13	Europeo - European
PE102-1200-09	9	Internazionale - International
PE102-1200-13	13	Internazionale - International
PE102-1300-06	6	Francese - French
PE102-1300-09	9	Francese - French
PE102-1300-12	12	Francese - French
PE102-1500-08	8	Francese-eco - Eco-French
PE102-1500-12	12	Francese-eco - Eco-French

PE112 CENTRALINA OLEODINAMICA CARRELLABILE
HYDRAULIC CYLINDER PORTABLE TEST UNIT



Codice - Code | Caratteristiche tecniche - Technical Features

PE112-005-030	Peso a vuoto - empty machine weight	57,5 Kg
	Capacità serbatoio - Tank capacity	30 l
	Portata - Flow	5 l/min
	Pressione massima - Max pressure	150 Bar
	Temperatura maxdi esercizio - Max working temperature	-5°C / 60°C
	Fluidi utilizzabili - Usable fluids	VG46
	Potenza motore - Power	1,5 kW
	Tensione alimentazione - Voltage	230/400 V trifase
PE112-013-030	Peso a vuoto - empty machine weight	60 Kg
	Capacità serbatoio - Tank capacity	30 l
	Portata - Flow	13 l/min
	Pressione massima - Max pressure	150 Bar
	Temperatura maxdi esercizio - Max working temperature	-5°C / 60°C
	Fluidi utilizzabili - Usable fluids	VG46
	Potenza motore - Power	1,5 kW
	Tensione alimentazione - Voltage	230/400 V trifase



SPM

**MACCHINA PER PULIZIA CIRCUITI DI CONDIZIONAMENTO
 MOULD COOLING CHANNELS CLEANING MACHINE**


Per la migliore efficienza dei circuiti di condizionamento degli stampi, il contatto del fluido con le pareti dei canali è fondamentale, così come la minima riduzione degli stessi dovuta ad impurità e calcare. La qualità dell'acqua di raffreddamento determina la formazione di calcare, ruggine o carbone oleoso. Questi sedimenti riducono la sezione dei canali di raffreddamento e ostacolano il trasferimento di calore tra l'acciaio e il fluido di condizionamento. Ciò provoca un aumento graduale del tempo di riscaldamento o raffreddamento e di conseguenza del tempo ciclo ed infine un peggioramento della qualità della fusione. La linea di macchine SPM della FIMRO GmbH è in grado di ottenere la pulizia di calcare, impurità e ruggine dai canali di condizionamento degli stampi.

For the optimal temperature control of a die, the contact surface between cooling medium and die steel is significant. The quality of the cooling water determines the building of limestone, rust or oil coal. These sediments are reducing the cross section of the cooling channels and hinder the heat transfer between the steel and the cooling medium. This causes a creeping increase of the heating time and the cooling time and as a result the cycle time and then causes a decline of the casting quality. The SPM machines built by FIMRO GmbH is able to remove limestone, rust and dirtiness from mould cooling channel.

Vantaggi:

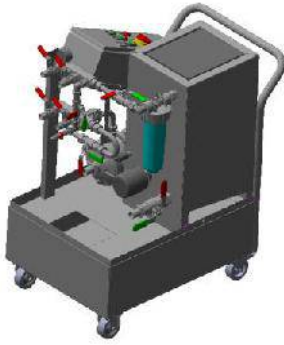
1. Rimozione di calcare, ruggine e carbone oleoso e applicazione di un rivestimento anticorrosivo nei canali di riscaldamento e raffreddamento.
2. Non è necessario lo smontaggio dello stampo e la pulizia meccanica dei canali.
3. Raffreddamento stabile dello stampo, qualità di fusione uniforme e aumento della produzione.
4. Costi di manutenzione ridotti
5. È possibile il controllo della portata di ciascun canale in l/min.
6. Localizzazione delle perdite dei canali di raffreddamento mediante controllo di tenuta fino a 25 bar prima della produzione.
7. Cambio automatico del senso di rotazione della pompa

Advantages:

1. Removing of limestone, rust and oil coal and applying a anticorrosive coating in the heating and cooling channels.
2. No disassembly of the die and no mechanical cleaning of any channel needed.
3. Stable cooling of the die, uniform casting quality and increased production.
4. Reduced maintenance costs
5. Control of the flow rate of each channel in l/min is possible.
6. Localizing of leakage of the cooling channels by means of a tightness check with up to 25 bar before production.
7. Automatic change of direction of rotation of the pump.

MACHINE MODELS

SPM75



Macchina compatta per la pulizia fino a 2 canali indipendenti. Robusta e agile da gestire. Pompa e componenti in acciaio Inox.

Robust mobile compact machine which combines all components on small space and is suitable for the cleaning up to 2 number of cooling channels. Construction components and pump made in stainless steel.

SPM120



Macchina di dimensioni contenute per la pulizia fino a 4 canali indipendenti. Robusta e agile da gestire. Pompa e componenti in acciaio Inox.

Robust mobile machine which combines all components on small space and is suitable for the cleaning up to 2 number of cooling channels. Construction components and pump made in stainless steel.

SPM300



Macchina potente con portata elevate; può gestire fino a 10 canali indipendenti con ottima velocità di Funzionamento. Adatta a stampi di grandi dimensioni. Possibilità di utilizzo con programmi automatici. Pompa e componenti in acciaio Inox.

Machine developed to clean up to 10 independent cooling channels. The best for large moulds. A SPS Control system has been integrated to improve the operation. It is possible to integrate self created cleaning programs according to the requirements of the customer moulds. Construction components and pump made in stainless steel.

CARATTERISTICHE TECNICHE - TECHNICAL FEATURES

	SPM75	SPM120	SPM300
Dimensioni - Overall dimensions	820x610 h1000	1150x700 h1300	1900x1100 h1300
Capacità vasca - Tank volume	75 lit.	120 lit.	300 lit.
Portata nominale pompa - Pump nominal flow capacity	80 l/min	80 l/min	200 l/min
Potenza riscaldante - Heating power	4.5 Kw	4.5 Kw	9 Kw
Nr. circuiti - Nr. channels	2	4	10
Pressione max. pompa principale - Max. pressure main pump	4,5 Bar	4,5 Bar	4,5 Bar
Bypass	✓	✓	✓
Indicatore digitale portata - Digital flow indicator	✓	✓	✓
Protezione livello - Empty running protection	✓	✓	✓
Display temperatura - Temperature display	-	-	✓
Vasca di raccolta - Collection through	optional	optional	✓
Controllo frequenza - Frequency control	-	-	✓
Pompa booster 25 Bar - 25 Bar booster pump	optional	optional	optional
Supporto tubi - Hoses holder	optional	optional	optional
Indicatore usura filtro - Contamination filter indicator	optional	optional	optional
Indicatore concentrazione liquidi - Liquid concentration check system	optional	optional	optional
Prestazioni acido citrico - Acid citric cleaning	impurità, calcare - dirt, limestone		
Prestazioni acido fosforico - Phosphoric acid cleaning	impurità, calcare, ruggine - dirt, limestone, rust		

PE121 DISPOSITIVO DI SVUOTAMENTO CIRCUITI - COOLING CIRCUIT EMPTYING DEVICE



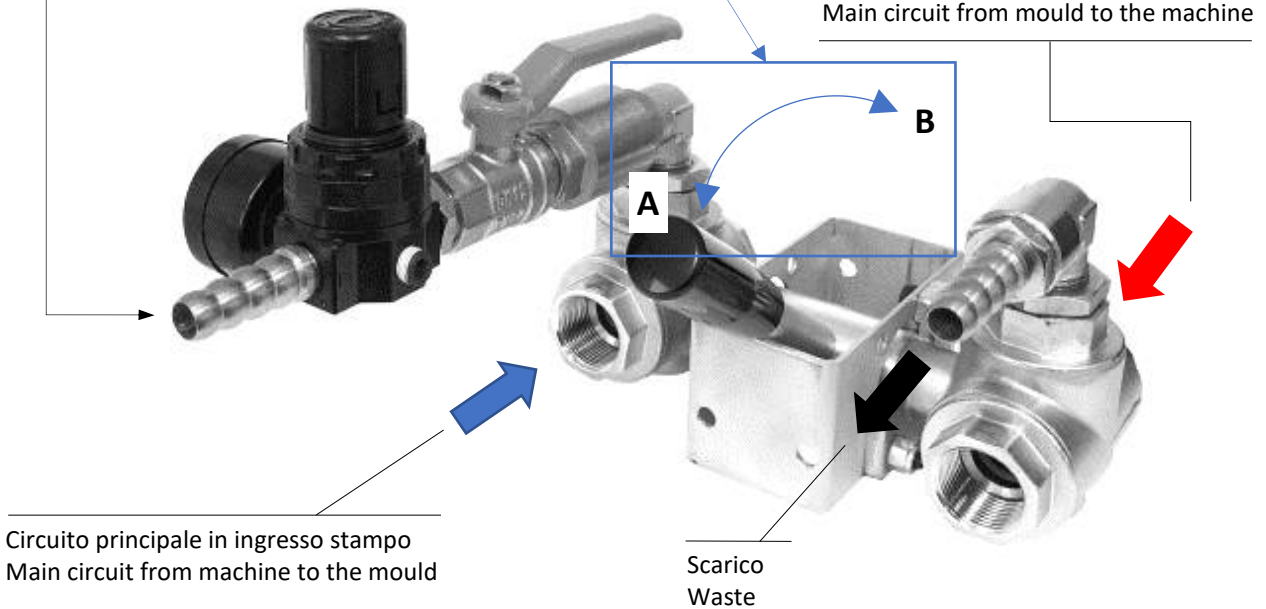
ISTRUZIONI DI COLLEGAMENTO E FUNZIONAMENTO – CONNECTION AND OPERATION INSTRUCTIONS

LEVA IN POSIZIONE A – circuito in funzione operativa.
LEVA IN POSIZIONE B – circuito in svuotamento

LEVER IN POSITION A – the circuit is operating
LEVER IN POSITION B – the circuit is emptying

Collegamento aria compressa
Compressed air connection

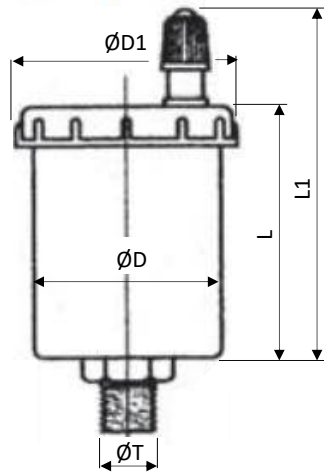
Circuito principale in uscita stampo
Main circuit from mould to the machine



Circuito principale in ingresso stampo
Main circuit from machine to the mould

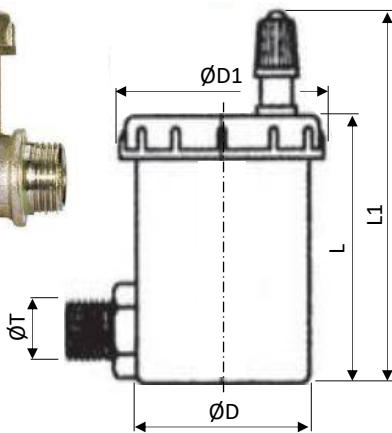
Scarico
Waste

PE211 VALVOLA SFOGO ARIA – AIR-VENT VALVE



Codice-Code	ØD	ØD1	L	L1	ØT	Max Bar	Max °C
PE211-G38	38	46,5	50	66	G3/8"	10	110
PE211-G12	38	46,5	50	66	G1/2"		
PE211-G34	38	46,5	50	66	G3/4"		
PE211-G100	38	46,5	72	88	G1"		

PE212 VALVOLA SFOGO ARIA USCITA A 90° - 90° AIR-VENT VALVE



Codice-Code	ØD	ØD1	L	L1	ØT	Max Bar	Max °C
PE212-G38	39	42	42	61	G3/8"	10	110
PE212-G12	39	42	42	61	G1/2"		

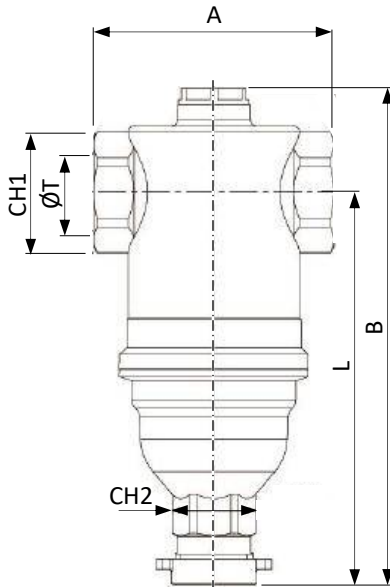
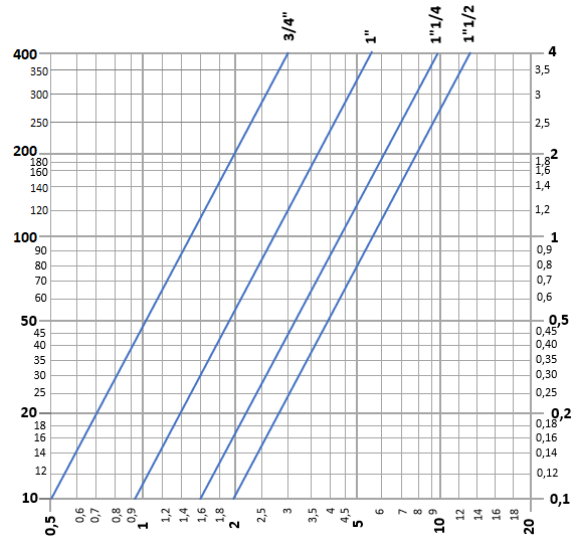
PE202 FILTRO DEFANGATORE MAGNETICO – MAGNETIC DIRT FILTER



Il defangatore magnetico PE201 consente di eliminare sporco e detriti – ruggine, trucioli, fanghi – dal fluido termovettore che circola all’interno degli impianti di termoregolazione. Costruzione in ottone con filtro in acciaio Inox. Possibilità di utilizzo con glicole fino al 50%. Il filtro deve essere installato sempre con orientamento verticale nel senso dell’immagine qui sotto riportata.

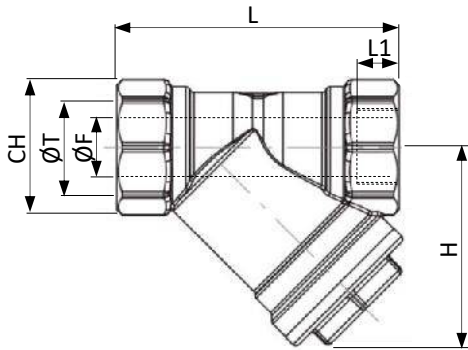
The magnetic dirt separator PE201 allows for the removal of dirt and debris – rust, mud, etc. - from the fluid circulating within the thermoregulation circuits. Possibility to be used with max. glycol at 50%. The filter must be installed in vertical position according to the following picture.

DIAGRAMMA PERDITE DI CARICO
PRESSURE DROPS DIAGRAM



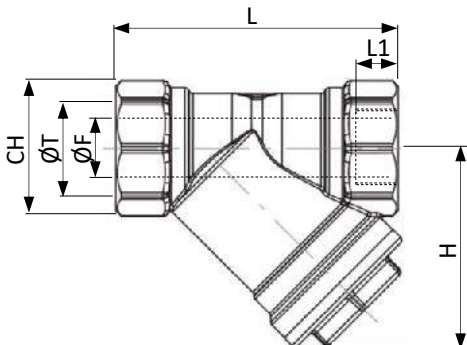
Codice-Code	A	B	CH1	CH2	L	ØT	Max Bar	Max °C
PE202-G34						G3/4"		110
PE202-G34-V	82	205	37		170	G3/4"		180
PE202-G100						G1"		110
PE202-G100-V				26		G1"	10	180
PE202-G114						G1 1/4"		110
PE202-G114-V	90	241	54		192	G1 1/4"		180
PE202-G112						G1 1/2"		110
PE202-G112-V						G1 1/2"		180

PE230 FILTRO AD Y IN OTTONE CON RETE IN ACCIAIO INOX. ORIFIZI FEMMINA BSP E RUBINETTO DI SCARICO
BRASS Y PATTERN FILTER WITH STAINLESS STEEL STRAINER. THREADED ENDS F/F AND DRAIN VALVE

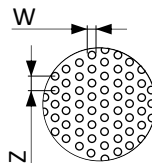


Codice-Code	F	H	L	L1	ØT	Max Bar	Max temp	Capacità filtr. Rating
PE230-G14	9	31	46	9	G1/4"	16	100°	20 mesh
PE230-G38	9	31	46	9	G3/8"			
PE230-G12	15	40	56	11	G1/2"			
PE230-G34	18	46	67	11	G3/4"			
PE230-G1	20	50	74	14	G1"			
PE230-G114	31	67	96	15	G1"1/4			
PE230-G112	37	74	104	15	G1"1/2			

PE213 FILTRO AD Y AISI 316 CON ORIFIZI FEMMINA BSP
AISI 316 Y PATTERN FILTER WITH FEMALE THREADED PORTS BSP



Codice-Code	F	H	L	L1	ØT	Max Bar	Max temp	W	Z
PE213-G14	10	43	64	15	G1/4"	40	180°	2	1
PE213-G38	12	43	64	15	G3/8"				
PE213-G12	15	45	64	15	G1/2"				
PE213-G34	20	52	80	16	G3/4"				
PE213-G1	25	68	90	16	G1"				



PC2190 TERMOMETRO CON BOCCHETTONE MAX 80°C FIL. MASCHIO-FEMMINA 1" BSPP
THERMOMETER WITH TAIL PIECE MAX 80°C WITH 1" BSPP MALE-FEMALE THREAD



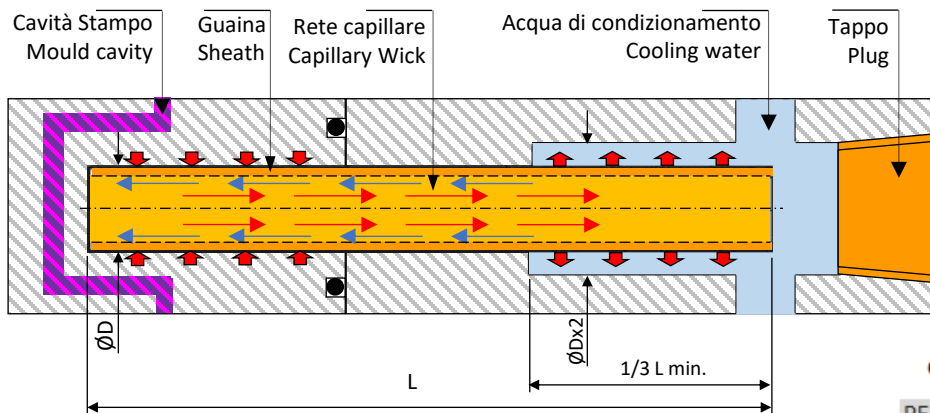
Codice-Code	$\varnothing T$	$\varnothing T1$
PE2190-G1	G1"	G1"1/4
PE2190-G114	G1"1/4	G1"1/2

PE301 TUBI DI TRASFERIMENTO CALORE HEAT TRANSFER RODS



Descrizione: Il tubo di trasferimento calore consente di dissipare il calore generato dall'iniezione della plastica sul punzone che non si può condizionare direttamente mediante la sua elevata conducibilità termica. Per il corretto funzionamento il tubo deve rimanere fuori dall'area di induzione termica per almeno 2/3 della sua lunghezza e, per almeno 1/3 a contatto con un canale di condizionamento idraulico. I vantaggi sono quelli degli ingombri estremamente ridotti e della facilità di installazione.

Description: The heat transfer rod has a good cooling effect. The internal refrigerant provides a heat conductivity which is 200 times more than brass pipes, with also a better thermal response. At least 2/3 of the pipe has to remain out from the heating area and at least 1/3 has to be in contact with cooling water mould circuit as to dissipate the heat. Advantages: water cooling circuits size reduction and simplification. Reduction of mould size. Fast installation.



Installazione :

- La sede di installazione deve avere un diametro pari a quello del tubo, maggiorato di 0,1 mm.
- In fase di montaggio applicare a tutta la superficie del tubo del grasso ad alta conducibilità termica.
- Inserire il tubo nella sede. La temperatura di esercizio applicabile va da +30°C a +200°C, la Pressione massima 20 Bar.
- Non tagliare o tornire il tubo. Non schiacciarlo o provocare urti accidentali. Il funzionamento è garantito esclusivamente se il tubo è perfettamente integro.
- Non utilizzare olio diatermico.

Installation Guidelines :

- Installed holes shall be bigger 0.1 mm than heat pipe.
- Use a heat transfer grease to the full space when install heat pipe.
- Insert heat pipe, end position shall be on side of heat pipe. Working temperature: 30°C-200°C (Burst temperature 250°C); max. working pressure 20 Bar.
- Do not cut or disassemble. Bending or squashing the heat transaction pipe hampers its cooling function.
- Do not use diathermic oil for cooling

Codice-Code	$\varnothing D$	L
PE301-02-050	2	50
PE301-02-075	2	75
PE301-02-100	2	100
PE301-02-125	2	125
PE301-02-150	2	150
PE301-02-200	2	200
PE301-03-050	3	50
PE301-03-075	3	75
PE301-03-100	3	100
PE301-03-125	3	125
PE301-03-150	3	150
PE301-03-200	3	200
PE301-04-050	4	50
PE301-04-065	4	65
PE301-04-075	4	75
PE301-04-100	4	100
PE301-04-125	4	125
PE301-04-150	4	150
PE301-04-200	4	200
PE301-05-100	5	100
PE301-06-075	6	75
PE301-06-100	6	100
PE301-06-125	6	125
PE301-06-150	6	150
PE301-06-200	6	200
PE301-08-100	8	100
PE301-08-125	8	125
PE301-08-150	8	150
PE301-08-200	8	200
PE301-10-100	8	100
PE301-10-125	10	125
PE301-10-150	10	150
PE301-10-200	10	200

TABELLA DI CONVERSIONE MISURE

filetti		tubi	
pollici gas	mm	pollici	mm
1/8"	10,08	1/8"	3,18
		3/16"	4,76
1/4"	13,36	1/4"	6,35
		5/16"	7,94
3/8"	16,82	3/8"	9,53
		9/16"	11,94
1/2"	20,9	1/2"	12,7
		5/8"	15,88
3/4"	26,26	3/4"	19,05
1"	33,25	1"	25,4
1"1/4	41,91	1"1/4	31,75
1"1/2	47,8	1"1/2	38,1
2"	59,61	2"	50,8



www.plasteelgroup.com

PRODOTTI



Ranco
normalizzati
ingegnerizzati
speciali



iHR Solution
sistemi di iniezione



Tecnostar Group
portastampi
utensili



Technoloy & Solutions
tecnologie laser
lucidatura

LAVORAZIONI



iHR Maker
lavorazioni
meccaniche



iHR Precision
particolari di
precisione



EASY STEEL
consulenza
software per stampi



iPlastic
collaudi stampi
formazione

SERVIZI

Promec
FITTINGS

www.promecfittings.com