



# LIFTERS

## UNDERCUT RELEASE

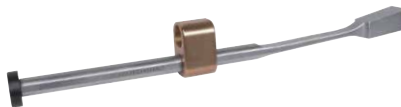
### SECTION H



UniLifter Undercut Release (UL-Series)	UniLifter Undercut Release (C-Series)	
Prefix: CB, UC, TG	Prefix: CB, CC, CG	V
Page: H-1	Page: H-1	

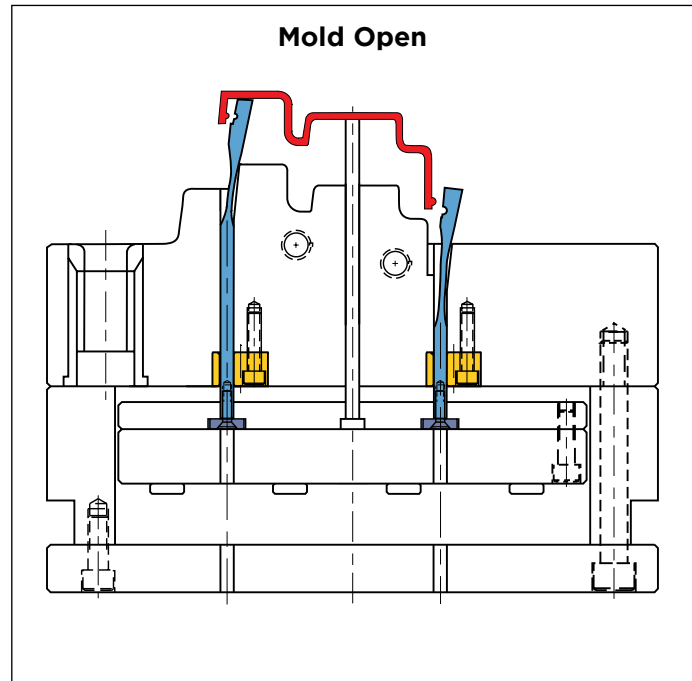
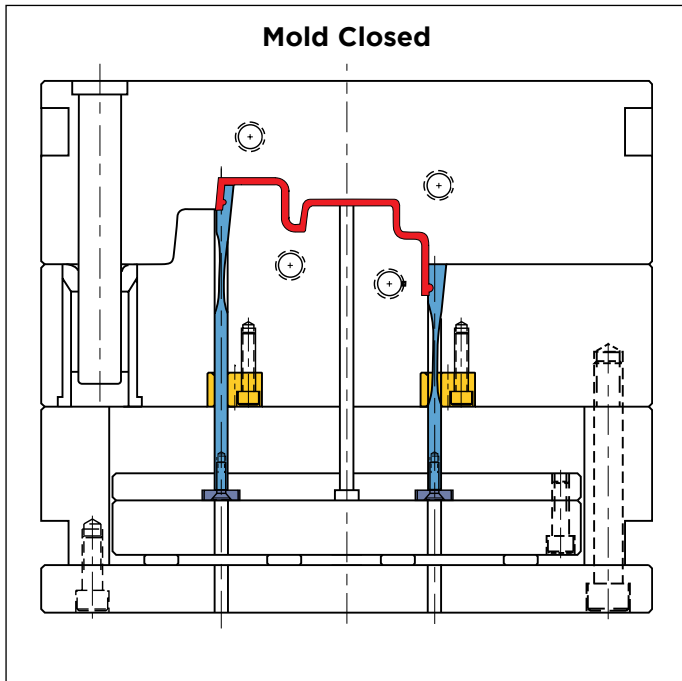
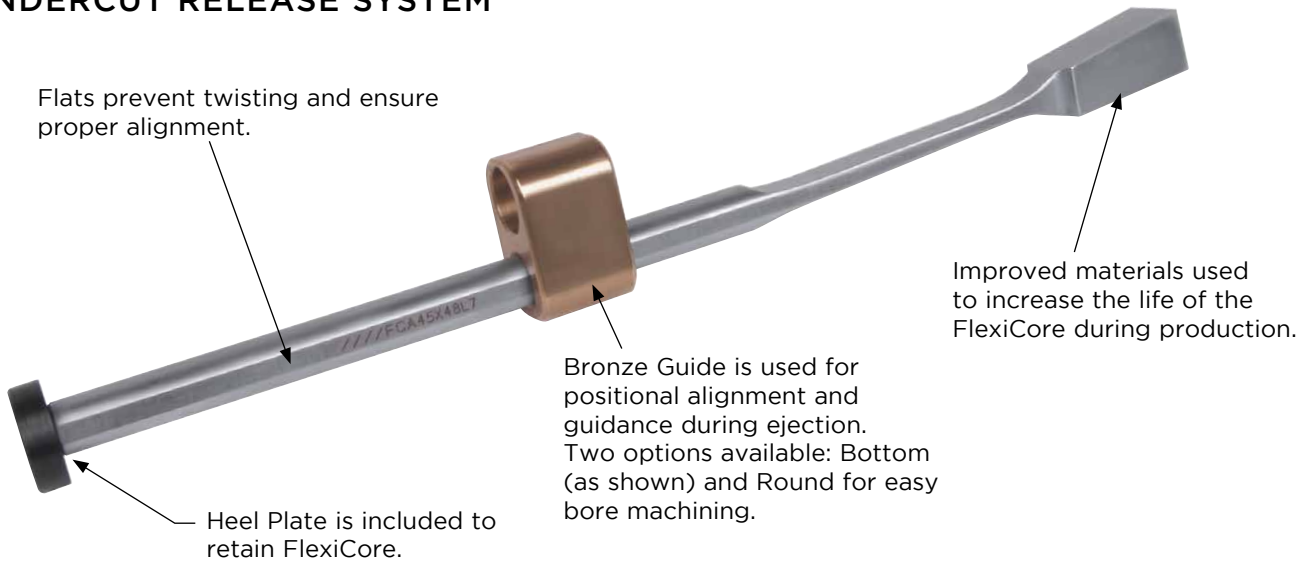


Spherical Bushings	Lifter Guides	Lifter Head Key
Prefix: LSB	Prefix: LG, SGV	Prefix: LHK
Page: H-9	Page: H-10	Page: H-11



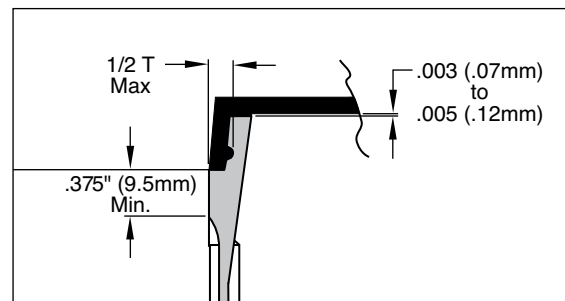
	FlexiCore System
Prefix: MLC, MLC, MLC, MLC	Prefix: FCA, FCR, FCDA
Page: H-12	Page: H-18

**FLEXICORE™**  
UNDERCUT RELEASE SYSTEM



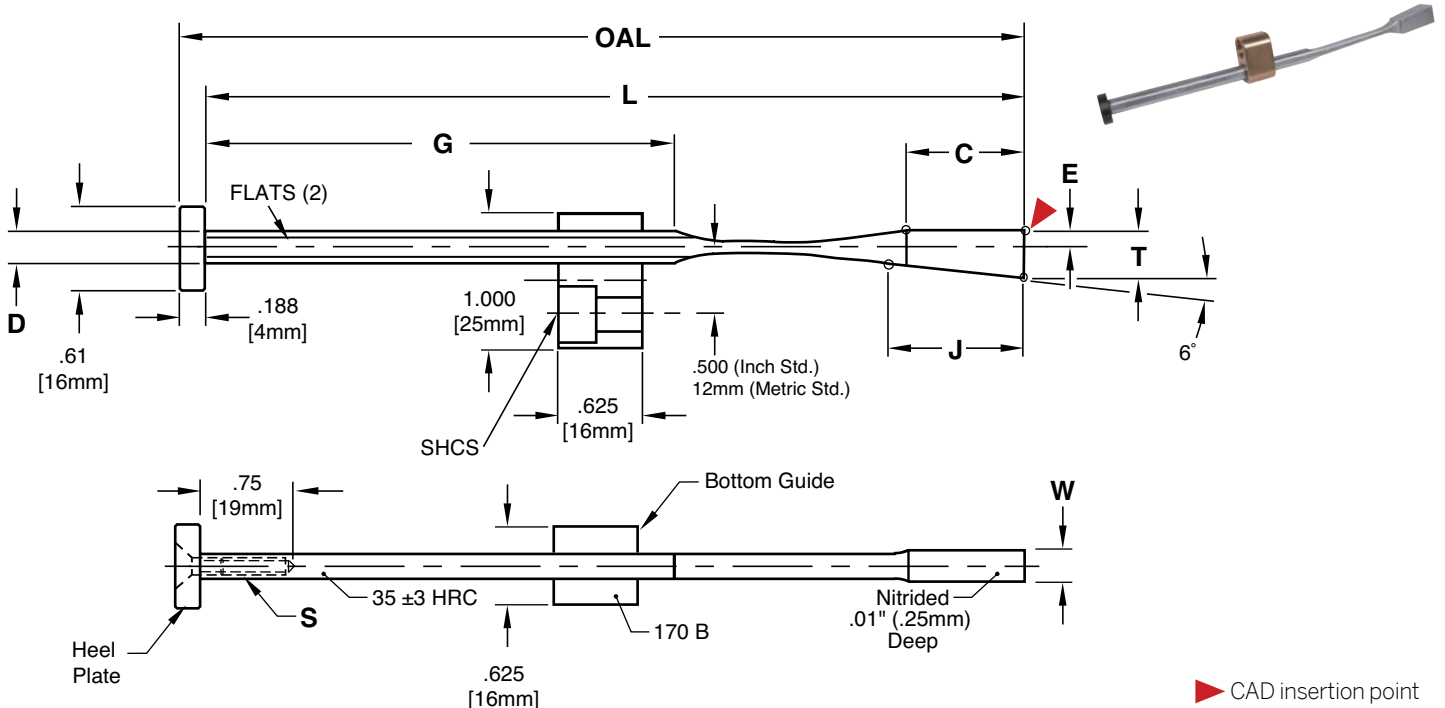
**APPLICATION GUIDELINES**

- The FlexiCore diameter (D) must be within the Guide prior to ejection as shown above.
- Only surface treatments applied at low temperatures such as Electroless Nickel-based or chromium deposition treatments are permitted.
- Maximum temperature is 250°F (125°C).
- FlexiCore Assembly includes: FlexiCore, Bronze Guide (Bottom or Round), Heel Plate, and Flat Head Cap Screw.
- Please contact [tech@procomps.com](mailto:tech@procomps.com) to review any designs if questions arise or if your application differs from the examples shown.





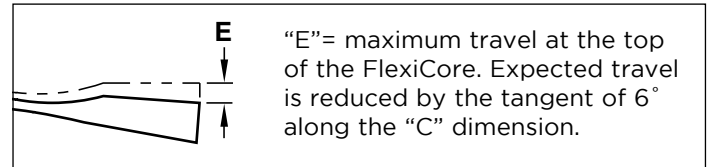
# FLEXICORE™ BOTTOM GUIDE ASSEMBLY



▶ CAD insertion point

### APPLICATION GUIDELINES

- The FlexiCore can be cut down and re-tapped to accommodate specific applications.
- Assemblies include FlexiCore, Bottom Guide, Heel Plate, and Flat Head Cap Screw.
- Assembly components also sold individually on page H-23.



### Inch Standard

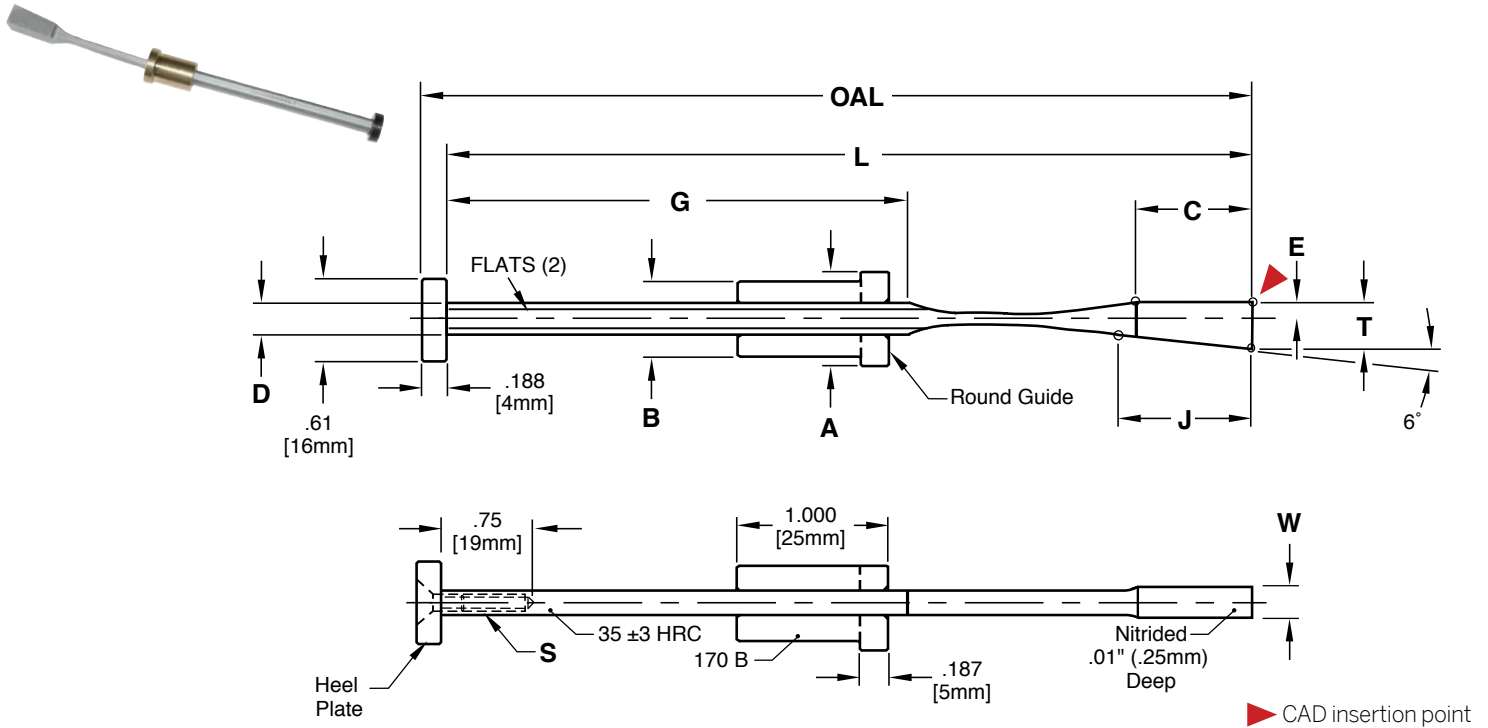
**M** FlexiCore: AISI 4340 with thin, dense Chromium treatment, Guide: CA954 Solid Bronze, Heel Plate: AISI 1018

CATALOG NUMBER	T +.002 -.000	W +.002 -.000	L +.010 -.000	OAL REF	D +.000 -.001	C ±.015	E	G +.01 -.00	J	S (INCLUDED)	SHCS
FCA35X24L6	.354	.244	6.400	6.588	.234	.875	.137	3.49	.957	#8-32 x 3/8	1/4-20
FCA35X32L6	.354	.322	6.400	6.588	.250	.875	.137	3.48	.957	#8-32 x 3/8	1/4-20
FCA45X40L7	.453	.401	7.875	8.062	.312	1.000	.177	4.38	1.025	#10-24 x 1/2	1/4-20
FCA45X48L7	.453	.480	7.875	8.062	.312	1.000	.177	4.38	1.025	#10-24 x 1/2	1/4-20

### Metric Standard

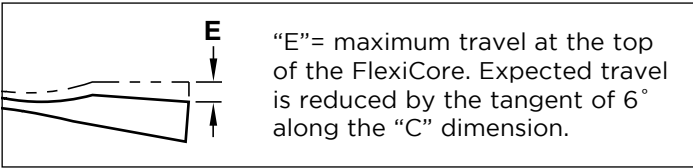
CATALOG NUMBER	T +.05 -.00	W +.05 -.00	L +.25 -.00	OAL REF	D +.000 -.025	C ±.35	E	G +.25 -.00	J	S (INCLUDED)	SHCS
FCA9X6L160	9	6.2	162.5	166.5	5.94	22	3.5	88.6	24.3	M4-0.7 x 12	M6-1
FCA9X8L160	9	8.2	162.5	166.5	6.35	22	3.5	88.4	24.3	M4-0.7 x 12	M6-1
FCA11X10L200	11.5	10.2	200.0	204.0	7.92	26	4.5	111.2	26.0	M5-0.8 x 14	M6-1
FCA11X12L200	11.5	12.2	200.0	204.0	7.92	26	4.5	111.2	26.0	M5-0.8 x 14	M6-1
FCA12X14L200	12.5	14.2	200.0	204.0	7.92	30	4.5	107.2	28.5	M5-0.8 x 14	M6-1
FCA12X16L200	12.5	16.2	200.0	204.0	7.92	30	4.5	107.2	28.5	M5-0.8 x 14	M6-1

# FLEXICORE™ ROUND GUIDE ASSEMBLY



**APPLICATION GUIDELINES**

- The FlexiCore can be cut down and re-tapped to accommodate specific applications.
- Assemblies include FlexiCore, Round Guide, Heel Plate, and Flat Head Cap Screw.
- Assembly components also sold individually on page H-23.



**Inch Standard**

**M** FlexiCore: AISI 4340 with thin, dense Chromium treatment, Guide: CA954 Solid Bronze, Heel Plate: AISI 1018

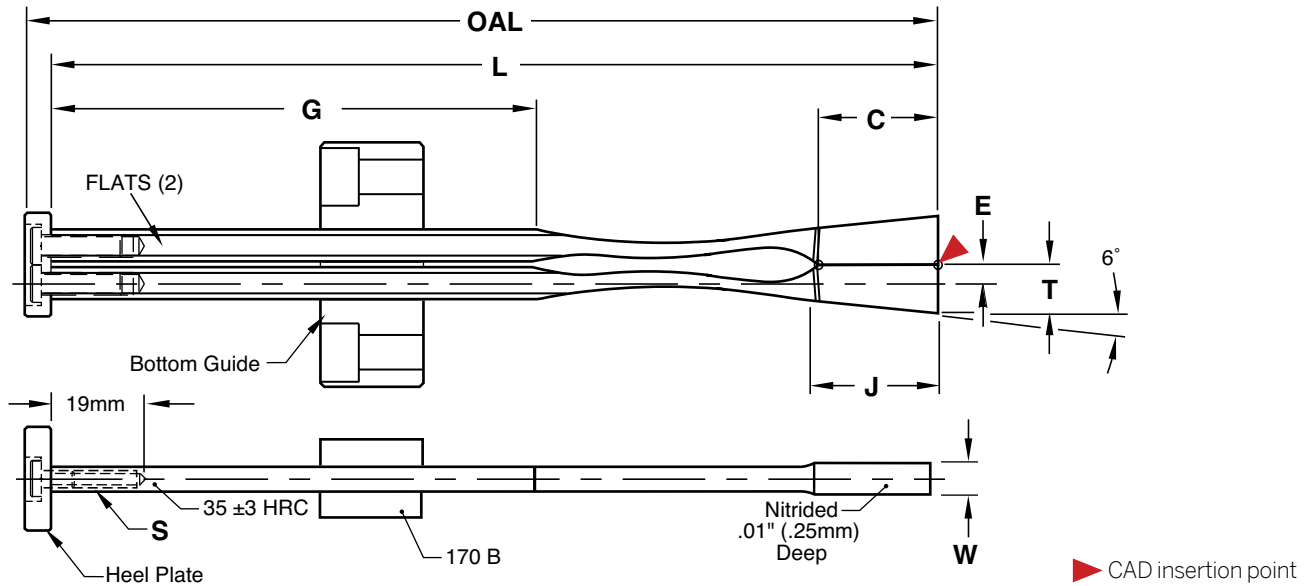
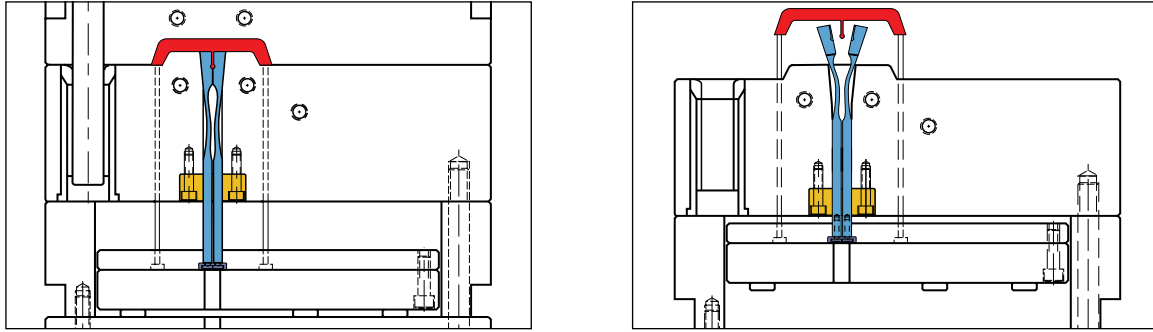
CATALOG NUMBER	T +.002 -.000	W +.002 -.000	L +.010 -.000	OAL REF	D +.000 -.001	C ± .015	E	G +.01 -.00	J	S (INCLUDED)	A	B
<b>FCR35X24L6</b>	.354	.244	6.400	6.588	.234	.875	.137	3.49	.957	#8-32 x 3/8	.625	.500
<b>FCR35X32L6</b>	.354	.322	6.400	6.588	.250	.875	.137	3.48	.957	#8-32 x 3/8	.625	.500
<b>FCR45X40L7</b>	.453	.401	7.875	8.062	.312	1.000	.177	4.38	1.025	#10-24 x 1/2	.750	.625
<b>FCR45X48L7</b>	.453	.480	7.875	8.062	.312	1.000	.177	4.38	1.025	#10-24 x 1/2	.750	.625

**Metric Standard**

CATALOG NUMBER	T +.05 -.00	W +.05 -.00	L +.25 -.00	OAL REF	D +.000 -.025	C ±.35	E	G +.25 -.00	J	S (INCLUDED)	A	B
<b>FCR9X6L160</b>	9	6.2	162.5	166.5	5.94	22	3.5	88.6	24.3	M4-0.7 x 12	16	12
<b>FCR9X8L160</b>	9	8.2	162.5	166.5	6.35	22	3.5	88.4	24.3	M4-0.7 x 12	16	12
<b>FCR11X10L200</b>	11.5	10.2	200.0	204.0	7.92	26	4.5	111.2	26.0	M5-0.8 x 14	20	16
<b>FCR11X12L200</b>	11.5	12.2	200.0	204.0	7.92	26	4.5	111.2	26.0	M5-0.8 x 14	20	16
<b>FCR12X14L200</b>	12.5	14.2	200.0	204.0	7.92	30	4.5	107.2	28.5	M5-0.8 x 14	20	16
<b>FCR12X16L200</b>	12.5	16.2	200.0	204.0	7.92	30	4.5	107.2	28.5	M5-0.8 x 14	20	16



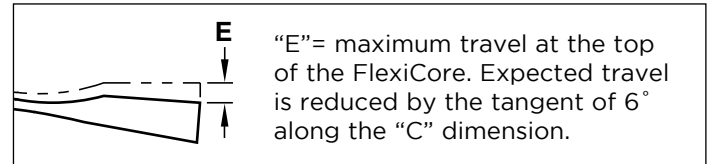
# FLEXICORE™ DOUBLE ACTUATION



▶ CAD insertion point

## APPLICATION GUIDELINES

- The FlexiCore can be cut down and re-tapped to accommodate specific applications.
- Assemblies include two FlexiCores, one Bottom Guide, one Heel Plate, and two Low Head Cap Screws.
- Assembly components also sold individually on page H-23.



## Inch Standard

**M** FlexiCore: AISI 4340 with thin, dense Chromium treatment, Guide: CA954 Solid Bronze, Heel Plate: AISI 1018

CATALOG NUMBER	T +.002 -.000	W +.002 -.000	L +.010 -.000	OAL REF	D +.000 -.001	C ±.015	E ±.015	G +.01 -.00	J +.01 -.00	S (INCLUDED-2)
FCDA35X24L6	.354	.244	6.400	6.588	.234	.875	.137	3.49	.957	#8-32 x 3/8
FCDA45X48L7	.453	.480	7.875	8.062	.312	1.000	.177	4.38	1.025	#10-24 x 1/2

## Metric Standard

CATALOG NUMBER	T +.05 -.00	W +.05 -.00	L +.25 -.00	OAL REF	D +.000 -.025	C ±.035	E 015	G +.25 -.00	J +.01 -.00	S (INCLUDED-2)
FCDA9X6L160	9	6.2	162.5	166.5	5.94	22	3.5	88.6	24.3	M4-0.7 x 12
FCDA11X12L200	11.5	12.2	200.0	204.0	7.92	26	4.5	111.2	26.0	M5-0.8 x 14
FCDA12X14L200	12.5	14.2	200.0	204.0	7.92	30	4.5	107.2	28.5	M5-0.8 x 14
FCDA12X16L200	12.5	16.2	200.0	204.0	7.92	30	4.5	107.2	28.5	M5-0.8 x 14

# FLEXICORE™ ACCESSORIES

## WEAR BLOCKS

### Inch Standard

**M** P-20 Pre-Hard **H** Nitrided .005" Deep

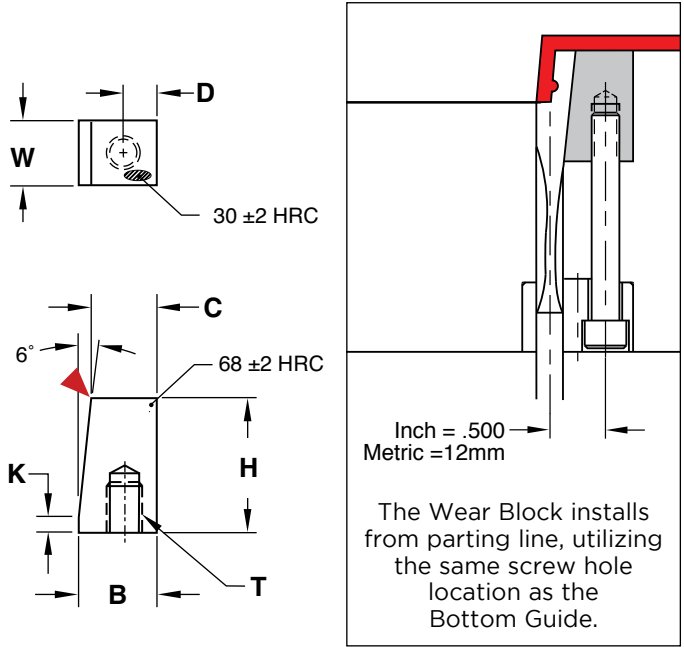
CATALOG NUMBER	W +.002 -.000	D ±.01	B +.001 -.000	C +.001 -.000	H	K	T THREAD
FCWB-24	.244	.250	.626	.533	1.000	.115	#10-24
FCWB-32	.322	.250	.626	.533	1.000	.115	1/4-20
FCWB-40	.401	.250	.567	.474	1.000	.115	1/4-20
FCWB-48	.480	.250	.567	.474	1.000	.115	1/4-20

Note: FCWB-24 is designed for use with a 1/4ø shoulder bolt.

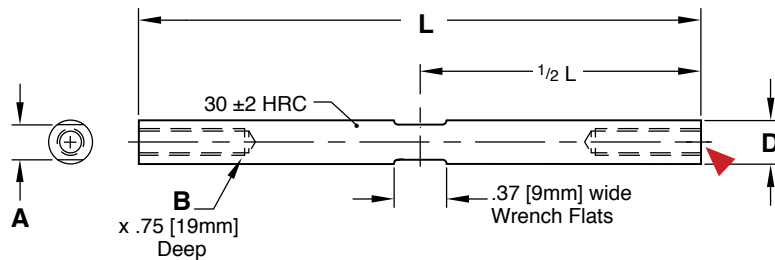
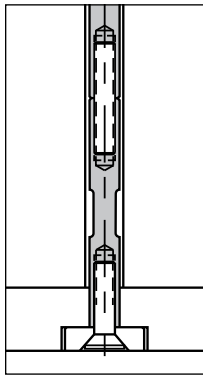
### Metric Standard

CATALOG NUMBER	W +.05 -.00	D ±.25	B +.025 -.000	C +.025 -.000	H	K	T THREAD
FCWBM-6	6.2	7.2	15.9	13.55	25.4	2.9	M5-0.8
FCWBM-8	8.2	7.2	15.9	13.55	25.4	2.9	M6-1
FCWBM-10	10.2	7.2	14.4	12.05	25.4	2.9	M6-1
FCWBM-12	12.2	7.2	14.4	12.05	25.4	2.9	M6-1
FCWBM-14	14.2	8.0	15.2	12.11	33.2	3.5	M6-1
FCWBM-16	16.2	8.0	15.2	12.11	33.2	3.5	M6-1

▶ CAD insertion point



## EXTENSIONS



### Inch Standard

**M** 4140 Pre-Hard

D +.000 -.005	B	A	L +.01 -.00	
			2"	4"
.232	#8-32	.187	FCX8L2	FCX8L4
.310	#10-24	.250	FCX10L2	FCX10L4

Includes threaded stud for attachment to FlexiCore.

### Metric Standard

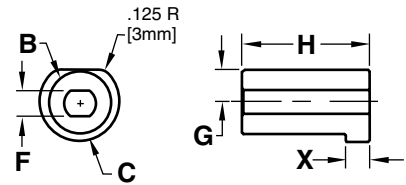
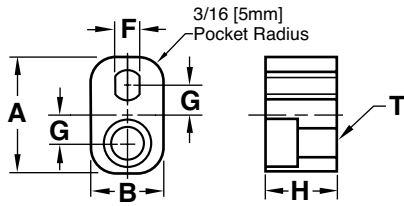
**M** 4140 Pre-Hard

▶ CAD insertion point

D +.00 -.12	B	A	L +.25 -.00	
			50MM	100MM
6	M4-7	4.8	FCXM4L50	FCXM4L100
8	M5-8	6.3	FCXM5L50	FCXM5L100



# FLEXICORE™ ACCESSORIES REPLACEMENT GUIDES



## Bottom Guides: Inch/Metric Standard

**M** CA954 Solid Bronze

CATALOG NUMBER	A	B	H	F	G	T
<b>FCBG-24</b>	1.000	.625	.625	.190	.250	1/4-20
<b>FCBG-32</b>	1.000	.625	.625	.200	.250	1/4-20
<b>FCBG-40</b>	1.000	.625	.625	.290	.250	1/4-20
<b>FCBG-6</b>	25	16	16	4.8	6	M6-1
<b>FCBG-8</b>	25	16	16	5.0	6	M6-1
<b>FCBG-10</b>	25	16	16	7.3	6	M6-1

Screws included.

## Round Guides: Inch/Metric Standard

**M** CA954 Solid Bronze

CATALOG NUMBER	B	C	H	F	X	G
<b>FCRG-24</b>	.5000	.625	1.000	.190	.187	.250
<b>FCRG-32</b>	.5000	.625	1.000	.200	.187	.250
<b>FCRG-40</b>	.6250	.750	1.000	.290	.187	.312
<b>FCRG-6</b>	12	16	25	4.8	5	6
<b>FCRG-8</b>	12	16	25	5.0	5	6
<b>FCRG-10</b>	16	20	25	7.3	5	8

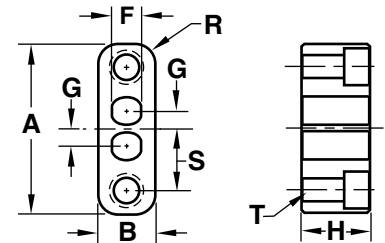
Screws included.

## Double Actuation: Inch/Metric Standard

**M** CA954 Solid Bronze

CATALOG NUMBER	A	B	H	F	G	R	S	T
<b>FCDBG-24</b>	1.750	.625	.750	.190	.136	.218	.636	1/4-20
<b>FCDBG-48</b>	1.875	.625	.750	.290	.176	.218	.676	1/4-20
<b>FCDBG-6</b>	45	16	20	4.8	3.5	5	15.5	M6-1
<b>FCDBG-12</b>	48	16	20	7.3	4.5	5	16.5	M6-1

Screws included.



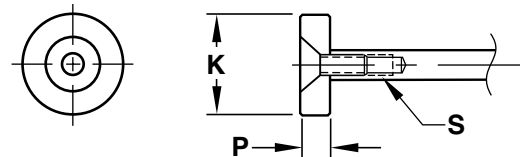
## REPLACEMENT HEEL PLATES

### Inch/Metric Standard

**M** 4140 Pre-Hard **H** Black Oxide

CATALOG NUMBER	K	P	S (INCLUDED)
<b>FCHP-8</b>	.61	.188	#8-32 x 3/8
<b>FCHP-10</b>	.61	.188	#10-24 x 1/2
<b>FCHP-4</b>	16	4	M4-0.7 x 12
<b>FCHP-5</b>	16	4	M5-0.8 x 14

Screws included.

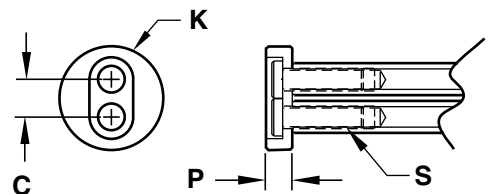


### Double Actuation: Inch/Metric Standard

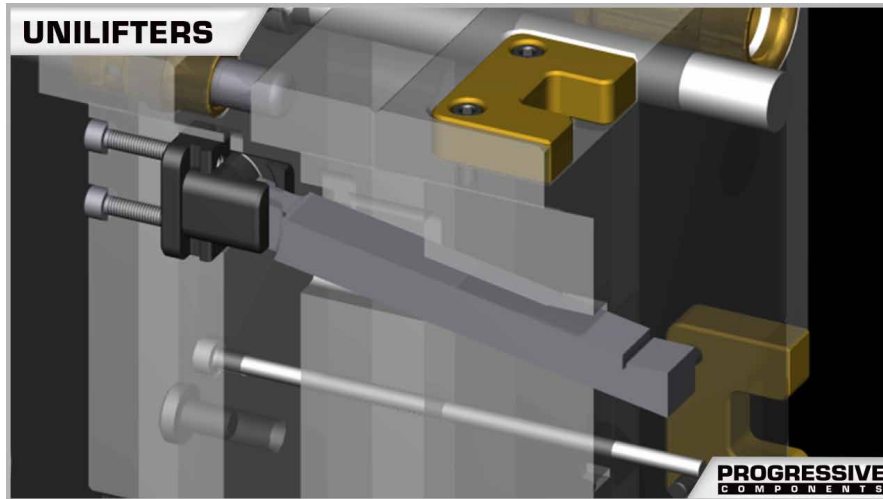
**M** 4140 Pre-Hard **H** Black Oxide

CATALOG NUMBER	C	K	P	S (INCLUDED)
<b>FCDHP-8</b>	.272	.750	.188	#8-32 x 3/8
<b>FCDHP-10</b>	.352	.875	.188	#10-24 x 1/2
<b>FCDHP-4</b>	7	20	6	M4-0.7 x 12
<b>FCDHP-5</b>	9	22	6	M5-0.8 x 14

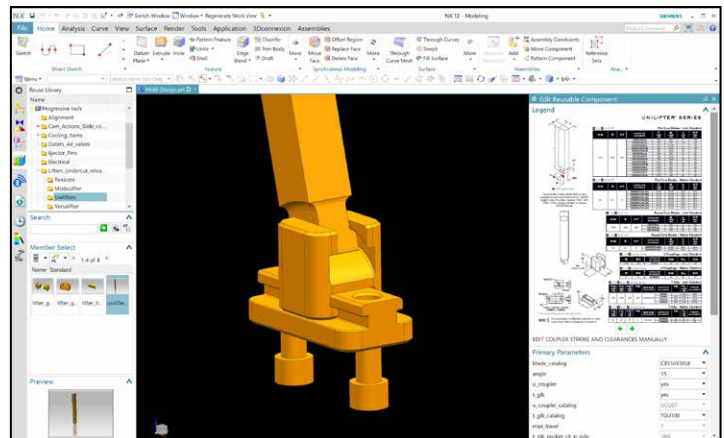
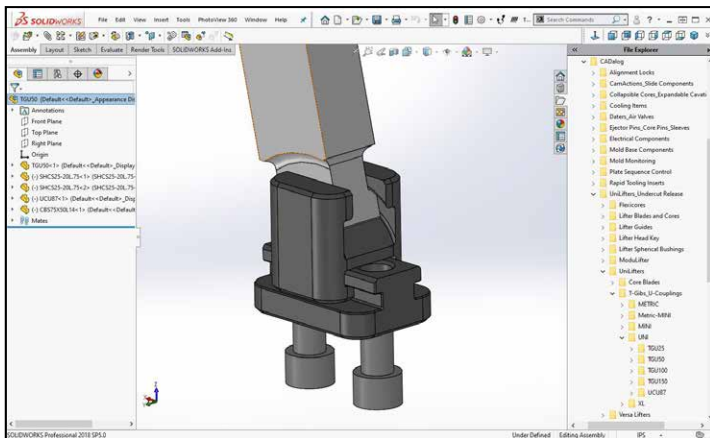
Screws included.



# ONLINE RESOURCES



When considering design options, numerous animations can be viewed at [procomps.com/animations](http://procomps.com/animations).



CAD geometry is available online as individual downloads or as part of the CADalog system. The seven formats include: IGES (.igs), ACIS (.sat), STEP (.step), Parasolid (.x\_t), SolidWorks (.sldasm), NX (.prt) (Re-Use and MoldWizard) and Visi (.wfk).

Search by keyword or item

Search

Order
Catalog
0 Items \$0.00

UNILIFTER- UL-SERIES

UNILIFTER- C-SERIES

MODULIFTER

FLEXICORE

VERSA-LIFTER

SPHERICAL BUSHINGS

LIFTER GUIDES & LIFTER HEAD KEYS

© 2022, Progressive Components. All Rights Reserved.

Industry-leading web store expedites the purchasing process. Go to [shop.procomps.com](http://shop.procomps.com) for information and additional resources.