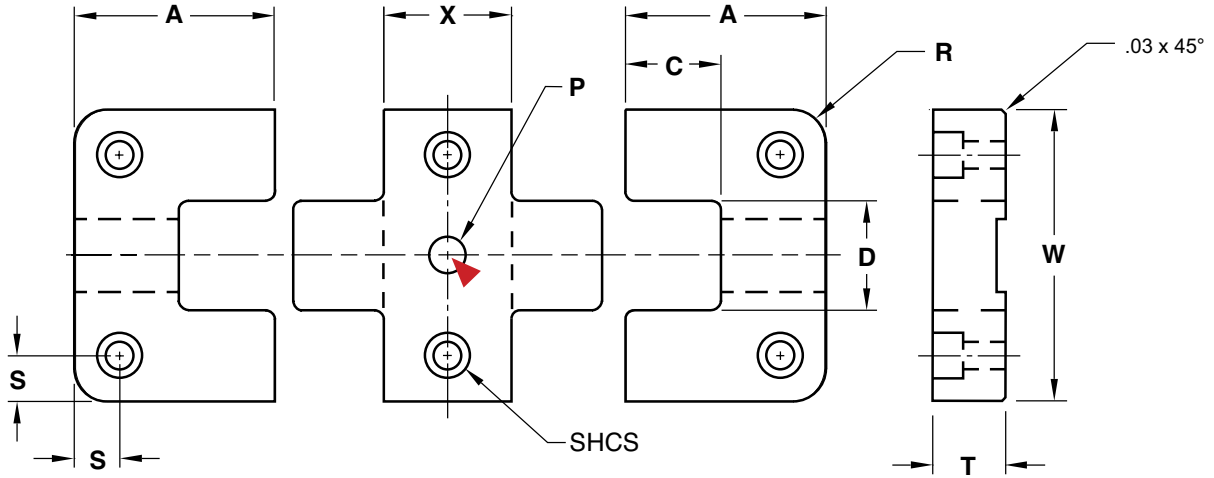




X-STYLE SIDE LOCKS Z-SERIES



Females (2): **M** D-2 **H** Core: 58-62 HRC, Surface: 80 HRC **S** Titanium Nitride Coated
 Male: **M** H-13 **H** Core: 42-48 HRC, Surface: 70 HRC **S** Black Nitride

CAD insertion point

CATALOG NUMBER	T +.000 -.002	W +.0000 -.0004	X +.000 -.002	A +.000 -.002	C ±.01	D .0001/.0003 CLEARANCE PER SIDE	R POCKET RADIUS	S ±.01	P +.001 -.000	SHCS
SLX50X87	.500	2.000	.875	1.375	.87	.750	.187	.31	.250	#10-32 x 5/8
SLX75X137	.750	3.000	1.375	1.875	1.18	1.250	.250	.37	.313	1/4-20 x 3/4
SLX75X187	.750	3.000	1.875	1.875	1.18	1.250	.250	.37	.313	1/4-20 x 3/4
SLX100X137	1.000	4.000	1.375	2.375	1.43	1.500	.500	.50	.375	3/8-16 x 1

Screws included.

ALTERNATIVE CONFIGURATIONS AVAILABLE

- Made-to-order Side Locks can be quoted using the templates at procomps.com.

Examples of Shuttle Mold configurations:

2 Female Inserts : 1 Male Insert

To order, specify "-SF" after the catalog number of the lock.
 Examples: SL50X200-SF GL100X150-SF TL75X125-SF
 TL50X100-R-SF CF31X62-SF CRSM08-SF

2 Male Inserts : 1 Female Insert

To order, specify "-SM" after the catalog number of the lock.
 Example: SL75X300-SM GL250X450-SM TL112X200-SM
 TL150X250-R-SM CF31X62-SM CRSM08-SM

Individual males and females and special configurations (Ex. 4M:1F) are available. Contact Customer Service for pricing and availability.

SHUTTLE MOLD SETS

